

# CUES PARTS CATALOG - Portable Systems

v12.2024



CONFIGURATION LIST	
PART NUMBER	DESCRIPTION
QT314	QZ3 BASIC W 24FT POLE
QT314-1	QZ3 BASIC W 34FT POLE
QT314-2	QZ3 BASIC CE MARK W 24FT POLE (NO BATT)
QT314-3	QZ3 BASIC CE MARK W 34FT POLE (NO BATT)

<b>QZ3 BASIC WITH 24FT POLE, P/N QT314</b>			
ITEM #	DESCRIPTION	PART NUMBER	QUANTITY
101	QZ3 - TRANSPORTATION CASE	QT325	1
102	CABLE, BATTERY PWR	QT340	1
401	LENS CLOTH	CS675	1
402	ANTI-FOG SOLUTION	HW2464	1
801	QZ3 - LABEL	TR621	1
802	DECAL, QZ3 CASE	QT062	1
901	CAMERA HEAD, QZ3	QT301	1
903	POLE ASSY, 24FT 6 SECTION	QT310	1
905	QR CODE – USER GUIDE	MS900	1
907	CHARGER,DEWALT DUAL 12V-20V LI-ION	EC3844	1
908	BATTERY BOX ASSEMBLY, DEWALT STYLE	QT328	1
909	BATTERY,DW-DRILL,4AH(20V-LION)	HW4061	1

<b>QZ3 BASIC WITH 34FT POLE, P/N QT314-1</b>			
ITEM #	DESCRIPTION	PART NUMBER	QUANTITY
101	QZ3 - TRANSPORTATION CASE	QT325	1
102	CABLE, BATTERY PWR	QT340	1
401	LENS CLOTH	CS675	1
402	ANTI-FOG SOLUTION	HW2464	1
801	QZ3 - LABEL	TR621	1
802	DECAL, QZ3 CASE	QT062	1
901	CAMERA HEAD, QZ3	QT301	1
904	POLE ASSY, 34 FT 6 SECTION	QT310-1	1
905	QR CODE – USER GUIDE	MS900	1
907	CHARGER,DEWALT DUAL 12V-20V LI-ION	EC3844	1
908	BATTERY BOX ASSEMBLY, DEWALT STYLE	QT328	1
909	BATTERY,DW-DRILL,4AH(20V-LION)	HW4061	1

**QZ3 BASIC**

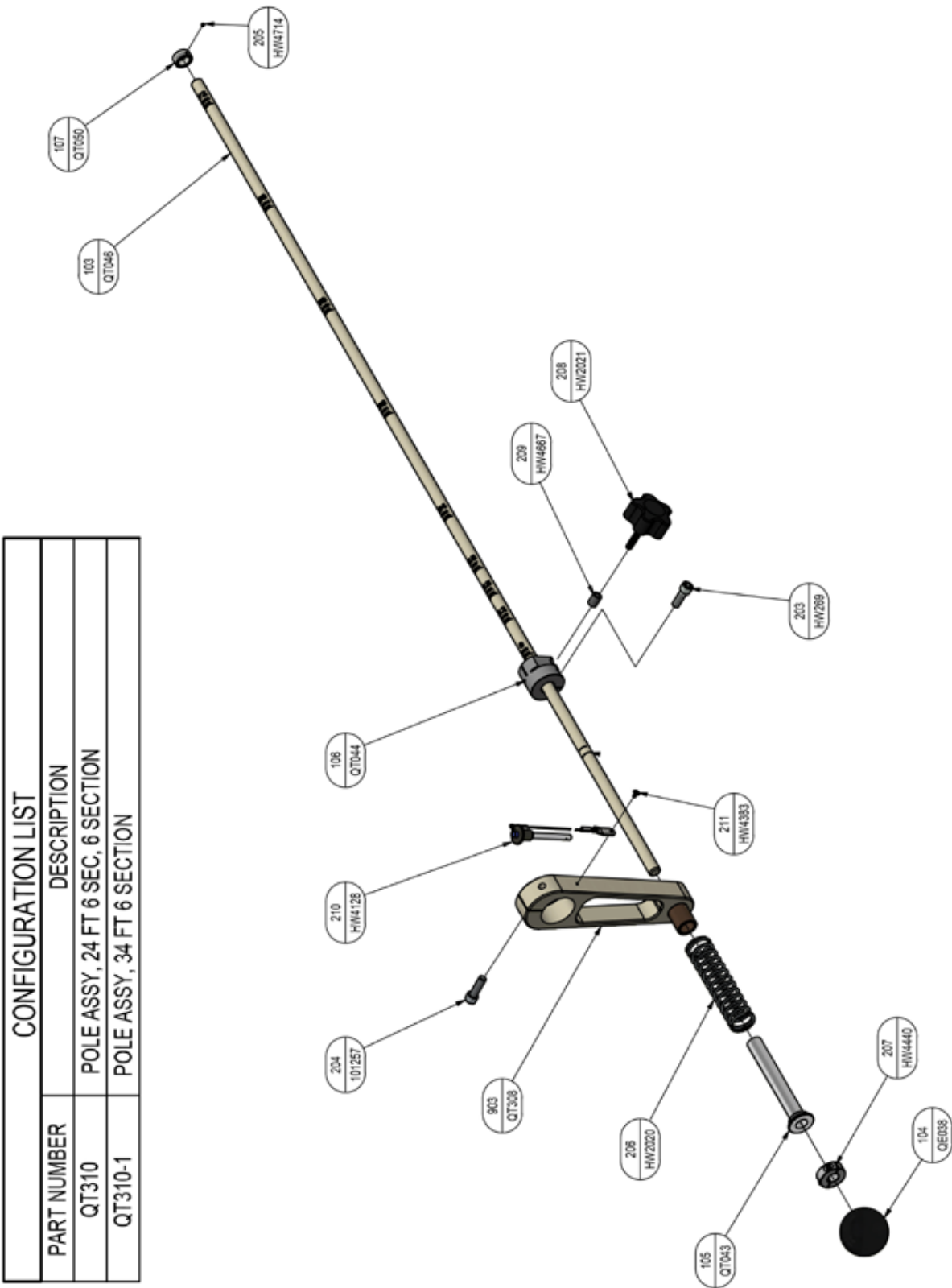


**QZ3 BASIC CE MARK W 24FT POLE (NO BATT), P/N QT314-2**

ITEM #	DESCRIPTION	PART NUMBER	QUANTITY
101	QZ3 - TRANSPORTATION CASE	QT325	1
102	CABLE, BATTERY PWR	QT340	1
401	LENS CLOTH	CS675	1
402	ANTI-FOG SOLUTION	HW2464	1
801	QZ3 - LABEL	TR621	1
802	DECAL, QZ3 CASE	QT062	1
901	CAMERA HEAD, QZ3	QT301	1
903	POLE ASSY, 24FT 6 SECTION	QT310	1
905	QR CODE – USER GUIDE	MS900	1
907	CHARGER,DEWALT DUAL 12V-20V LI-ION	EC3844	1
908	BATTERY BOX ASSEMBLY, DEWALT STYLE	QT328	1
909	BATTERY,DW-DRILL,4AH(20V-LION)	HW4061	1

**QZ3 BASIC CE MARK W 34FT POLE (NO BATT), P/N QT314-3**

ITEM #	DESCRIPTION	PART NUMBER	QUANTITY
101	QZ3 - TRANSPORTATION CASE	QT325	1
102	CABLE, BATTERY PWR	QT340	1
401	LENS CLOTH	CS675	1
402	ANTI-FOG SOLUTION	HW2464	1
801	QZ3 - LABEL	TR621	1
802	DECAL, QZ3 CASE	QT062	1
901	CAMERA HEAD, QZ3	QT301	1
904	POLE ASSY, 34 FT 6 SECTION	QT310-1	1
905	QR CODE – USER GUIDE	MS900	1
907	CHARGER,DEWALT DUAL 12V-20V LI-ION	EC3844	1
908	BATTERY BOX ASSEMBLY, DEWALT STYLE	QT328	1
909	BATTERY,DW-DRILL,4AH(20V-LION)	HW4061	1



CONFIGURATION LIST	
PART NUMBER	DESCRIPTION
QT310	POLE ASSY, 24 FT 6 SEC, 6 SECTION
QT310-1	POLE ASSY, 34 FT 6 SECTION

Figure 1. POLE ASSY, QZ3, P/N QT310



Figure 1a. POLE ASSY, QZ3, P/N QT310

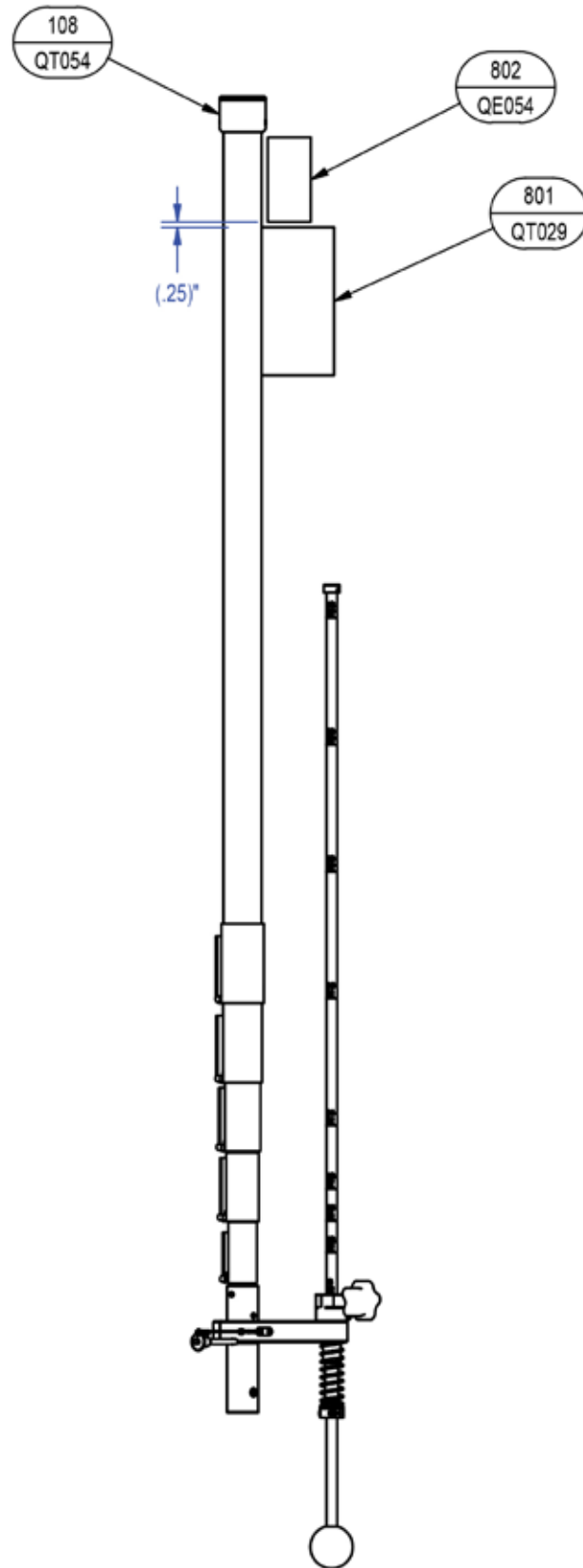
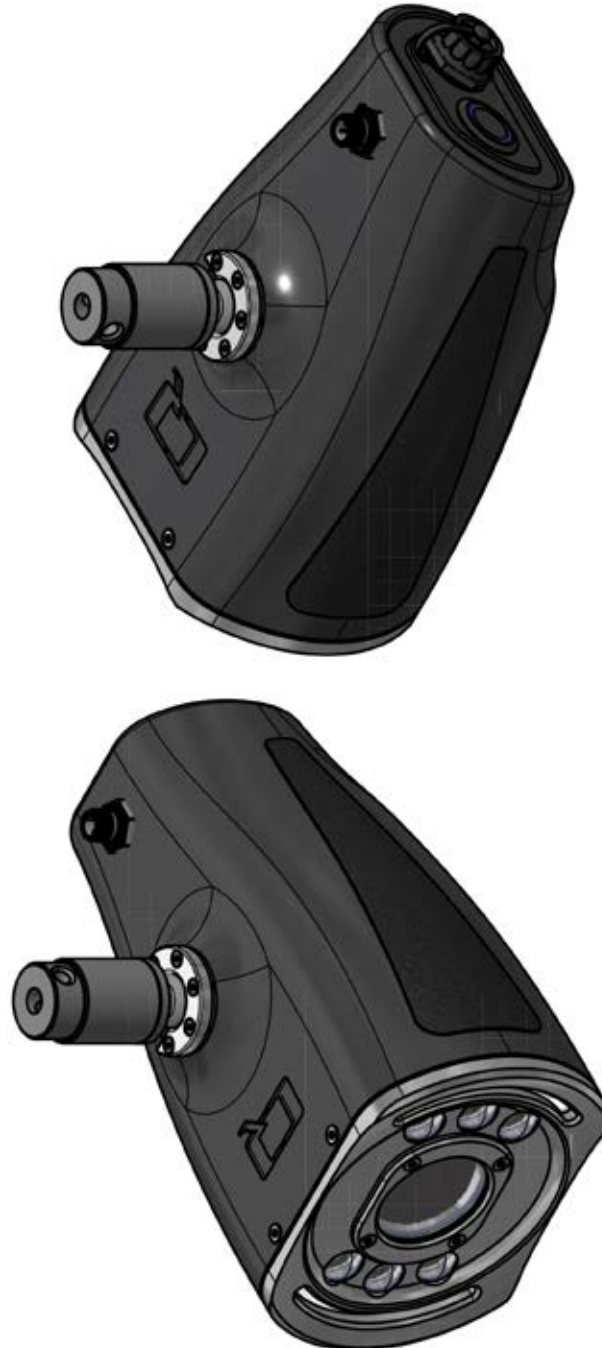


Figure 1b. POLE ASSY, QZ3, P/N QT310

<b><i>POLE ASSY, QZ3, See Figure 1 (Rev. -), P/N QT310</i></b>			
<b>ITEM #</b>	<b>DESCRIPTION</b>	<b>PART NUMBER</b>	<b>QUANTITY</b>
1	MRO-REMOVABLE LCK,ND 121200-2,BLUE	CS036	1
2	MRO-GASKET MAKER,FASTGASKET,BLK	445067	1
3	MRO,2PRT-EPXY,15MIN,PLSTC-BNDR,BLK	CS673	1
101	ADAPTER, CAMERA/POLE, QZ3	QT041	1
103	ROD, DEPTH, POLE CAMERA, QZ3	QT046	1
104	BALL,STABILIZER,QZ2	QE038	1
105	TUBE, SPRING HOLDER, QZ3	QT043	1
106	COLLAR, ROD CLAMP, QZ3	QT044	1
107	CAP, DEPTH ROD STOP	QT050	1
108	ADAPTER, POLE CAP	QT054	1
109	CAP, POLE	QT058	1
201	PIN,MOD,SPRG COIL,1/4"X.325L,SS,QZ2	QE070	6
203	SCREW,SHCS,5/16-18X7/8,SST	HW269	1
204	SCREW,CAP,SKT HD,5/16-18X1,SST	101257	1
205	SCREW,SET,KNURL-CUP-PNT,M3X3LG,SST	HW4714	1
206	SPRING,COMPRESS,1.100X0.876X4.5L,SS	HW2020	1
207	COLLAR, SHAFT 2PC 0.5IN	HW4440	1
208	KNOB,STAR SHAPED,1/4"-20THRDX1.25"L	HW2021	1
209	SPACER, .375ODX.257IDX.5L BLK ANODZ	HW4667	1
210	PIN,P.B.Q.R. 1/4X1.75LG,SST,W/LNYRD	HW4128	1
211	SCREW, BHC, FLNG,M3 X 6MMLG,SST,BLK	HW4383	1
401	O-RING,2-225,1.859IDX0.139,BUNA	HW4771	1
801	DECAL, QZ3 POLE	QT029	1
802	DECAL,DANGER POWER LINES,QZ2	QE054	1
901	POLE,CARBON FIBER,6 SEC,4.78-23.18'	QE047-2	1
903	ASSY, STABILIZER ARM W BUSHING, QZ3	QT308	1



*Figure 2. CAMERA HEAD, QZ3, P/N QT301*



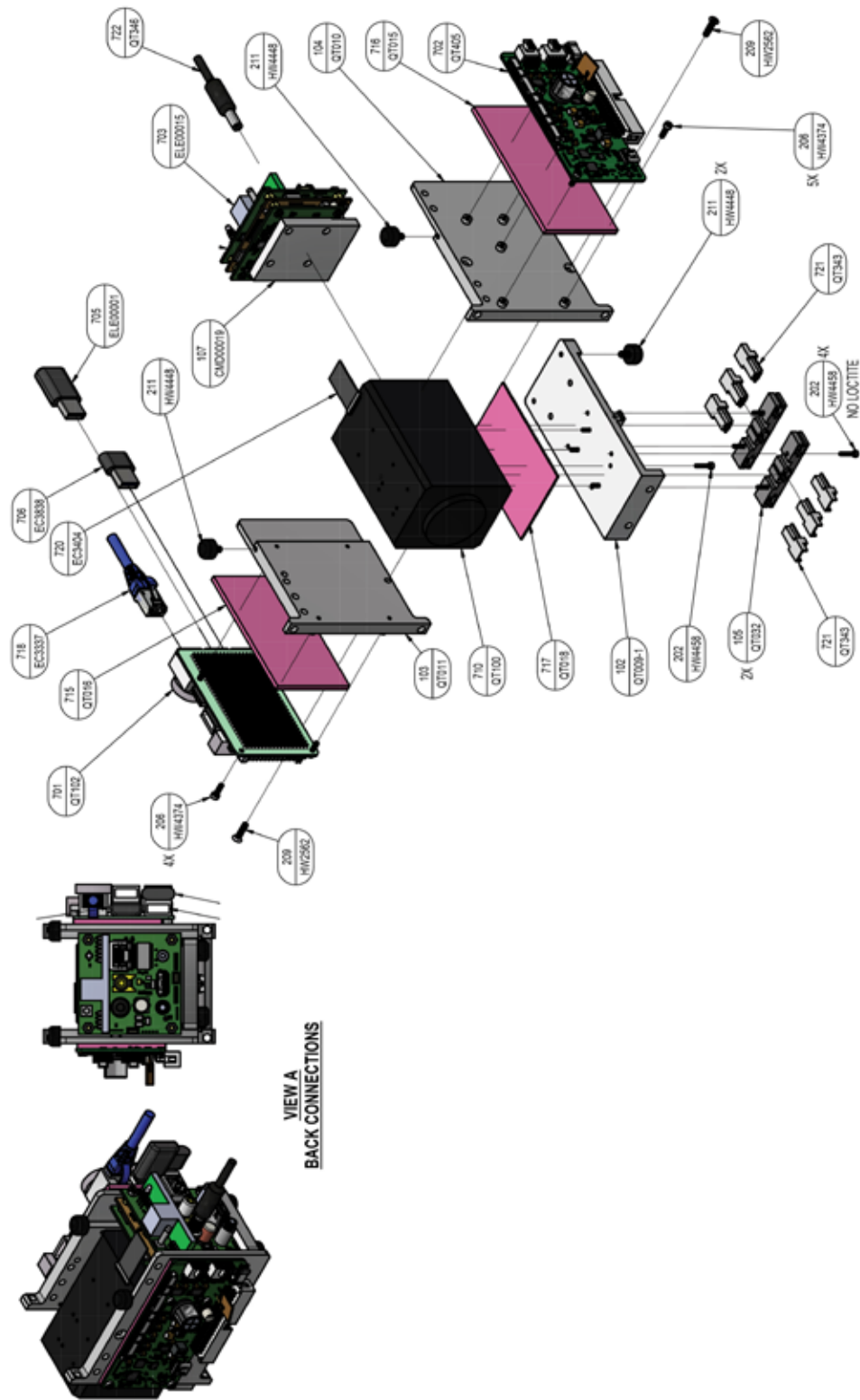
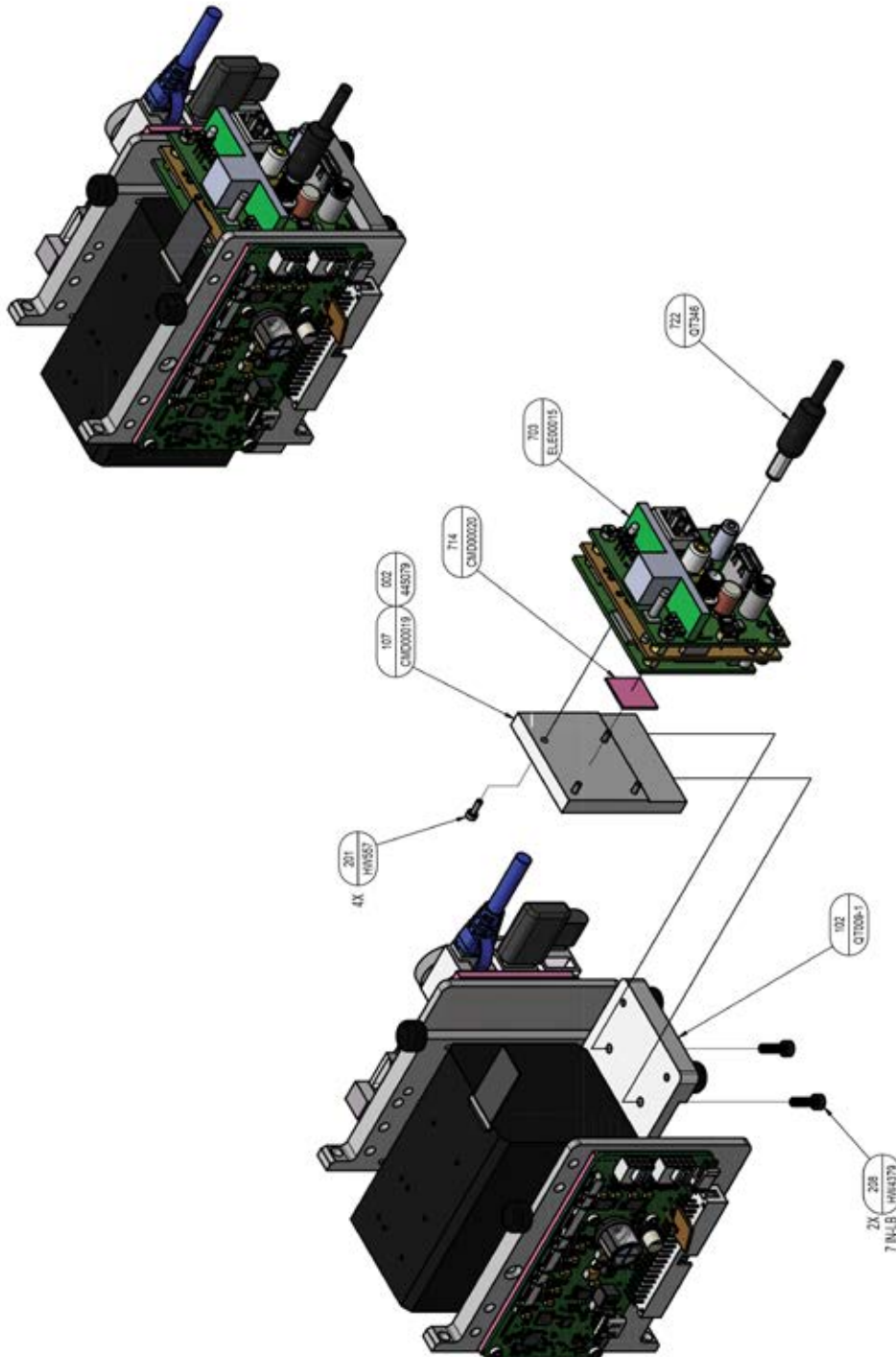


Figure 2a. CAMERA HEAD, QZ3, P/N QT301



*Figure 2b. CAMERA HEAD, QZ3, P/N QT301*

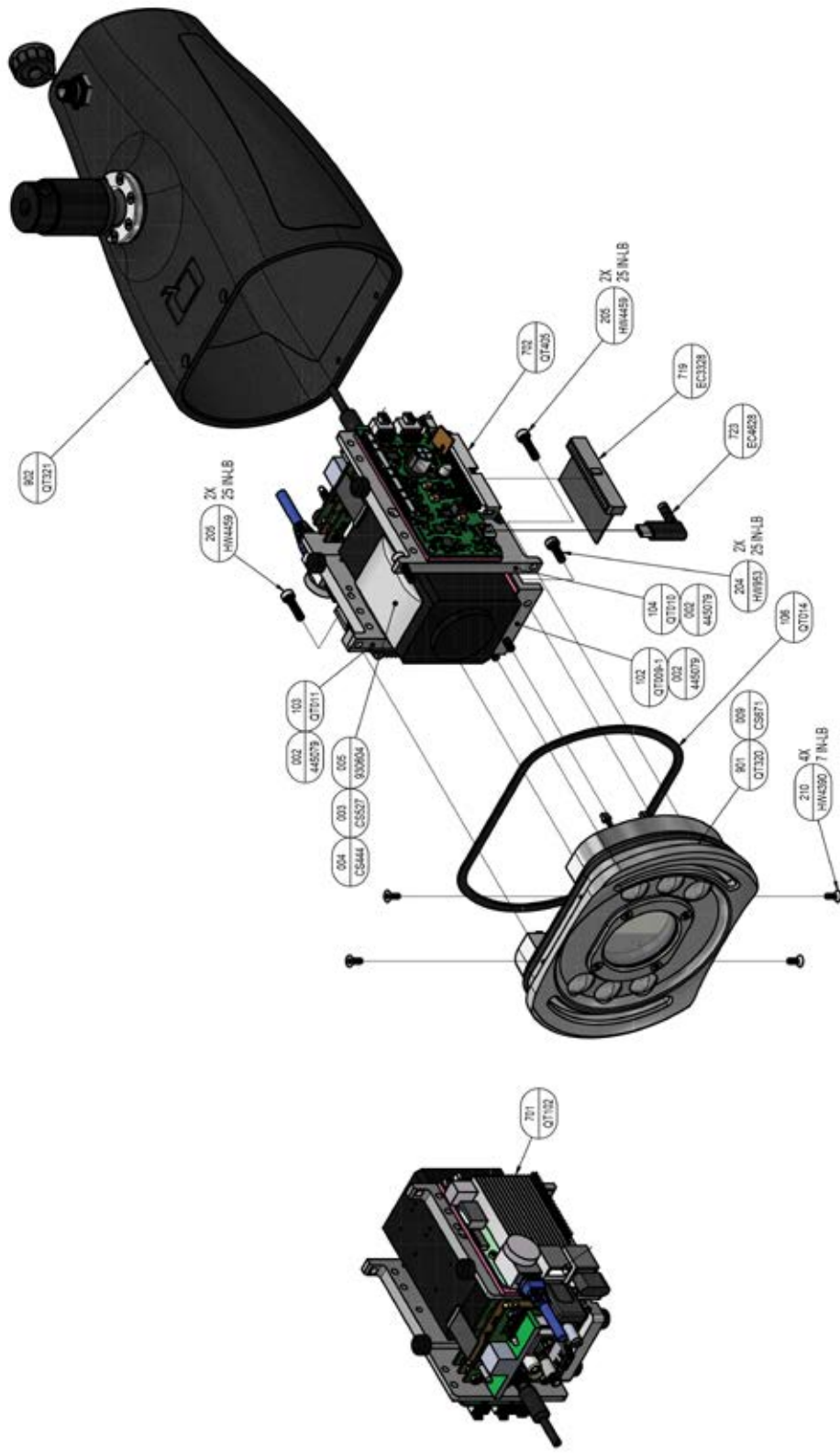


Figure 2c. CAMERA HEAD, QZ3, P/N QT301

<b><i>CAMERA HEAD, QZ3, (SEE FIGURE 2), P/N QT301, Rev. A</i></b>			
ITEM #	Description	Part Number	Quantity
1	MRO-REMOVABLE LCK,ND 121200-50,BLUE	440061	1
2	MRO-COMPOUND,SILCONE HEATSINK	445079	1
3	MRO-MOUNT,CABLE TIE,BLACK	CS527	1
4	MRO-TIE,CABLE,3/32" X 4",BLACK	CS444	1
5	DESICCANT,7G SEIVE, N/S,SELL MS922	930604	1
6	MRO-GOOP,AUTOMOTIVE 3.7 OZ TUBE	420802	1
7	LUBE,ORING, SUPER O LUBE, 2 OZ TUBE	439986	1
8	MRO-LOCTITE 42540 F/PLASTIC	429791	1
9	MRO-GASKET SEALANT,HYLOMR BLUE,100G	CS671	1
10	MRO-CLEANER,CONTACT,DEOXIT GLD,25ML	CS498	1
102	CAMERA BRACKET - ADVANCED	QT009-1	1
103	BRACE,RIGHT BOARD	QT011	1
104	BRACE,LEFT BOARD	QT010	1
105	BRACKET,LED INTERCONNECT	QT032	2
106	GASKET, BEZEL SEAL	QT014	1
107	ENCODER PCB BRACKET	CMD00019	1
201	SCREW,CAP,SKT,M2 X 6MM LG,SS	HW557	4
202	SCREW, SKT HD M2 X 10MM LG SST	HW4458	8
204	SCREW,CAP,SKT HD,M4-0.7X12MMLG,SST	HW953	2
205	SCREW, SKT HD M4 X 16MM LG SST	HW4459	4
206	SCREW, SHCS, M2.5 X 8MM LG, SST	HW4374	9
208	SCREW, SHCS, M3 X 10MM LG, SST, BLK	HW4379	2
209	SCREW,FLAT,PHIL,M3-0.5X12MM,SST	HW2562	2
210	SCREW,FHC,TORX,SAFTY,M3 X 8MMLG,SST	HW4390	4
211	BUMPER, RUBBER 6-32 STUD	HW4448	4
701	CPU, SINGLE BOARD COMPUTER	QT102	1
702	PCB, POWER BOARD QZ3 ADV	QT405	1
703	ENCODER, DUAL CAMERA, 3G-SDI, QZ3	ELE00015	1
705	USB, TP Link TL-WN823N v3 Wi-Fi Adapter	ELE00001	1
706	FLASH DRIVE, USB3.1 128GB HI-TEMP	EC3838	1
710	CAMERA, SONY BLOCK HD QZ3	QT100	1
714	GAP PAD, ENCODER PCB	CMD00020	1
715	GAP PAD,CPU	QT016	1
716	GAP PAD,PWR BOARD	QT015	1
717	GAP PAD, CAMERA	QT018	1
718	CABLE, RJ45 ETHERNET 0.67FT BLUE	EC3337	1
719	RIBBON CABLE, 40 PIN	EC3328	1

<i><b>CAMERA HEAD, QZ3, (SEE FIGURE 2), P/N QT301, Rev. A</b></i>			
<b>ITEM #</b>	<b>Description</b>	<b>Part Number</b>	<b>Quantity</b>
720	CABLE, VIDEO BLK KEL	EC3404	1
721	CABLE, LED INTERCONNECT	QT343	2
722	CABLE, CAMERA DRIVER PWR	QT346	1
723	CABLE USB A-C,CHRG. RIGHT ANGLE 1'L	EC4628	1
901	BEZEL-LIGHTHEAD ASSY, QZ3	QT320	1
902	HOUSING ASSEMBLY, QZ3	QT321	1

CONFIGURATION LIST	
PART NUMBER	DESCRIPTION
QT324	QZ3 ADV W 24FT POLE
QT324-1	QZ3 ADV W 34FT POLE
QT324-2	QZ3 ADV CE MARK W 24FT POLE (NO BATT)
QT324-3	QZ3 ADV CE MARK W 34FT POLE (NO BATT)

<b>QZ3 ADVANCED WITH 24FT POLE, P/N QT324</b>			
ITEM #	DESCRIPTION	PART NUMBER	QUANTITY
101	QZ3 - TRANSPORTATION CASE	QT325	1
102	CABLE, BATTERY PWR	QT340	1
401	LENS CLOTH	CS675	1
402	ANTI-FOG SOLUTION	HW2464	1
801	QZ3 - LABEL	TR621	1
802	DECAL, QZ3 CASE	QT062	1
901	CAMERA HEAD, QZ3 ADVANCED	QT302	1
903	POLE ASSY, 24FT, QZ3 ADVANCED	QT315	1
905	QR CODE – USER GUIDE	MS900	1
907	CHARGER,DEWALT DUAL 12V-20V LI-ION	EC3844	1
908	BATTERY BOX ASSEMBLY, DEWALT STYLE	QT328	1
909	BATTERY,DW-DRILL,4AH(20V-LION)	HW4061	1
910	EXTENSION, HEIGHT ADJUSTMENT QZ3	QT316	1

<b>QZ3 ADVANCED WITH 34FT POLE, P/N QT324-1</b>			
ITEM #	DESCRIPTION	PART NUMBER	QUANTITY
101	QZ3 - TRANSPORTATION CASE	QT325	1
102	CABLE, BATTERY PWR	QT340	1
401	LENS CLOTH	CS675	1
402	ANTI-FOG SOLUTION	HW2464	1
801	QZ3 - LABEL	TR621	1
802	DECAL, QZ3 CASE	QT062	1
901	CAMERA HEAD, QZ3 ADVANCED	QT302	1
904	POLE ASSY, 34FT, QZ3 ADVANCED	QT315-1	1
905	QR CODE – USER GUIDE	MS900	1
907	CHARGER,DEWALT DUAL 12V-20V LI-ION	EC3844	1
908	BATTERY BOX ASSEMBLY, DEWALT STYLE	QT328	1
909	BATTERY,DW-DRILL,4AH(20V-LION)	HW4061	1
910	EXTENSION, HEIGHT ADJUSTMENT QZ3	QT316	1

<b>QZ3 ADVANCED CE MARK, WITH 24FT POLE, NO BATT, P/N QT324-2</b>			
ITEM #	DESCRIPTION	PART NUMBER	QUANTITY
101	QZ3 - TRANSPORTATION CASE	QT325	1
102	CABLE, BATTERY PWR	QT340	1
401	LENS CLOTH	CS675	1
402	ANTI-FOG SOLUTION	HW2464	1
801	QZ3 - LABEL	TR621	1
802	DECAL, QZ3 CASE	QT062	1
901	CAMERA HEAD, QZ3 ADVANCED	QT302	1
903	POLE ASSY, 24FT, QZ3 ADVANCED	QT315	1
905	QR CODE – USER GUIDE	MS900	1
907	CHARGER,DEWALT DUAL 12V-20V LI-ION	EC3844	1
908	BATTERY BOX ASSEMBLY, DEWALT STYLE	QT328	1
910	EXTENSION, HEIGHT ADJUSTMENT QZ3	QT316	1

<b>QZ3 ADVANCED CE MARK, WITH 34FT POLE, NO BATT, P/N QT324-3</b>			
ITEM #	DESCRIPTION	PART NUMBER	QUANTITY
101	QZ3 - TRANSPORTATION CASE	QT325	1
102	CABLE, BATTERY PWR	QT340	1
401	LENS CLOTH	CS675	1
402	ANTI-FOG SOLUTION	HW2464	1
801	QZ3 - LABEL	TR621	1
802	DECAL, QZ3 CASE	QT062	1
901	CAMERA HEAD, QZ3 ADVANCED	QT302	1
904	POLE ASSY, 34FT, QZ3 ADVANCED	QT315-1	1
905	QR CODE – USER GUIDE	MS900	1
907	CHARGER,DEWALT DUAL 12V-20V LI-ION	EC3844	1
908	BATTERY BOX ASSEMBLY, DEWALT STYLE	QT328	1
910	EXTENSION, HEIGHT ADJUSTMENT QZ3	QT316	1



*Figure 3. POLE ASSY, QZ3 ADVANCED, P/N QT315*



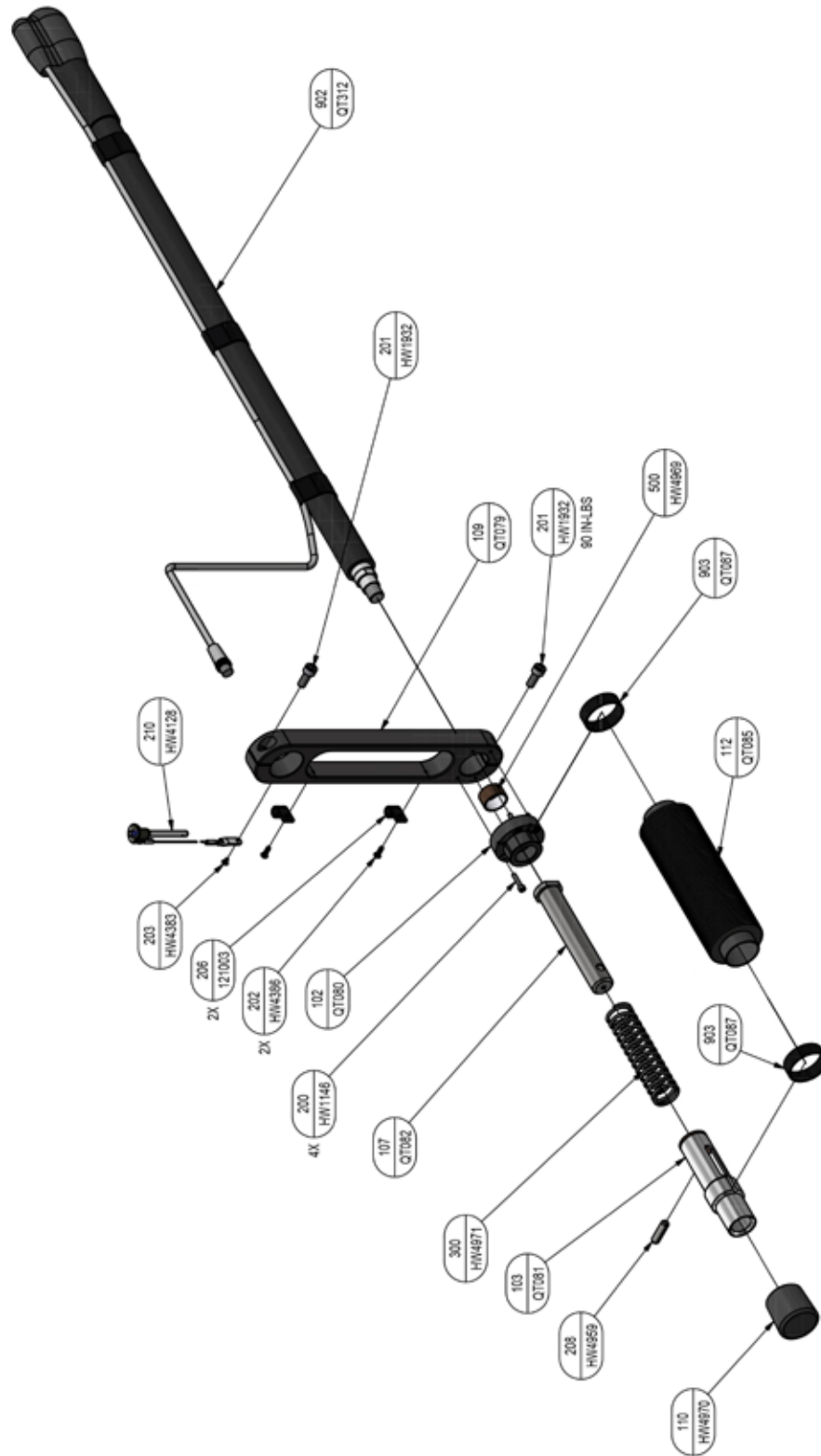


Figure 3a. POLE ASSY, QZ3 ADVANCED, P/N QT315



Figure 3b. POLE ASSY, QZ3 ADVANCED, P/N QT315



Figure 3c. POLE ASSY, QZ3 ADVANCED, P/N QT315

<b>POLE ASSY, QZ3 ADVANCED, (SEE FIGURE 3), P/N QT315, REV. A</b>			
ITEM #	DESCRIPTION	PART NUMBER	QUANTITY
1	MRO-REMOVABLE LCK,ND 121200-50,BLUE	440061	1
101	ADAPTER, CAMERA/POLE, QZ3	QT041	1
102	BEARING BLOCK, HEIGHT ACT	QT080	1
103	POGO BEARING SLEEVE	QT081	1
104	ADAPTER, POLE CAP	QT054	1
105	CAP, POLE	QT058	1
107	POGO ADAPTER, HEIGHT ACT	QT082	1
109	ARM, HEIGHT ADJUST QZ3 ADV	QT079	1
110	RUBBER FEET,1.25 LEG OD,SLIP-ON,BLK	HW4970	1
112	BELLOWS, NITRILE 6.75-32.5IN	QT085	1
2	MRO-GASKET MAKER,FASTGASKET,BLK	445067	1
200	SCREW,SHC,M4 X 20MM LG,SS	HW1146	4
201	SCREW,STD,HEXSKT,M8-1.25X20MM,18-8	HW1932	2
202	SCREW, BHC, TORX,M4 X12MMLG,SST,BLK	HW4386	2
203	SCREW, BHC, FLNG,M3 X 6MMLG,SST,BLK	HW4383	1
206	CLAMP,CABLE NYLON 3/8ID	121003	2
207	PIN,MOD,SPRG COIL,1/4"X.325L,SS,QZ2	QE070	6
208	PIN, SPRING 30 X 8MM, SLOTTED, SST	HW4959	1
210	PIN,P.B.Q.R. 1/4X1.75LG,SST,W/LNYRD	HW4128	1
3	MRO,2PRT-EPXY,15MIN,PLSTC-BNDR,BLK	CS673	1
300	SPRING, 5 LONG, 1.219 OD, 0.969 ID	HW4971	1
4	MRO-PERMANENT LOCK,ND 140500-50,RED	440060	1
401	O-RING,2-225,1.859IDX0.139,BUNA	HW4771	1
500	BEARING,24IDX27.04ODX15,BRZ-PTFE	HW4969	1
801	DECAL, QZ3 POLE	QT029	1
802	DECAL,DANGER POWER LINES,QZ2	QE054	1
901	POLE,CARBON FIBER,6 SEC,4.78-23.18'	QE047-2	1
902	ACTUATOR ASSY, QZ3 ADVANCED	QT312	1
903	POWER GRIP, CLAMP	QT087	2



*Figure 4. CAMERA HEAD, QZ3 ADVANCED, P/N QT302*

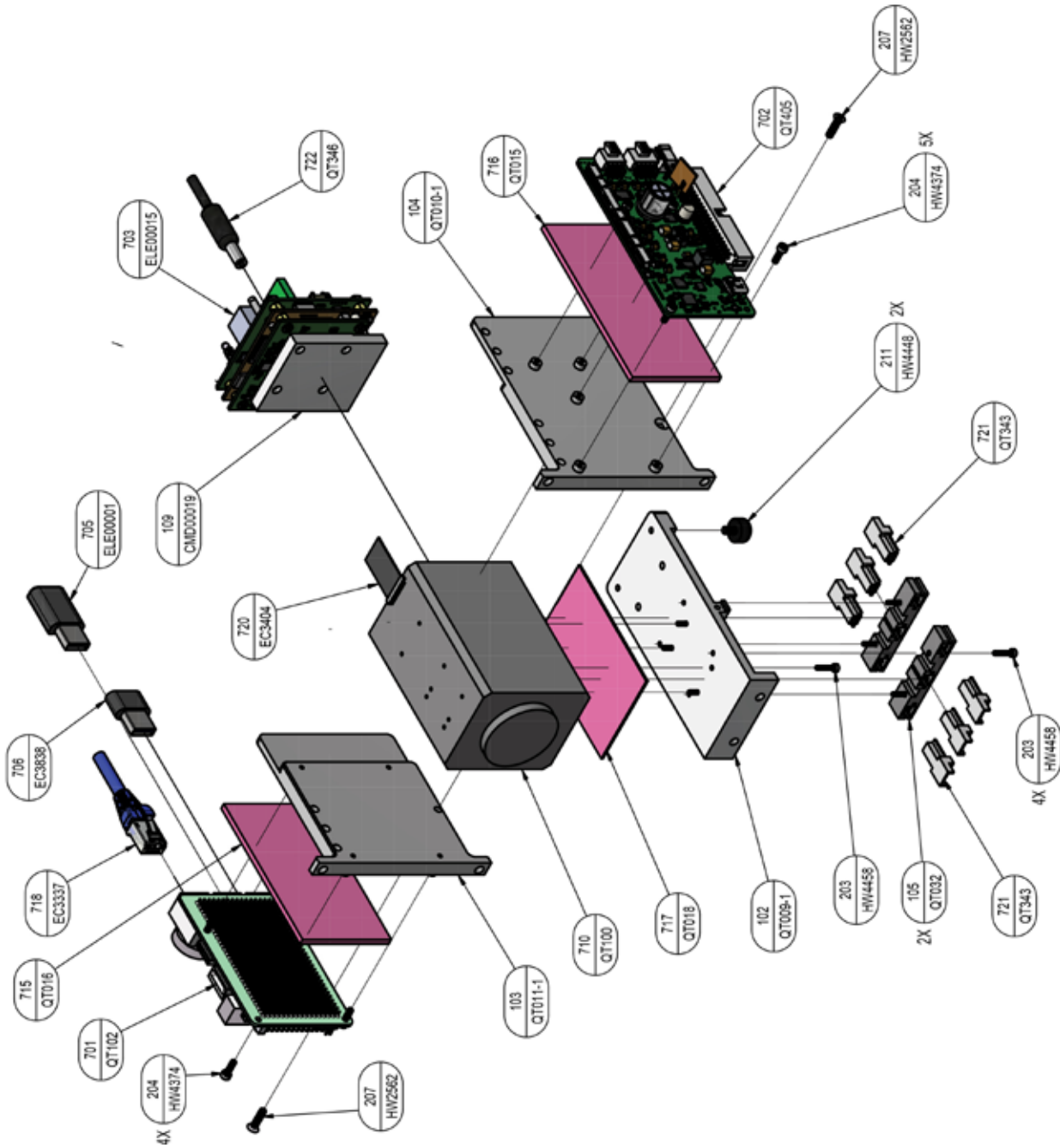


Figure 4a. CAMERA HEAD, QZ3 ADVANCED, P/N QT302

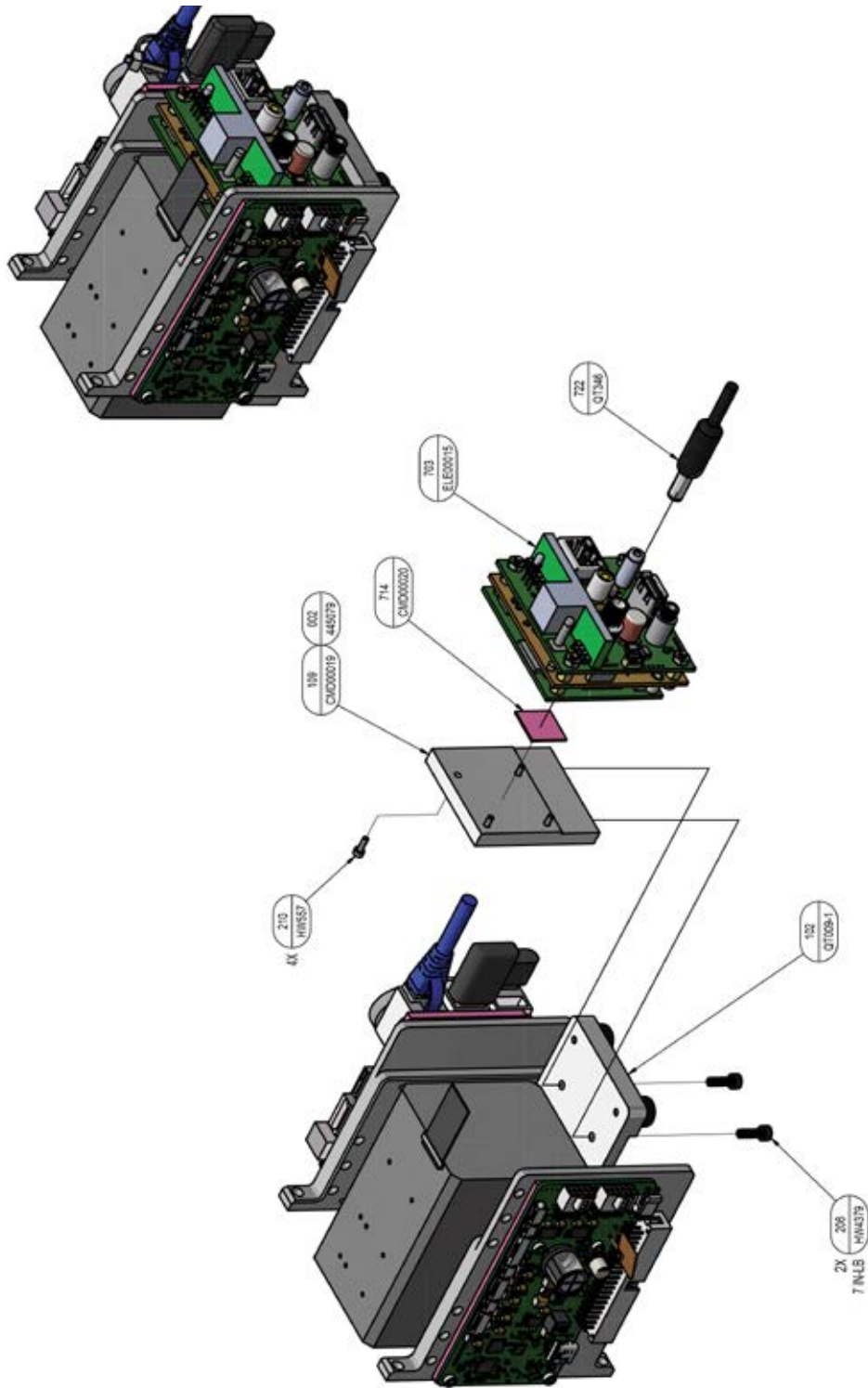


Figure 4b. CAMERA HEAD, QZ3 ADVANCED, P/N QT302

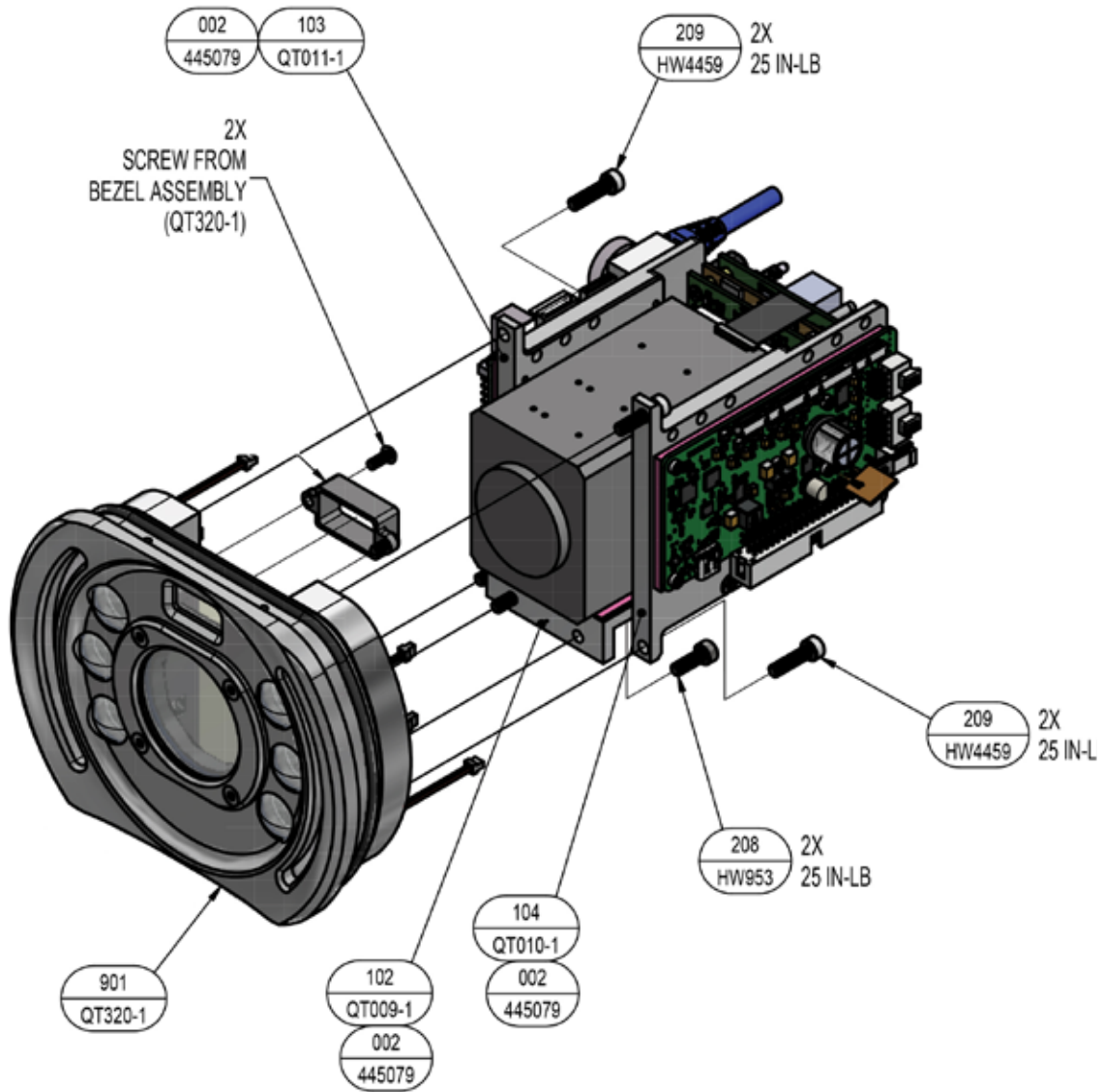


Figure 4c. CAMERA HEAD, QZ3 ADVANCED, P/N QT302



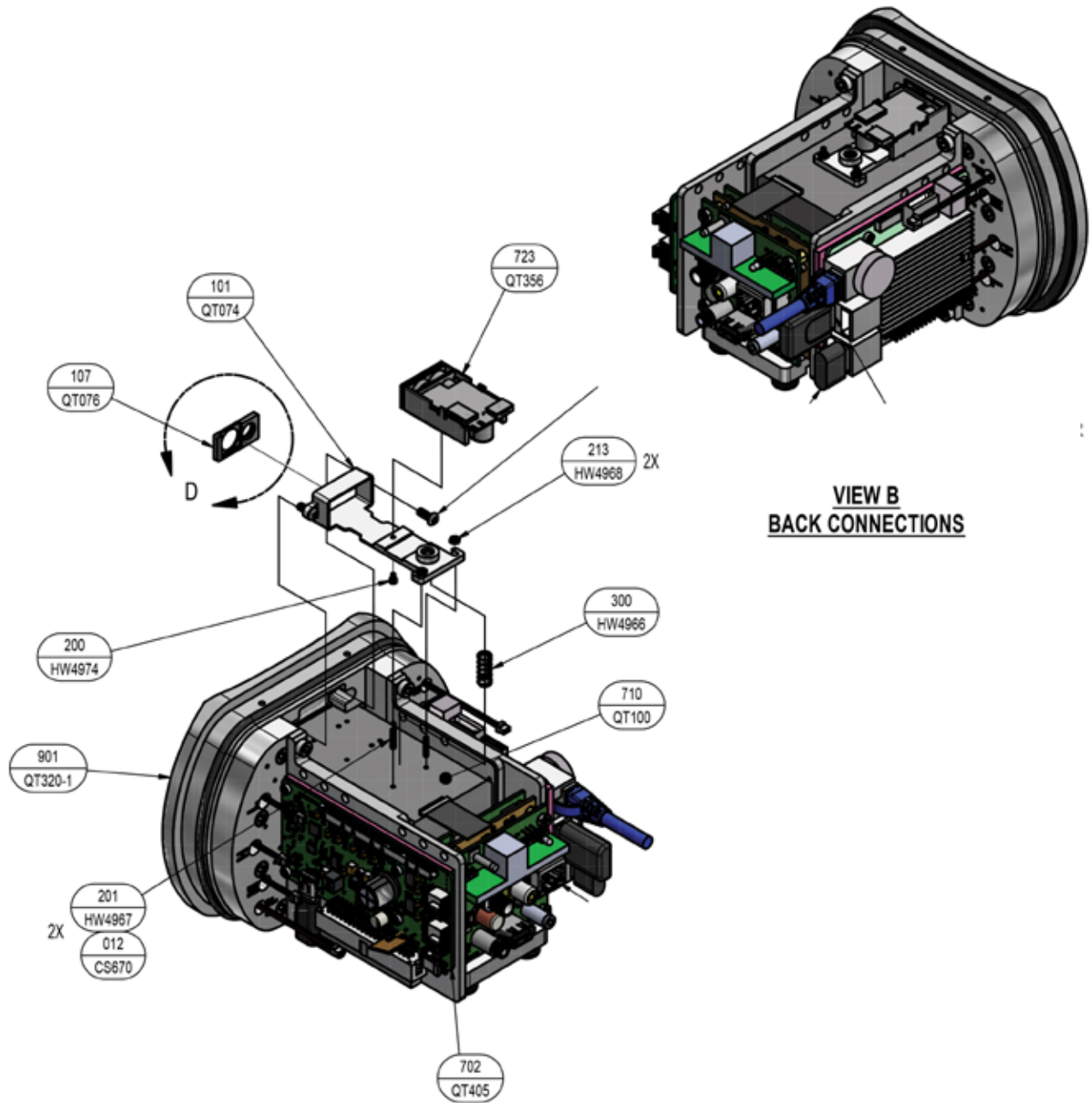
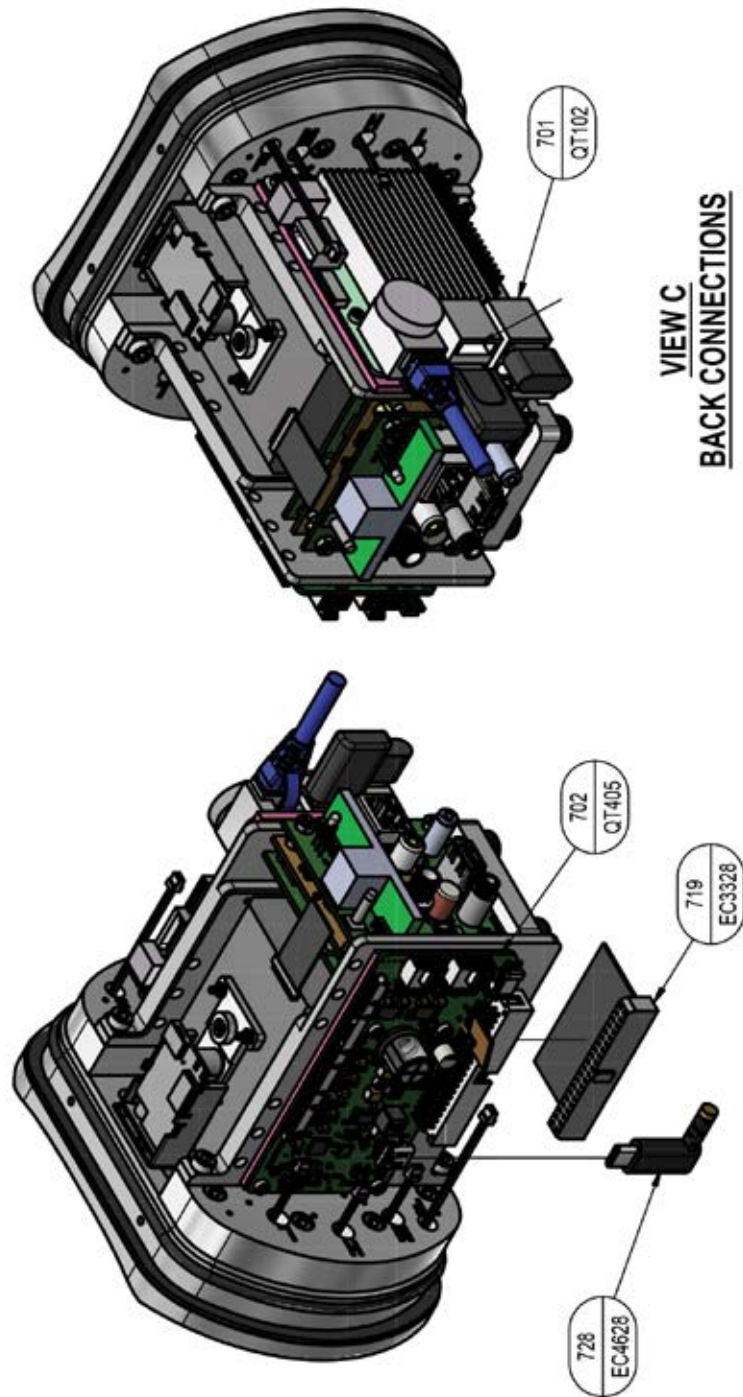


Figure 4d. CAMERA HEAD, QZ3 ADVANCED, P/N QT302



*Figure 4e. CAMERA HEAD, QZ3 ADVANCED, P/N QT302*

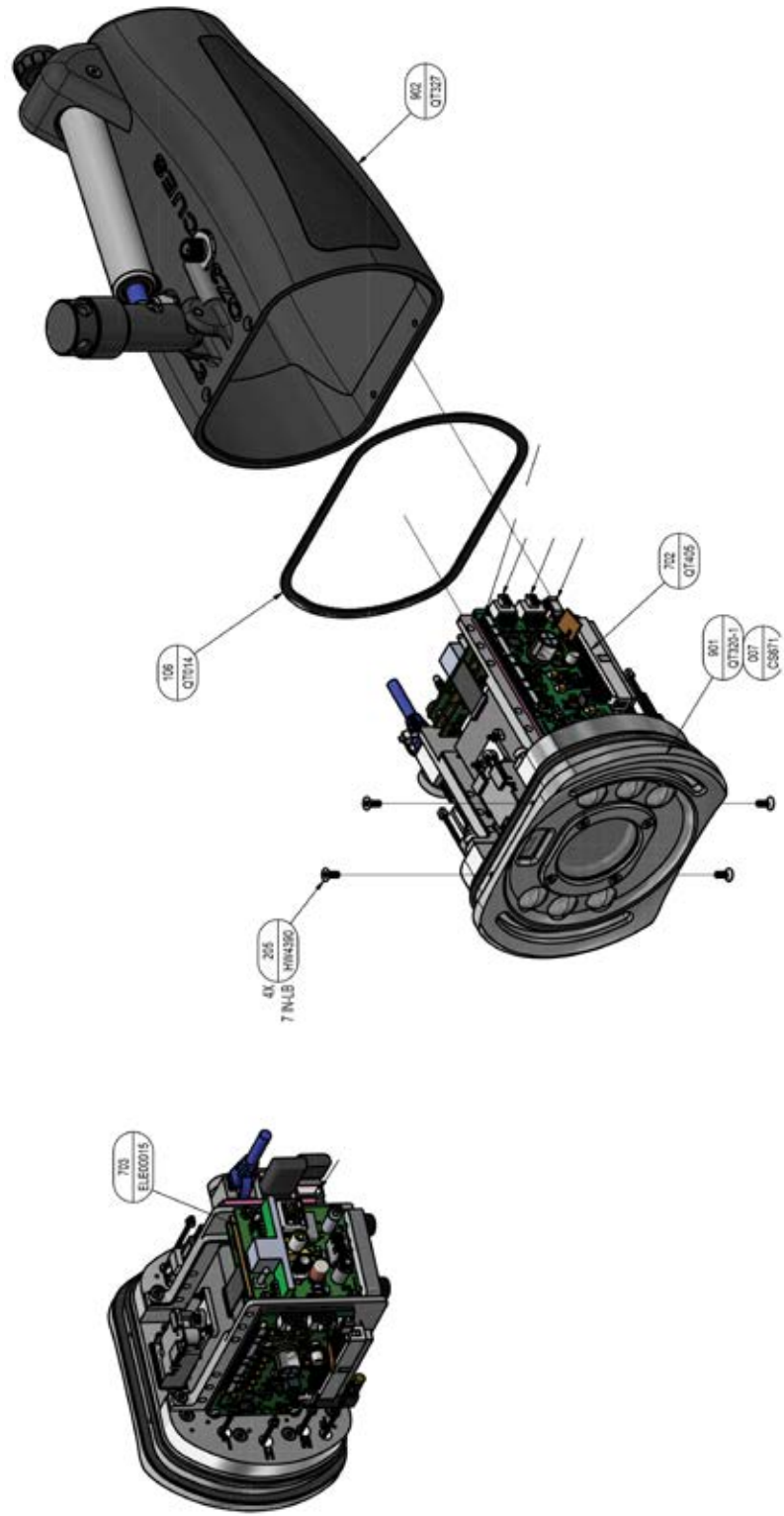


Figure 4f. CAMERA HEAD, QZ3 ADVANCED, P/N QT302

<b>CAMERA HEAD, QZ3 ADVANCED, (SEE FIGURE 4), P/N QT302, REV. A</b>			
ITEM #	DESCRIPTION	PART NUMBER	QUANTITY
1	MRO-REMOVABLE LCK,ND 121200-50,BLUE	440061	1
2	MRO-COMPOUND,SILCONE HEATSINK	445079	1
3	LUBE,ORING, SUPER O LUBE, 2 OZ TUBE	439986	1
4	MRO-LOCTITE 42540 F/PLASTIC	429791	1
5	MRO-GOOP,AUTOMOTIVE 3.7 OZ TUBE	420802	1
6	MRO,2PRT-EPXY,15MIN,PLSTC-BNDR,BLK	CS673	1
7	MRO-GASKET SEALANT,HYLOMR BLUE,100G	CS671	1
9	MRO,LIQUID FLUX ORGANC ACID WATER-S	CS690	1
10	MRO, SLD WIRE NO-CLEAN 96.53.5 4OZ.	CS689	1
11	MRO-CLEANER,CONTACT,DEOXIT GLD,25ML	CS498	1
12	MRO-ADHESIVE,GEL,LOCTITE 454	CS670	1
101	LASER, WINDOW BRACKET	QT074	1
102	CAMERA BRACKET - ADVANCED	QT009-1	1
103	BRACE,RIGHT BOARD	QT011-1	1
104	BRACE, LEFT BOARD	QT010-1	1
105	BRACKET,LED INTERCONNECT	QT032	2
106	GASKET, BEZEL SEAL	QT014	1
107	LASER BEZEL, QZ3	QT076	1
109	ENCODER PCB BRACKET	CMD00019	1
200	SCREW, SHCS M1.6 X 0.35 X 3, SST	HW4974	1
201	SCREW,SH CUP POINT,M2X0.4X10,SST	HW4967	2
203	SCREW, SKT HD M2 X 10MM LG SST	HW4458	8
204	SCREW, SHCS, M2.5 X 8MM LG, SST	HW4374	9
205	SCREW,FHC,TORX,SAFTY,M3 X 8MMLG,SST	HW4390	4
206	SCREW, SHCS, M3 X 10MM LG, SST, BLK	HW4379	2
207	SCREW,FLAT,PHIL,M3-0.5X12MM,SST	HW2562	2
208	SCREW,CAP,SKT HD,M4-0.7X12MMLG,SST	HW953	2
209	SCREW, SKT HD M4 X 16MM LG SST	HW4459	4
210	SCREW,CAP,SKT,M2 X 6MM LG,SS	HW557	4
211	BUMPER, RUBBER 6-32 STUD	HW4448	2
213	HEX NUT, M2 THIN SST	HW4968	2
214	MRO-TIE,CABLE,3/32" X 4",BLACK	CS444	1
300	SPRING, 1.5L, 0.36 OD, 0.296 ID	HW4966	1
302	DESICCANT,7G SEIVE, N/S,SELL MS922	930604	1
701	CPU, SINGLE BOARD COMPUTER	QT102	1

<b>CAMERA HEAD, QZ3 ADVANCED, (SEE FIGURE 4), P/N QT302, REV. A</b>			
<b>ITEM #</b>	<b>DESCRIPTION</b>	<b>PART NUMBER</b>	<b>QUANTITY</b>
702	PCB, POWER BOARD QZ3 ADV	QT405	1
703	ENCODER, DUAL CAMERA, 3G-SDI, QZ3	ELE00015	1
705	USB, TP Link TL-WN823N v3 Wi-Fi Adapter	ELE00001	1
706	FLASH DRIVE, USB3.1 128GB HI-TEMP	EC3838	1
710	CAMERA, SONY BLOCK HD QZ3	QT100	1
714	GAP PAD, ENCODER PCB	CMD00020	1
715	GAP PAD,CPU	QT016	1
716	GAP PAD,PWR BOARD	QT015	1
717	GAP PAD, CAMERA	QT018	1
718	CABLE, RJ45 ETHERNET 0.67FT BLUE	EC3337	1
719	RIBBON CABLE, 40 PIN	EC3328	1
720	CABLE, VIDEO BLK KEL	EC3404	1
721	CABLE, LED INTERCONNECT	QT343	2
722	CABLE, CAMERA DRIVER PWR	QT346	1
723	CABLE, Q3 LASER TO CABLE, QZ3 LASER	QT356	1
728	CABLE USB A-C,CHRG. RIGHT ANGLE 1'L	EC4628	1
901	BEZEL-LIGHTHEAD ASSY, QZ3-ADVANCED	QT320-1	1
902	HOUSING ASSEMBLY, QZ3 ADV	QT327	1

CONFIGURATION LIST		
PART NO.	DESCRIPTION	OPTION
MD680	CCU ASSY, TRUCK MOUNT, LX800 K2	
MD680-1	CCU ASSY,TRUCK MOUNT,K2,LX800,WRLSS,OBS, USE BASIC	A
MD680-2	CCU ASSY,TRUCK MOUNT,K2,LX800,PAL, OBS, USE BASIC	B
MD680-3	CCU ASSY,TRK MNT,K2,LX800,PAL,WRLSS, OBS, USE BASIC	A,B
MD680-4	CCU ASSY,TRCK MNT,K2,LX800,W/EQUALZR,SEE NOTE 1.5	C
MD680-5	CCU ASSY,TRK MNT,K2,LX800,WRLSS,W/EQ,OBS, USE -4	A,C
MD680-6	CCU ASSY,TRCK MNT,K2,LX800,PAL,W/EQ, OBS, USE -4	B,C
MD680-7	CCU ASSY,TKMT,K2,LX800,PAL,WLS,W/EQ, OBS, USE -4	A,B,C

POWER CORD CHART			
PART NO.	DESCRIPTION	COUNTRY	QTY
EC1551	CORD,POWER,10A 250V,8'2",AU1-10	AUSTRALIA & CHINA	1
EC1552	CORD,POWER,10A 250V,8'2",UK1-13	UK	1
EC1553	CORD,POWER,10A 250V,8'2",IS1-16	ISRAEL	1
EC1554	CORD,POWER,10A 250V,8'2",EU1-16	GERMANY, RUSSIA, EGYPT	1

*Figure 5. CCU ASSY, TRUCK MOUNT, LX800,K2 MD680*

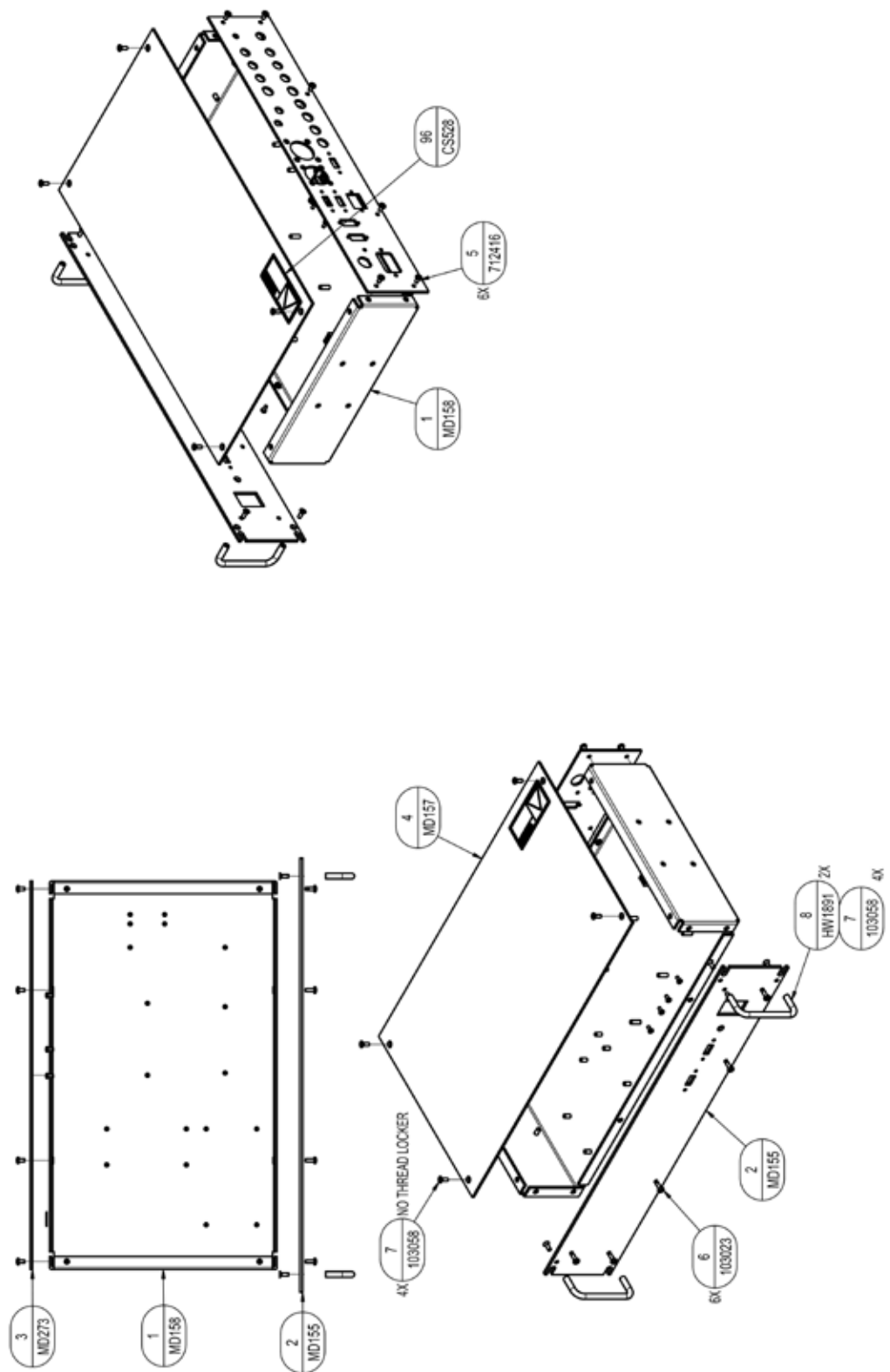


Figure 5a. CCU ASSY, TRUCK MOUNT, LX800, K2 MD680

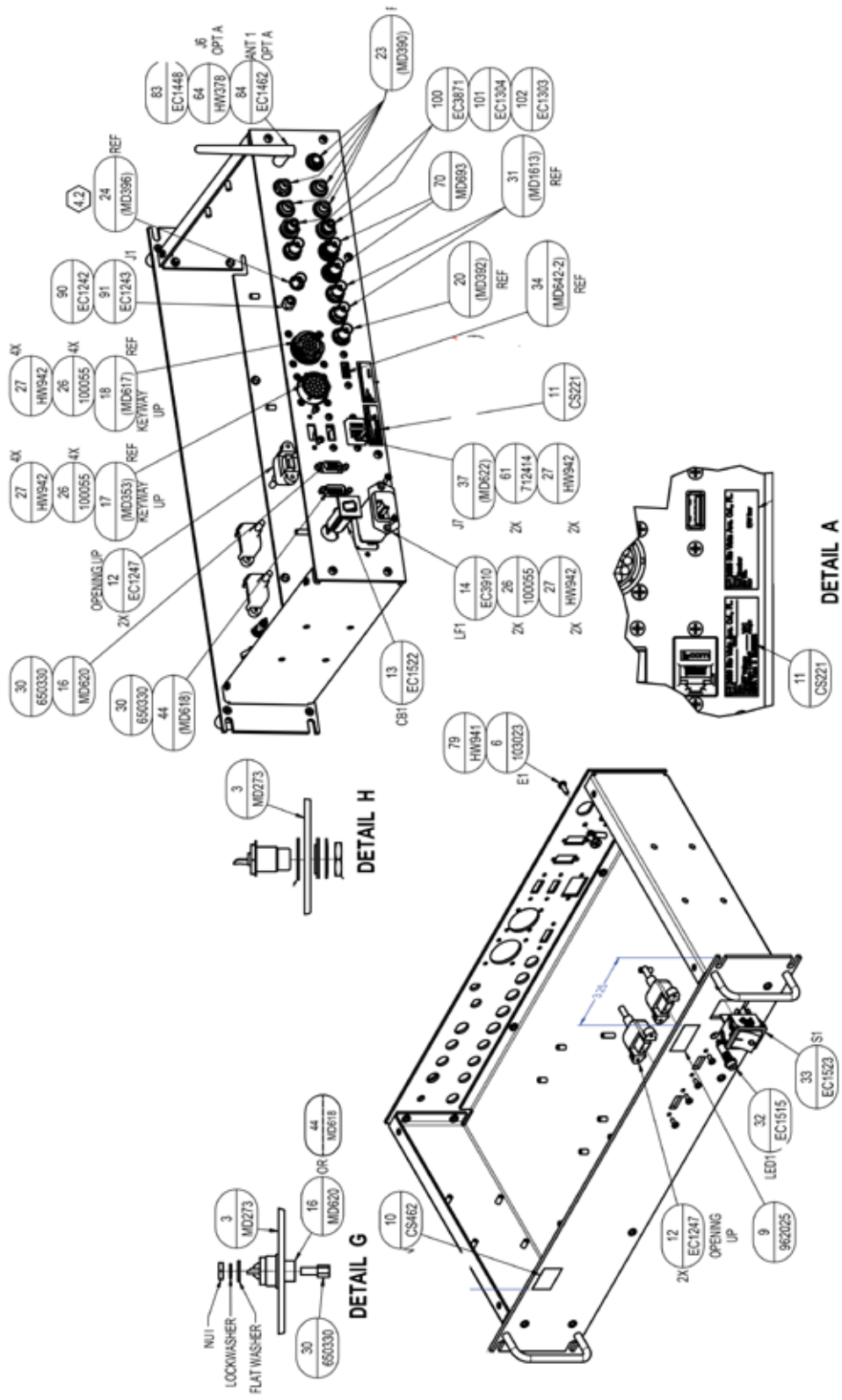


Figure 5b. CCU ASSY, TRUCK MOUNT, LX800, K2 MD680



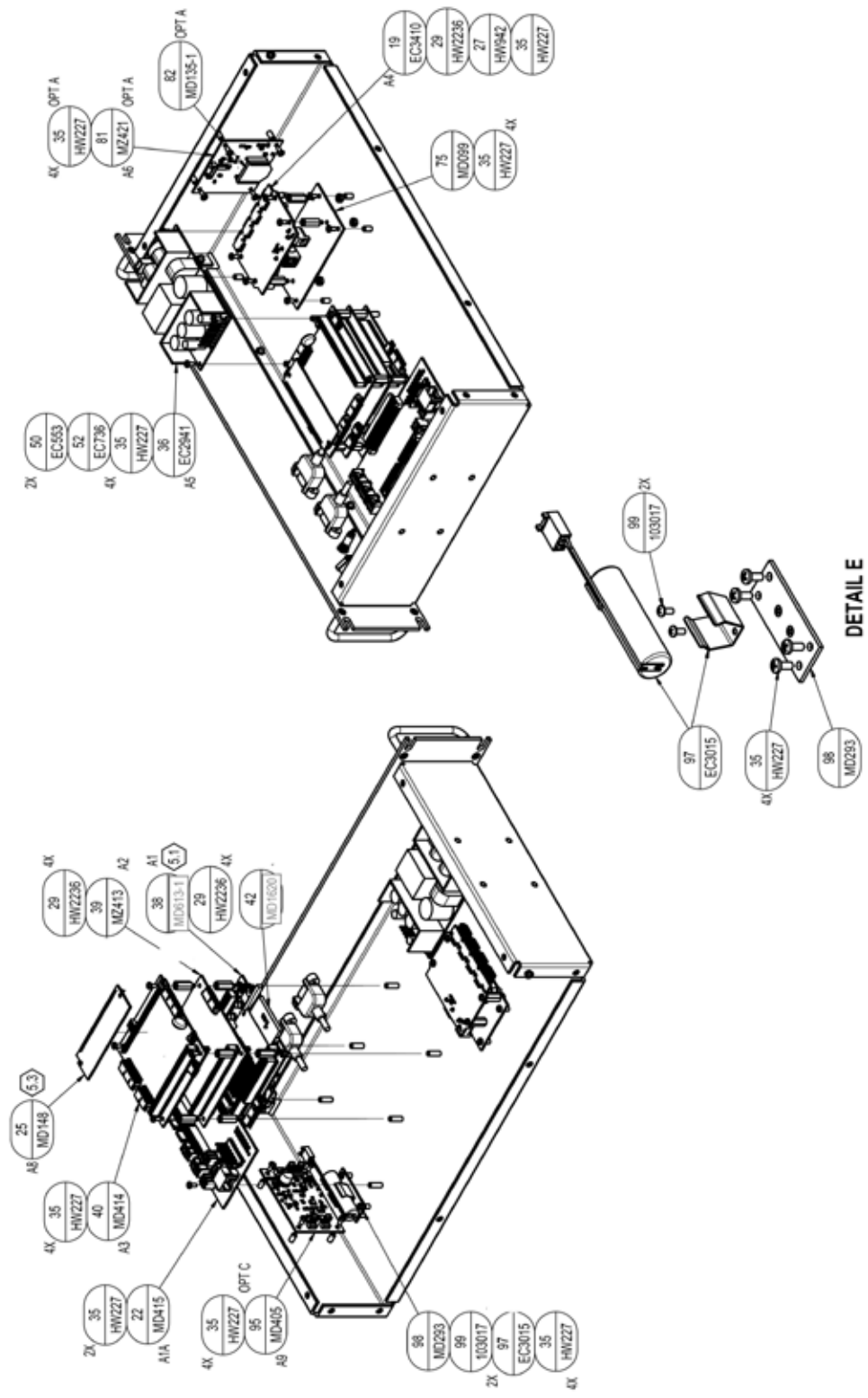


Figure 5c. CCU ASSY, TRUCK MOUNT, LX800, K2 MD680

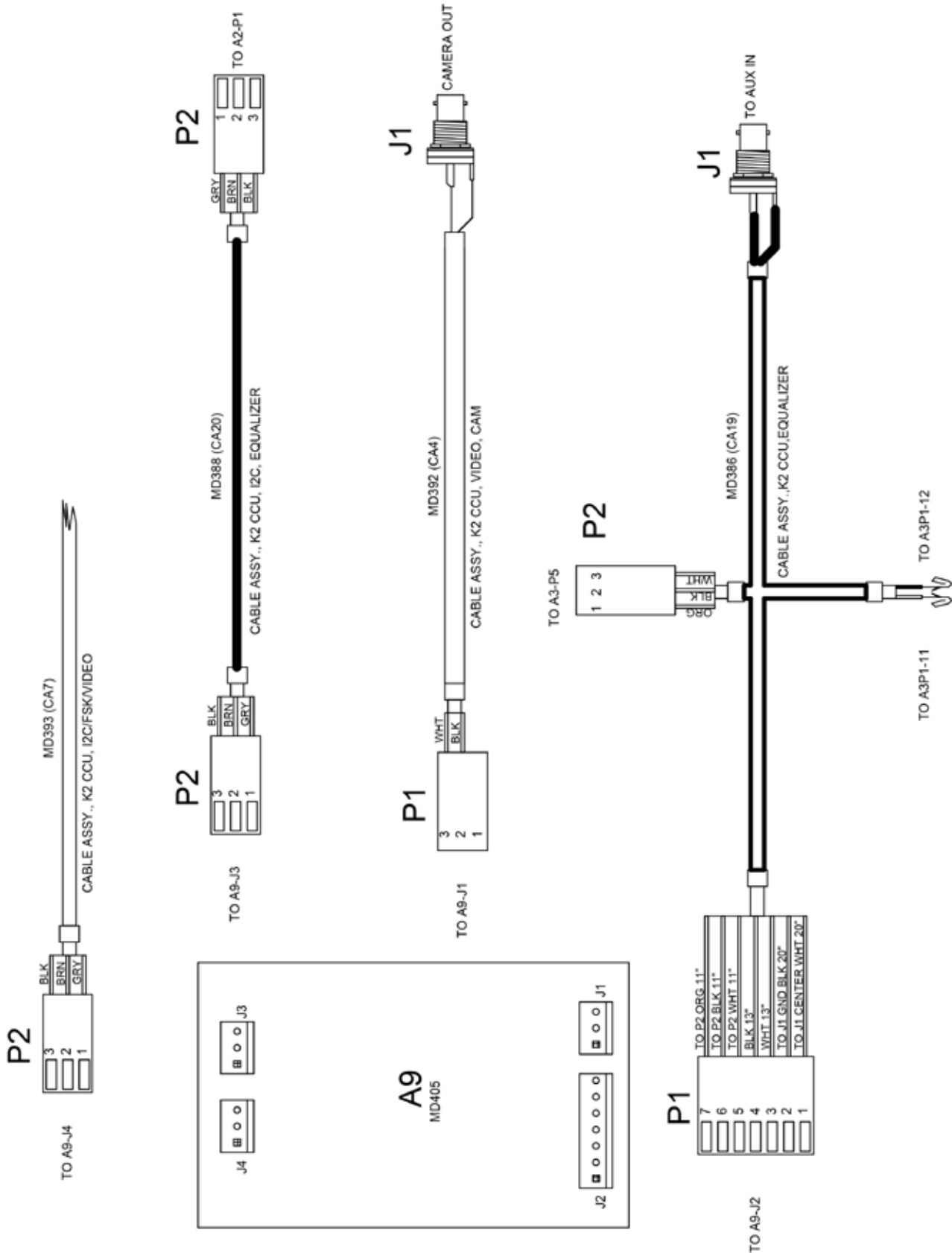


Figure 5d. CCU ASSY, TRUCK MOUNT, LX800, K2 MD680

<b>CCU ASSY, TRUCK MOUNT, LX800,K2 (See Figure 5) Rev. K2, P/N MD680</b>			
ITEM #	DESCRIPTION	PART NUMBER	QUANTITY
1	CHASSIS,CCU,TRUCKMOUNT,K2	MD158	1
2	PANEL,FRONT,CCU,TRUCKMOUNT,K2	MD155	1
3	PANEL,REAR,CCU,TRK MNT,LX800,K2	MD273	1
4	COVER, TOP,CCU,TRUCKMOUNT,K2	MD157	1
5	SCREW,PAN,6-32X1/4 PHIL SST	712416	6
6	SCREW,PAN,6-32X3/8 SST	103023	7
7	SCREW,FLAT,6-32X3/8 PHIL SST	103058	8
8	HANDLE,3"CCX1.25HX.375OD,PLTD	HW1891	2
9	LABEL,LOGO CUES 1.25X.625	962025	1
10	LABEL,LOGO K2 SUMMIT,3/4"X1"	CS462	1
11	LABEL,THERMAL XFR,1.500"W X .500"H	CS221	1
12	CABLE,USB PNL MNT TO A SOCKET,2'	EC1247	4
13	BREAKER,THRML,PSH>RESET,2A TYCO	EC1522	1
14	PWR ENT RCPT, PNL MNT, MED GRADE	EC3910	1
15	CORD,POWER COLOR SCOUT	165006	1
19	HUB,USB 3.0,4PORT	EC3410	1
20	CABLE ASSY,K2 CCU,VIDEO,CAM,MATES WITH MD414-1	MD392-1	1
22	PCB ASSY,LX800 PWR & I/O,11" CBL,K2	MD415	1
25	TITLER,BOB4,W/30-PIN HEADER	MD148	1
26	SCREW,FLAT,4-40X 3/8 PHIL SST	100055	10
27	NUT,KEP,4-40,SS	HW942	16
28	MRO-LOCTITE 42540 F/PLASTIC	429791	1
29	STANDOFF,HEX,M/F,4-40,3/16,5/8L,SS	HW2236	12
30	FEMALE SCREWLOCK KIT,F/SUB D CONN	650330	2
32	LED,PNL MNT,12V,GRN,7MM,DIALIGHT	EC1515	1
33	POWER,SWITCH,ROCKER,DPST,BLK	EC1523	1
35	SCREW,PAN,4-40X1/4 MACHINE,SST	HW227	24
36	POWER SUPPLY,QUAD OUTPUT,70W,GLD	EC2941	1
38	MOTHERBOARD, CPU, LX800, LINUX BIOS	MD613-1	1
39	PCB ASSY,FSK,PC104,K2	MZ413	1
40	PCB ASSY,A/V,PC104,K2,QUAD OUTPUT, F/ NEW MD680/MD1680 BUILDS	MD414-1	1
42	COMPACT FLASH,SLC,8GB,PROGRAMED	MD1620	1
43	MRO-REMOVABLE LCK,ND 121200-2,BLUE	CS036	1
48	MRO-MOUNT,CABLE TIE	505147	1

<b>CCU ASSY, TRUCK MOUNT, LX800,K2 (See Figure 5) Rev. K2, P/N MD680</b>			
ITEM #	DESCRIPTION	PART NUMBER	QUANTITY
49	CONNECTOR, SPADE, FEMALE	EL209	9
50	TERMINAL, CRIMP, .156 PITCH	EC553	2
51	TERMINAL, RING, 22-18 AWG, #6 STUD, RED	712743	1
52	CONNECTOR, HOUSING, 3PIN, .156", CRIMP	EC736	1
53	TERMINAL, CRIMP, BRASS, F/22-30 AWG	730113	2
54	TUBE, SHRINK, BLACK 3/16"RNF	712577	1
55	WIRE, #18 GREEN	161637	1
56	WIRE, #18 WHITE	161638	1
57	WIRE, #18 BLACK	161636	1
58	WIRE, #22 WHITE/GREEN, PVC	EC1084	1
59	WIRE, #22, WHITE/BLACK, PVC	EC1088	1
61	SCREW, BIND, 4-40X3/8 PHIL SST	712414	2
62	TIE, CABLE, 3/32"X4", WHT/CLR, MRO	440307	1
64	PLUG, BUTTONHOLE, .25", SNAP	HW378	1
67	KIT, LX800 K2 CCU, CABLE ASSY, V5	MD926-5	1
69	MRO-GOOP, AUTOMOTIVE 3.7 OZ TUBE	420802	1
70	CABLE ASSY, LX800 K2, CCU	MD693	1
74	TUBE, SHRINK, BLACK 3/32"	712595	1
75	MOUNT, PLATE, USB HUB, EC3410	MD099	1
79	NUT, KEP, 6-32, SS	HW941	1
88	CONN, SOCKET, 22-24 AWG, 100", GOLD	EC1932	4
89	CONN, HOUSING, 10POS, .100", DUAL	EC1930	1
90	LOCKNUT, LUMBERG, FOR PICO PNL MNT	EC1242	1
91	CONNECTOR, LUMBERG, PICO, 4P, PNL MNT	EC1243	1
96	LABEL, "WARNING HAZARDOUS VOLTAGE"	CS528	1
97	BATTERY, EXTERNAL 3.6V, 2400 MAH	EC3015	1
98	PLATE, ADAPTER, WINSYSTEMS BATTERY	MD293	1
99	SCREW, PAN, 2-56X3/16 PHIL SST	103017	2
100	JACK, RCA FEEDTHRU W/YL INSERT 3/8"	EC3871	2
101	WASHER, INSULATED, EXTRUDED, F/EC1274	EC1304	2
102	WASHER, INSULATED, FLAT F/EC1274	EC1303	2

CONFIGURATION LIST			
PART NO.	DESCRIPTION	OPTION(S)	NOTES
MD640	PCU ASSY, LX800, K2	NONE	-
MD640-1	PCU ASSY, WIRELESS, LX800, K2	A	-
MD640-2	PCU ASSY, PAL, LX800, K2	B	-
MD640-3	PCU ASSY, WIRELESS, PAL, LX800, K2	A,B	-
MD640-4	PCU ASSY, LX800, K2, HI BRIGHT	C	-
MD640-5	PCU ASSY, WIRELESS, LX800, K2, HI BRIGHT	A,C	-
MD640-6	PCU ASSY, PAL, LX800, K2, HI BRIGHT	B,C	-
MD640-7	PCU ASSY, WIRELESS, PAL, LX800, K2, HI BRIGHT	A,B,C	-
MD640-8	PCU ASSY, LX800, K2, LP&T	D	-

*Figure 6. PCU ASSEMBLY, LX800, K2, MD640*

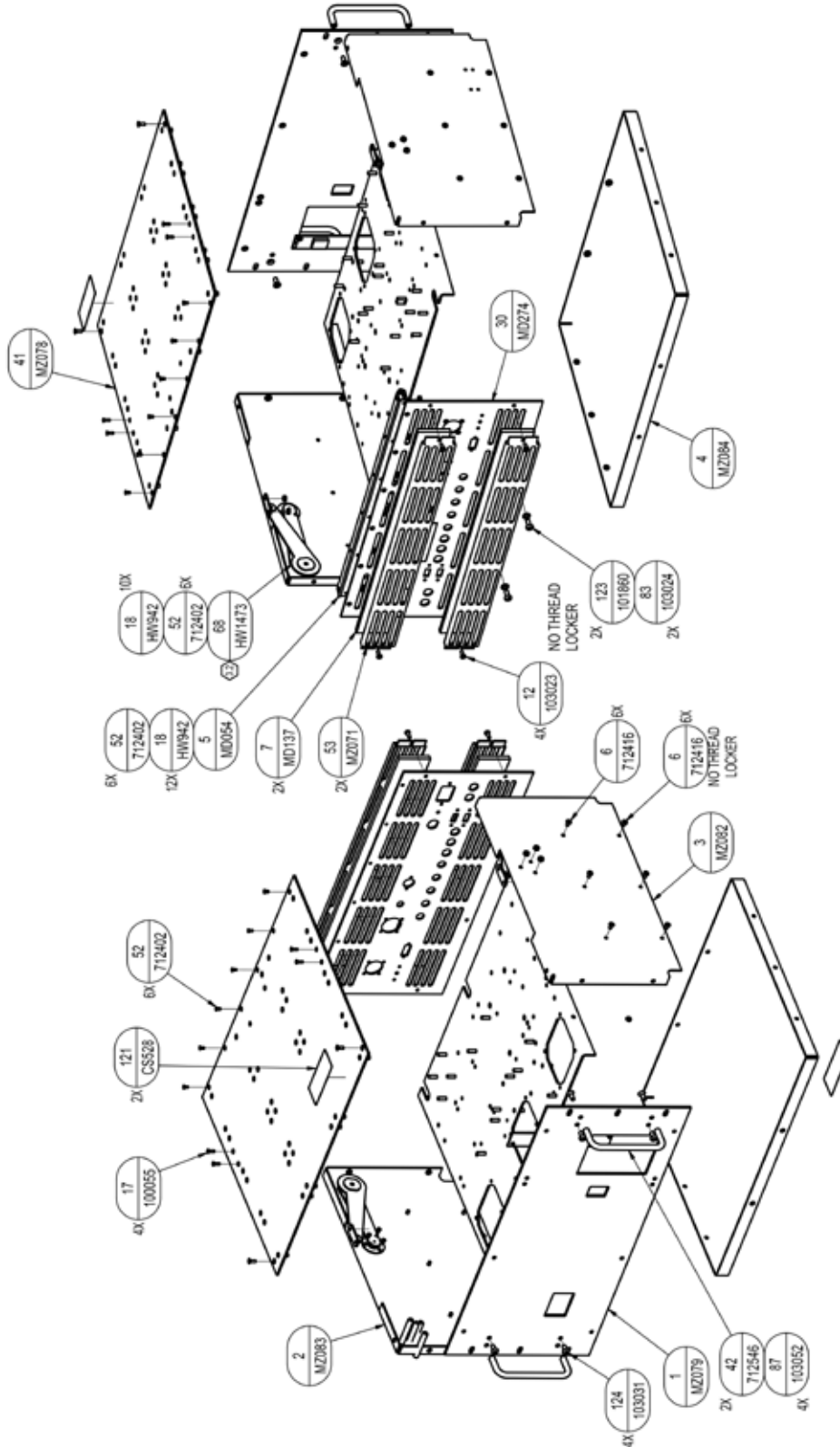


Figure 6a. PCU ASSEMBLY, LX800, K2, MD640

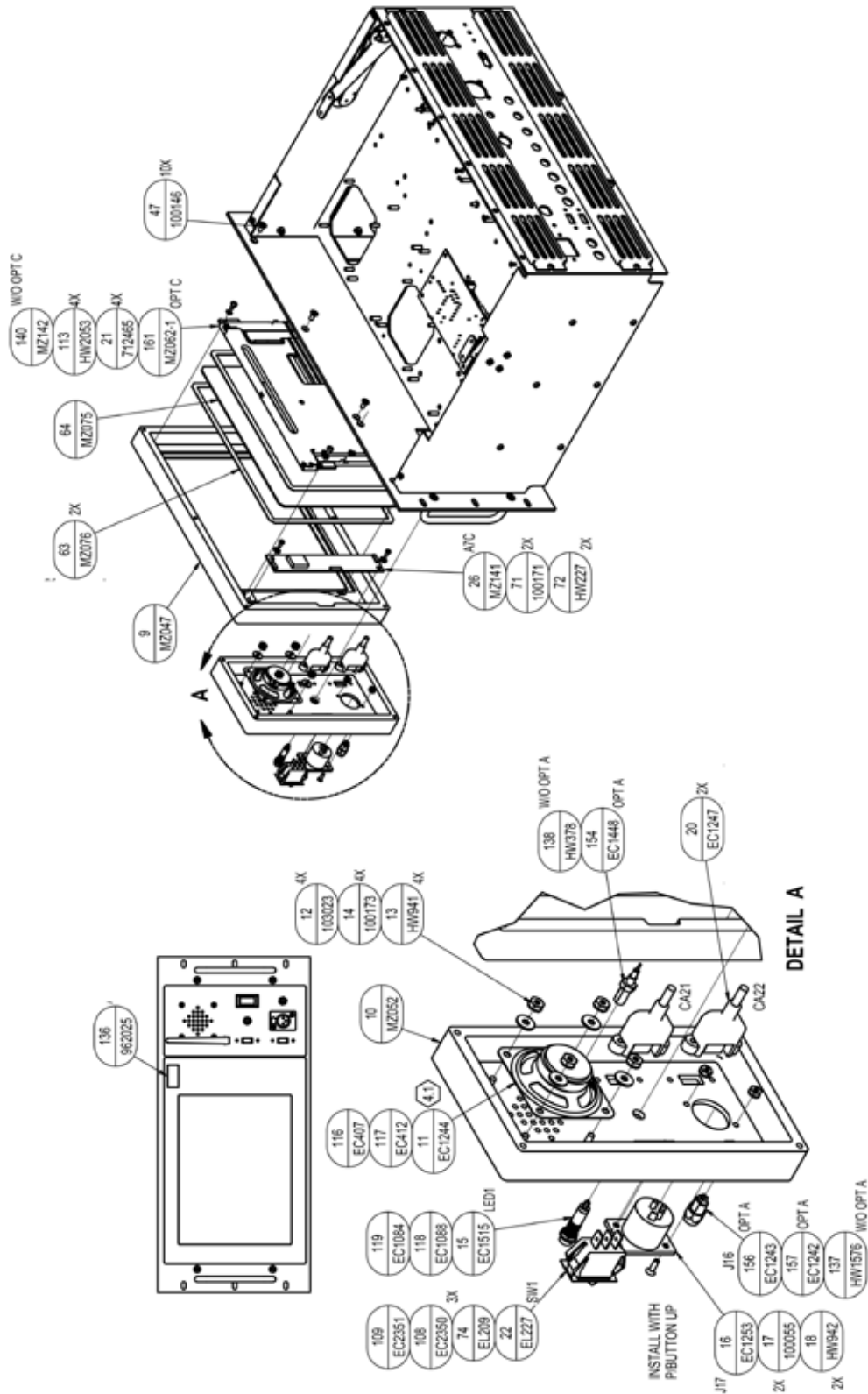


Figure 6b. PCU ASSEMBLY, LX800, K2, MD640

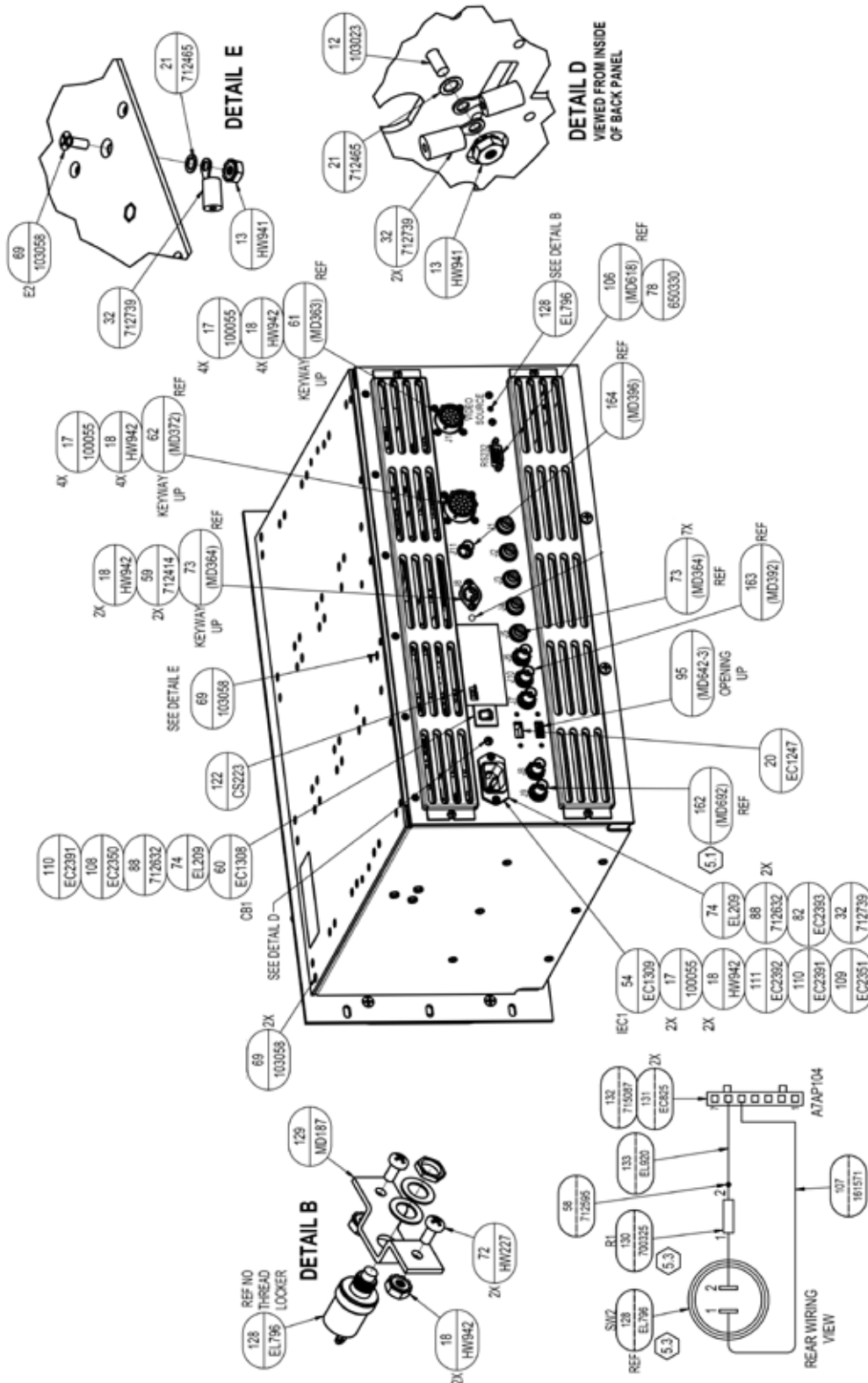


Figure 6c. PCU ASSEMBLY, LX800, K2, MD640



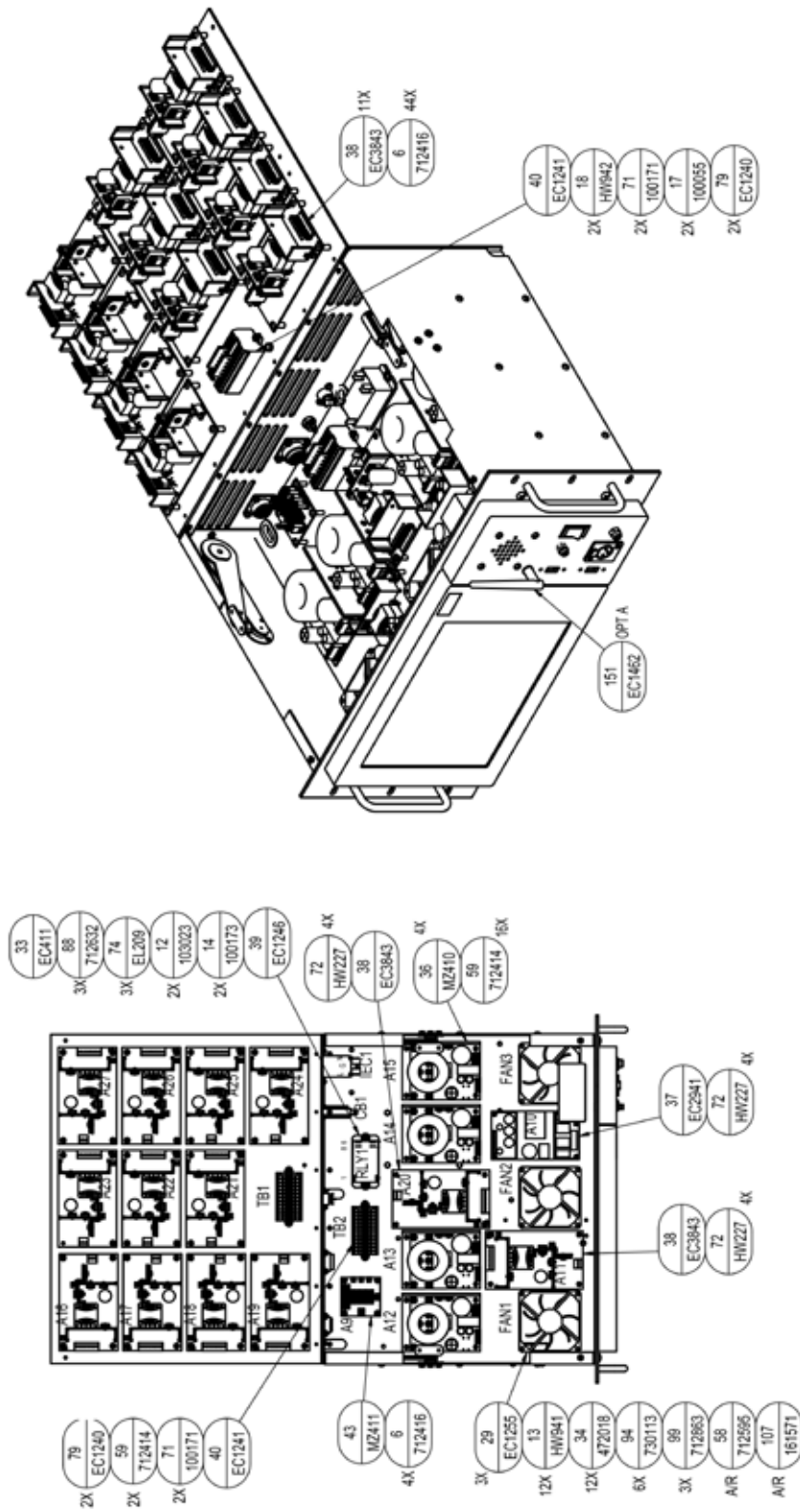
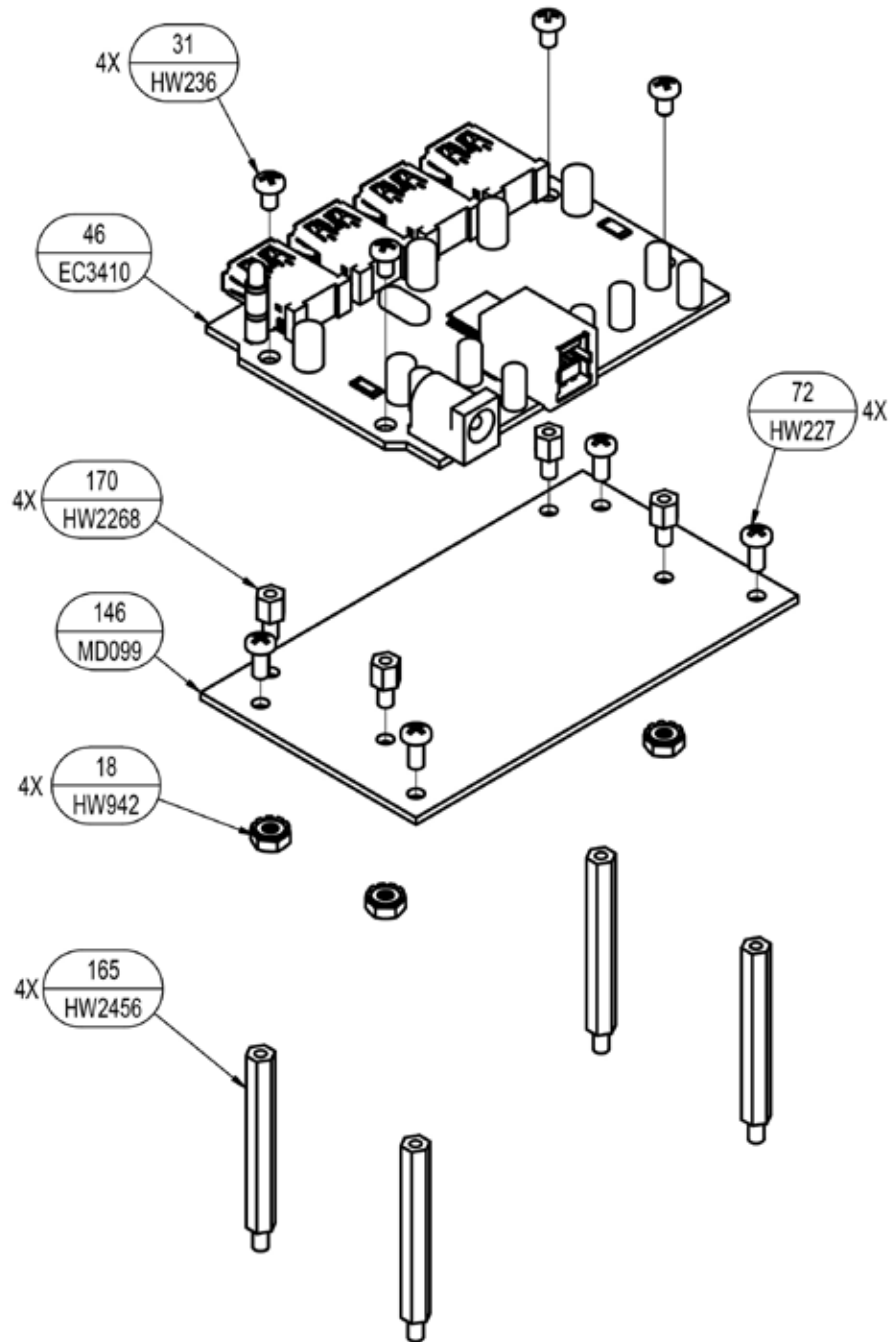


Figure 6d. PCU ASSEMBLY, LX800, K2, MD640



*Figure 6e. PCU ASSEMBLY, LX800, K2, MD640*

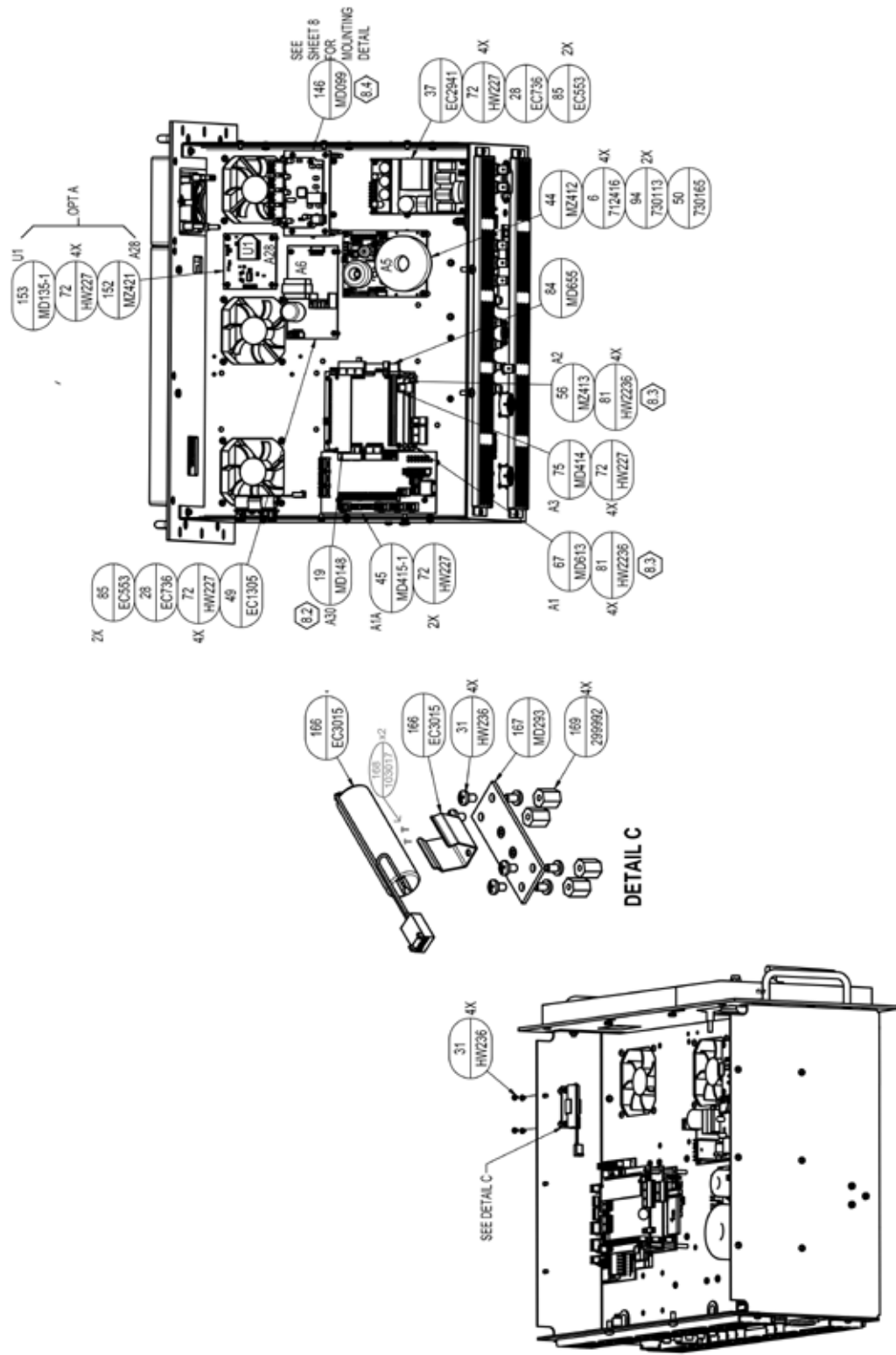


Figure 6f. PCU ASSEMBLY, LX800, K2, MD640

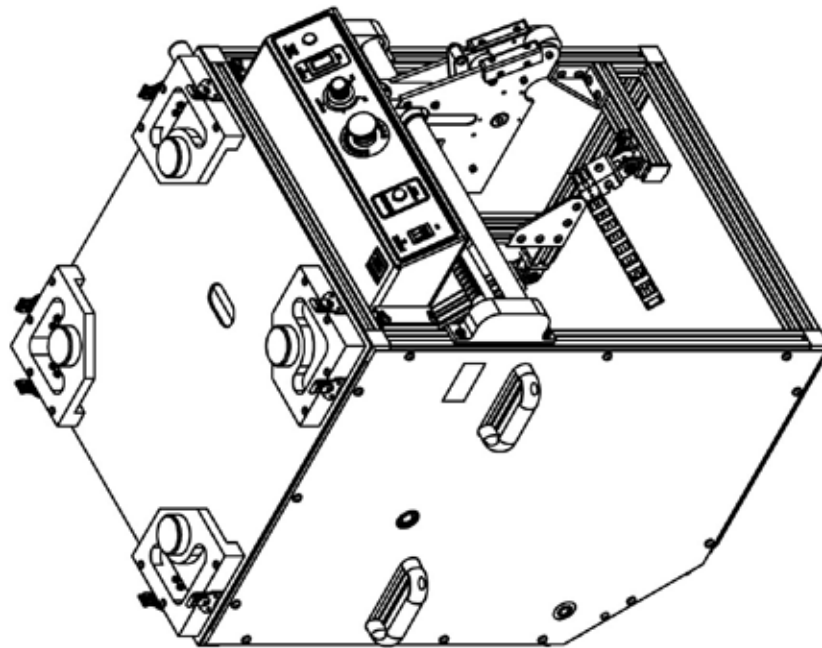
<b>PCU ASSEMBLY, LX800, K2 (See Figure 6) Rev. L.1, P/N MD640</b>			
ITEM #	DESCRIPTION	PART NUMBER	QUANTITY
1	PANEL,FRONT,PCU,MML	MZ079	1
2	PANEL,LEFT SIDE,PCU,MML	MZ083	1
3	PANEL,RIGHT SIDE,PCU,MML	MZ082	1
4	BASE,CHASSIS,PCU,MML	MZ084	1
5	HINGE,PCU,MML	MD054	1
6	SCREW,PAN,6-32X1/4 PHIL SST	712416	72
7	FILTER,FOAM,K2 PCU	MD137	2
8	PANEL,CENTER,PCU,MML	MZ081	1
9	HOUSING,LCD MOUNT,MINI MAINLINE	MZ047	1
10	HOUSING,COMPONENT/SPKR MNT,MML	MZ052	1
11	SPEAKER,2"8 OHM,.5W	EC1244	1
12	SCREW,PAN,6-32X3/8 SST	103023	10
13	NUT,KEP,6-32,SS	HW941	16
14	WASHER,FLAT,#6 SST	100173	6
15	LED,PNL MNT,12V,GRN,7MM,DIALIGHT	EC1515	1
16	CONNECTOR,XLR,PNL MNT,LOCKING	EC1253	1
17	SCREW,FLAT,4-40X 3/8 PHIL SST	100055	18
18	NUT,KEP,4-40,SS	HW942	48
19	TITLER,BOB4,W/30-PIN HEADER	MD148	1
20	CABLE,USB PNL MNT TO ASOCKET,2'	EC1247	3
21	WASHER,STAR INTERNAL #6	712465	4
22	SWITCH,AC,2 POSITION,RED-LIGHT	EL227	1
23	MANUAL,OPERATION,SOFTWARE,K2/K3	MK901	1
26	KIT,LCD DRIVER,CNTL,LED BACKLIGHT	MZ141	1
27	CABLE KIT,LX800 K2 PCU ASSY, V3	MD925-3	1
28	CONNECTOR,HOUSING,3PIN,.156",CRIMP	EC736	2
29	FAN,12V,80MM SQ X 25MM	EC1255	3
30	PANEL,REAR,K2,F/MD640	MD274	1
31	SCREW,PAN,4-40X3/16 SST	HW236	12
32	TERMINAL,RING,16-14 AWG,#6 STUD,BL	712739	1
33	WIRE,#22AWG,BLUE,PVC,STRD	EC411	1
34	SCREW,PAN,6-32X1/2 SST	472018	12
35	MRO-MOUNT,CABLE TIE	505147	1
36	PCB ASSY,BUCK SWITCHER,K2	MZ410	4
37	POWER SUPPLY,QUAD OUTPUT,70W,GLD	EC2941	2

<b>PCU ASSEMBLY, LX800, K2 (See Figure 6) Rev. L.1, P/N MD640</b>			
<b>ITEM #</b>	<b>DESCRIPTION</b>	<b>PART NUMBER</b>	<b>QUANTITY</b>
38	POWER SUPPLY,48V,2.3A, LOW LEAKAGE	EC3843	13
39	RELAY,24V,DPST,30A	EC1246	1
40	TERMINAL STRIP,12 POS,WAGO	EC1241	2
41	COVER, TOP,PCU,MML	MZ078	1
42	HANDLE,4.25CCX1.50HX.312DIA PLATED	712546	2
43	PCB ASSY,DISTRIBUTION,UPPER,K2	MZ411	1
44	PCB ASSY,DISTRIBUTION,LOWER,K2	MZ412	1
45	PCB ASSY,LX800 PWR & I/O,18"CBL,K2	MD415-1	1
46	HUB,USB 3.0,4PORT	EC3410	1
47	SCREW,FLAT,8-32X3/8 PHIL SST	100146-CUES	10
48	MRO-REMOVABLE LCK,ND 121200-2,BLUE	CS036	1
49	POWER SUPPLY,12V,2.1A,25W,ASTRODYNE	EC1305	1
50	HOUSING,3-PIN LOCKING	730165	1
52	SCREW,FLAT,4-40X1/4 PHIL, SST	712402	18
53	GUARD,FILTER,ELEC.PLATFORM	MZ071	2
54	CONNECTOR,IEC,15A,W/LINE FILTER	EC1309	1
55	TIE,CABLE,3/32"X4",WHT/CLR,MRO	440307	1
56	PCB ASSY,FSK,PC104,K2	MZ413	1
57	TUBE,SHRINK,BLACK 1/4"RNF	712576	1
58	TUBE,SHRINK,BLACK 3/32"	712595	1
59	SCREW,BIND,4-40X3/8 PHIL SST	712414	26
60	BREAKER,CIRCUIT,THERMAL,15A	EC1308	1
63	GASKET,10.4"WINDOW DISPLAY,LCD	MZ076	2
64	WINDOW,LCD DISPLAY,FOR 10.4"	MZ075	1
65	STANDOFF,THREADED HEX F/F	101836	2
66	MANUAL,OPERATION,K2	MD910	1
67	MOTHERBOARD,CPU,LX800,BIOS UPDATED	MD613	1
68	LOCKING LID STAY,STEEL CHROME,PAIR	HW1473	1
69	SCREW,FLAT,6-32X3/8 PHIL SST	103058	2
71	WASHER,FLAT,#4 SST	100171	4
72	SCREW,PAN,4-40X1/4 MACHINE,SST	HW227	34
74	FAST-ON,.250X.032,22-18GA,LG RED	712742	8
75	PCB ASSY,A/V,PC104,K2,QUAD OUTPUT	MD414	1
76	GROMMET,EXTRD,F/.09"THK PLATE,POLY	HW1713	1
77	STANDOFF,#6 X 1.75 HEX	B129334	4

<b>PCU ASSEMBLY, LX800, K2 (See Figure 6) Rev. L.1, P/N MD640</b>			
ITEM #	DESCRIPTION	PART NUMBER	QUANTITY
78	FEMALE SCREWLOCK KIT,F/SUB D CONN	650330	1
79	JUMPER BAR,6-POLE,WAGO	EC1240	4
80	CABLE,VIDEO,RCA-RCA,75 OHM,1.5'	EC1763	1
81	STANDOFF,HEX,M/F,4-40,3/16,5/8L,SS	HW2236	8
82	WIRE,14AWG,PVC,STR,GREEN/YELLOW	EL723	1
83	WASHER,STAR INTERNAL #10	103024	2
84	MEMORY,CFLASH,LX800,WES PRGMD	MD655	1
85	TERMINAL,CRIMP,.156 PITCH	EC553	4
86	SOFTWARE,WES 2009 LICENSE - OBSOLETE	MD288	1
87	SCREW,FLAT,10-32X1/2 SST	103052	4
88	FAST-ON,.250X.032,16-14GA,LG BLUE	712736	6
94	TERMINAL,CRIMP,BRASS,F/22-30 AWG	730113	8
99	RECEPTACLE,2-PIN .100	712863	4
100	SOFTWARE,PRO2010NET,K2 - OBSOLETE	MD182	1
105	FAST-ON,MULTI-STCK,.250,16-14GA,INS	HW1443	3
107	WIRE,#24 RED PVC	161571	1
108	WIRE,18AWG,600V,105C,UL1015-BLK	EC2350	1
109	WIRE,18AWG,600V,105C,UL1015-WHT	EC2351	1
110	WIRE,14AWG STR,600V,105C,UL1015-BLK	EC2391	1
111	WIRE,14AWG STR,600V,105C,UL1015-WHT	EC2392	1
113	SCREW,PAN,PHIL,6-32X.25,SS,NYL PTCH	HW2053	4
115	CABLE,TEFLON COAX	713362	1
116	WIRE,#22AWG,BLACK,PVC,STRD	EC407	1
117	WIRE,#22AWG,RED,PVC,STRD	EC412	1
118	WIRE,#22,WHITE/BLACK,PVC	EC1088	1
119	WIRE,#22 WHITE/GREEN,PVC	EC1084	1
120	TUBE,SHRINK,1/16"	712593	1
121	LABEL,"WARNING HAZARDOUS VOLTAGE"	CS528	2
122	LABEL,THERMAL XFR,3.00"W X 2.00"H	CS223	1
123	SCREW,PAN,10-32X1/2 SST	101860	2
124	SCREW,PAN,10-32X3/8 SST	103031	4
128	SWITCH,MOMENTRY ON SPST	EL796	1
129	BRACKET,K2,VID SOURCE SEL SW	MD187	1
130	RESISTOR,MF,4.75K OHM 1/4W 1%	700325	1
131	HOUSING,7-PIN 2MM	EC825	1

<b>PCU ASSEMBLY, LX800, K2 (See Figure 6) Rev. L.1, P/N MD640</b>			
<b>ITEM #</b>	<b>DESCRIPTION</b>	<b>PART NUMBER</b>	<b>QUANTITY</b>
132	CONTACT,CRIMP,24-30AWG,2A,125V,TIN	715087	2
133	WIRE,#24 BRN,PVC	EL920	1
134	MRO-GOOP,AUTOMOTIVE 3.7 OZ TUBE	420802	1
136	LABEL,LOGO CUES 1.25X.625	962025	1
137	PLUG,BUTTON,5/16,BLACK	HW1576	1
138	PLUG,BUTTONHOLE,.25",SNAP	HW378	1
140	LCD,10.4, LED BACKLIGHT,KYOCERA	MZ142	1
146	MOUNT, PLATE, USB HUB, EC3410	MD099	1
165	STANDOFF,4-40M/F,3/16 HEX,1.5"LG,SS	HW2456	4
166	BATTERY ,EXTERNAL 3.6V, 2400 MAH	EC3015	1
167	PLATE,ADAPTER,WINSYSTEMS BATTERY	MD293	1
168	SCREW,PAN,2-56X3/16 PHIL SST	103017	2
169	STANDOFF,4-40,F/F,¼HEX X.31LG	299992	4
170	STANDOFF,4-40X3/16HEX X 3/16LG,SST	HW2268	4

CONFIGURATION LIST	
PART NUMBER	DESCRIPTION
MD330	PLATINIUM CABLE CONFIGURATION
MD330-1	ORANGE CABLE CONFIGURATION
MD330-2	PLATINIUM CABLE CONFIGURATION, 220V



*Figure 7: Reel Assembly, Portable, MD330*



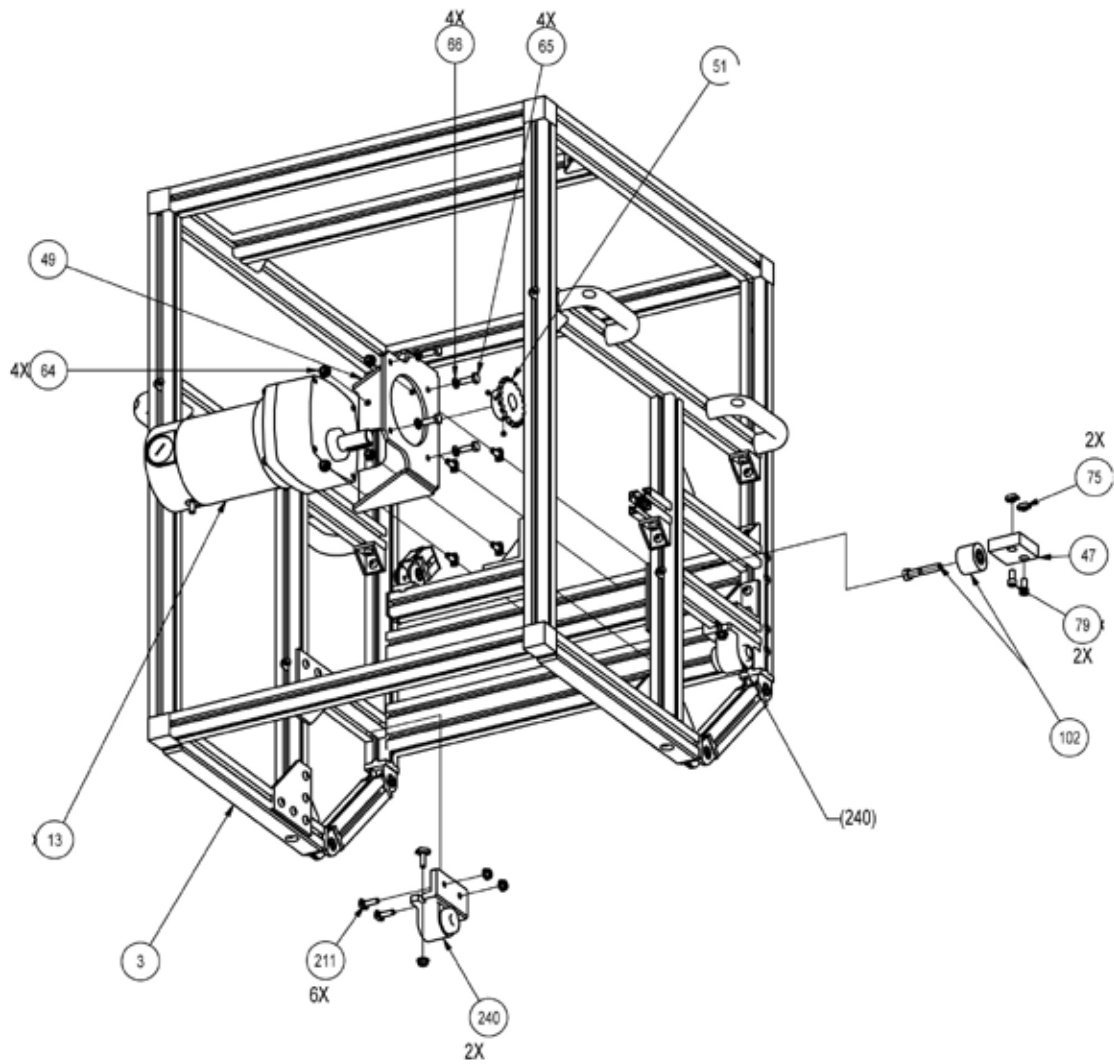


Figure 7a: Reel Assembly, Portable, MD330

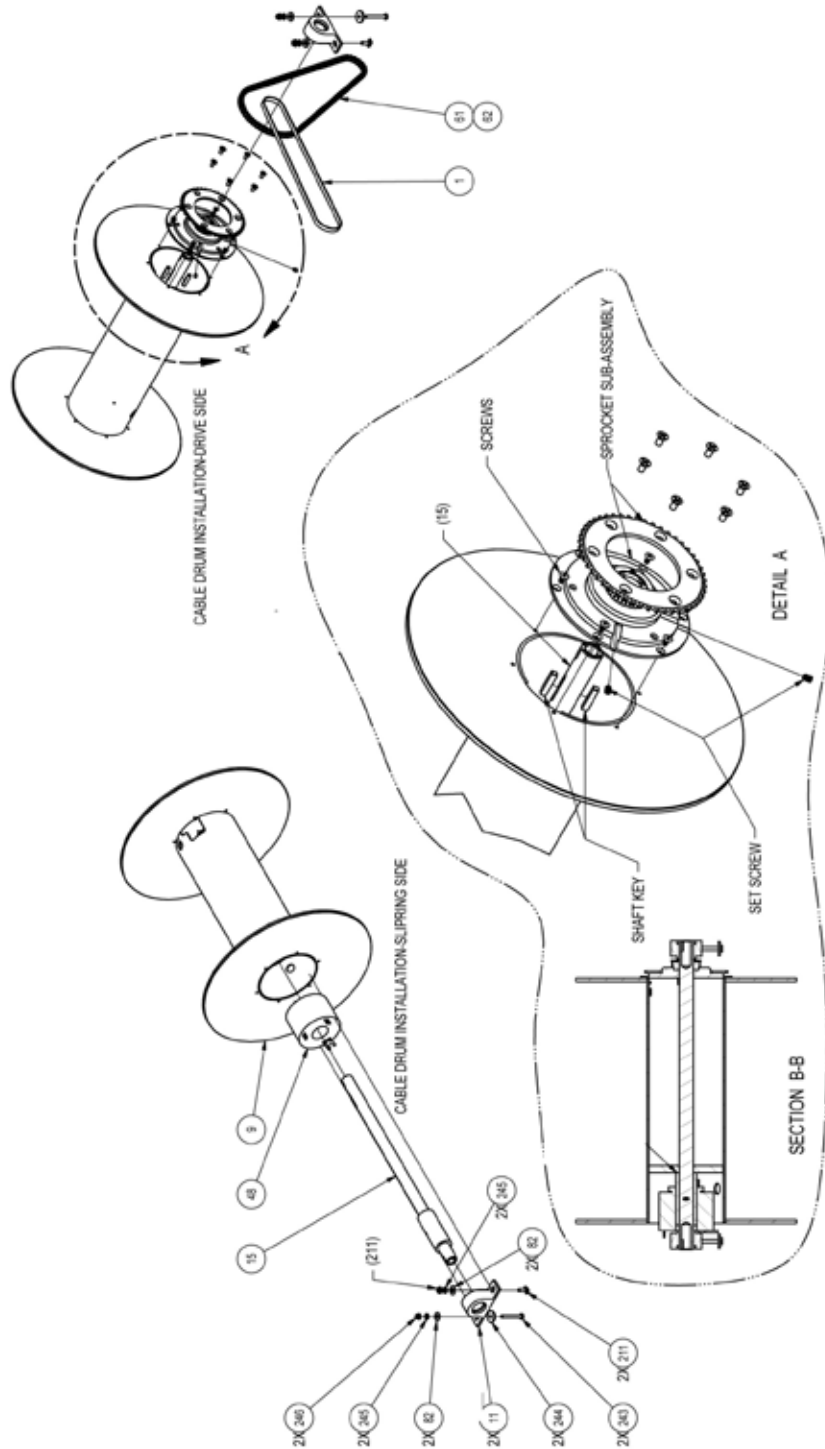
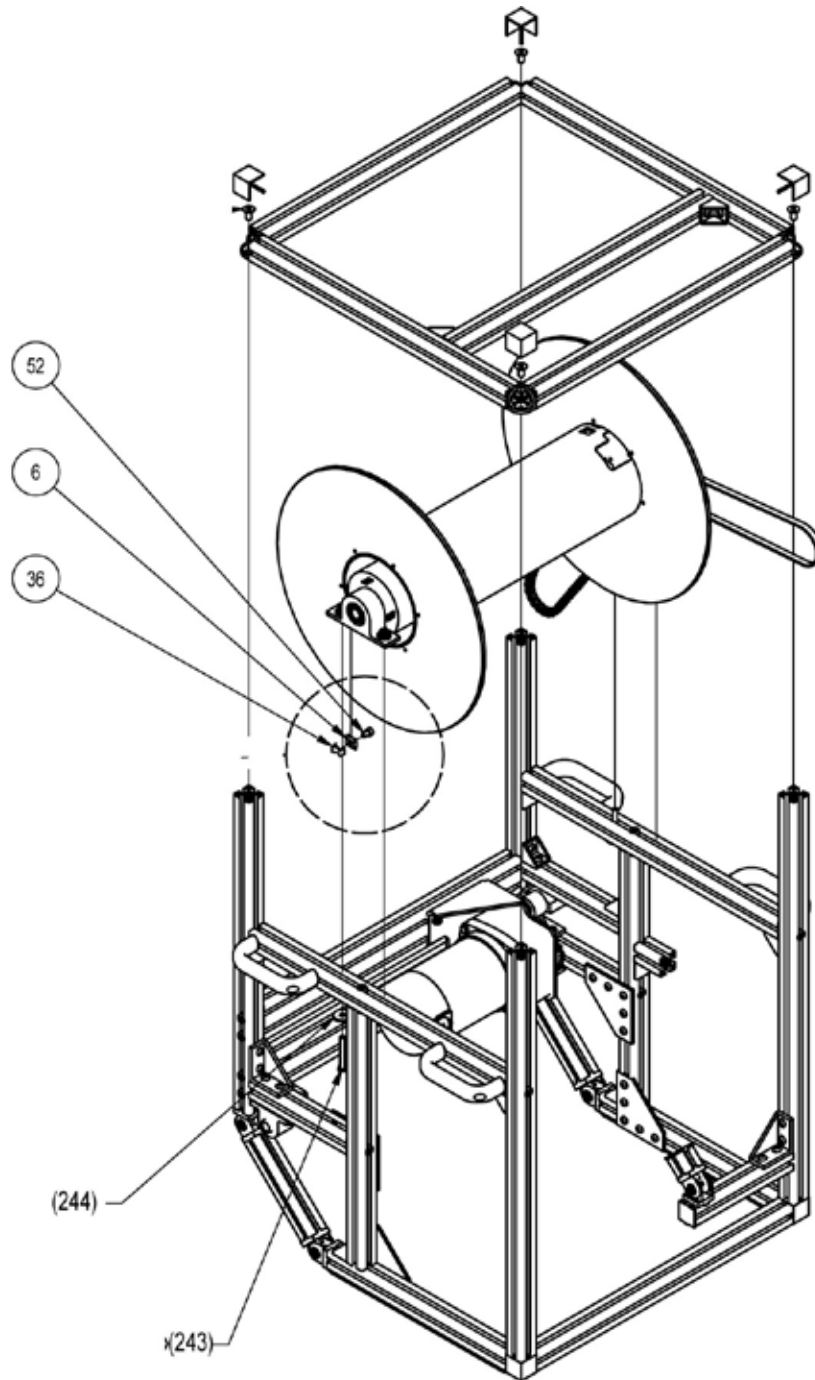


Figure 7b: Reel Assembly, Portable, MD330



CABLE DRUM INSTALLATION

Figure 7c: Reel Assembly, Portable, MD330

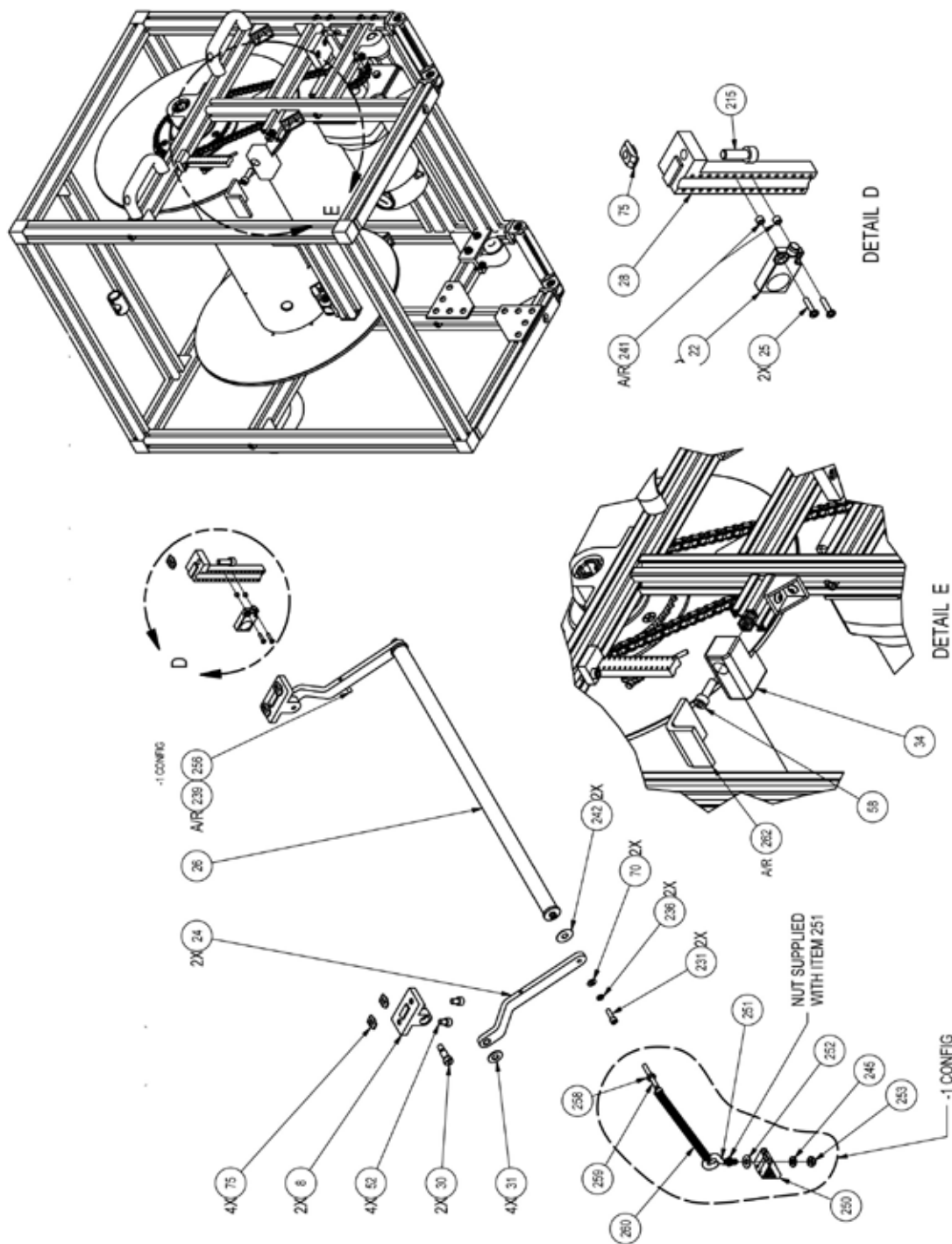


Figure 7d: Reel Assembly, Portable, MD330

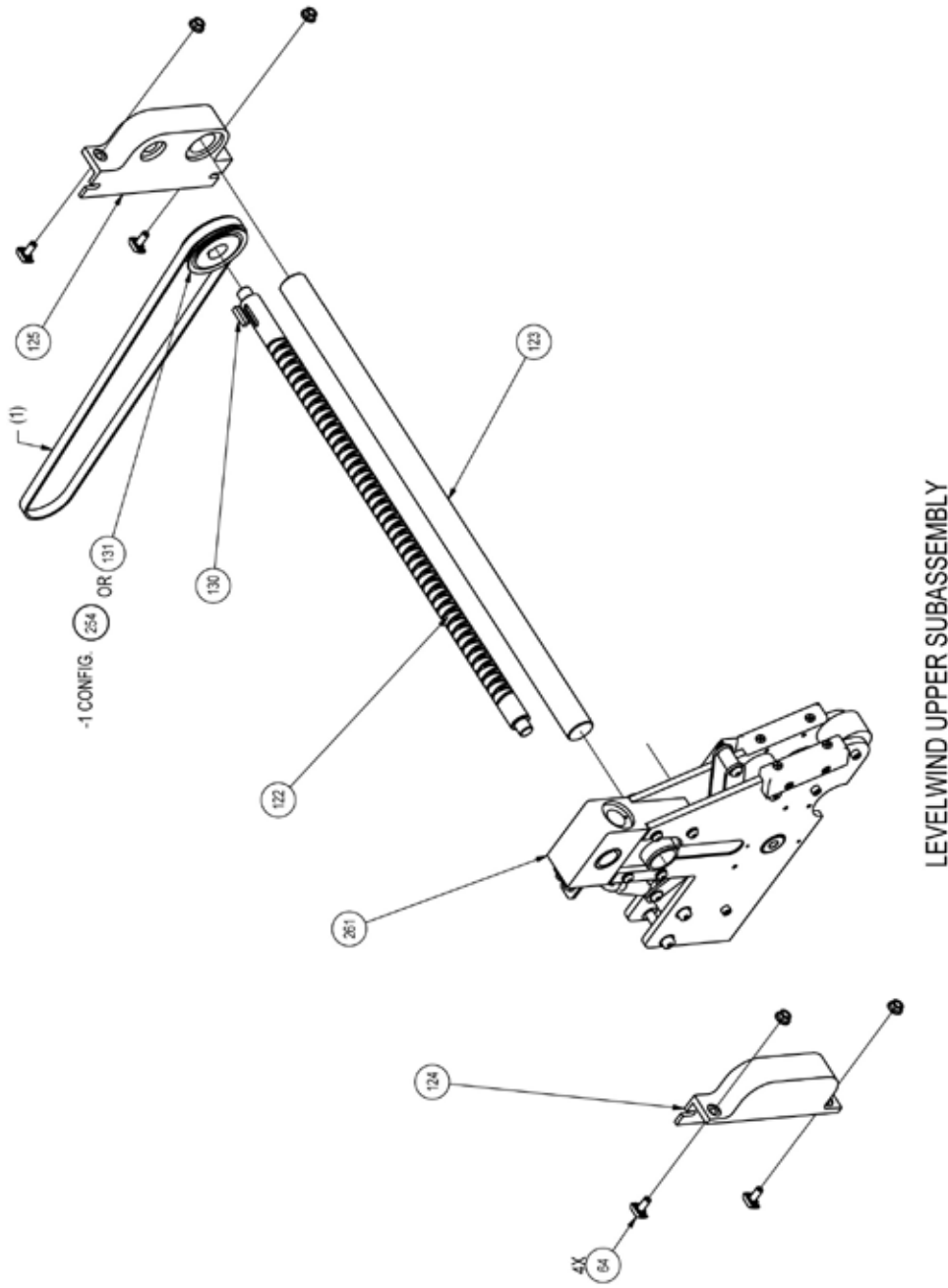


Figure 7e: Reel Assembly, Portable, MD330

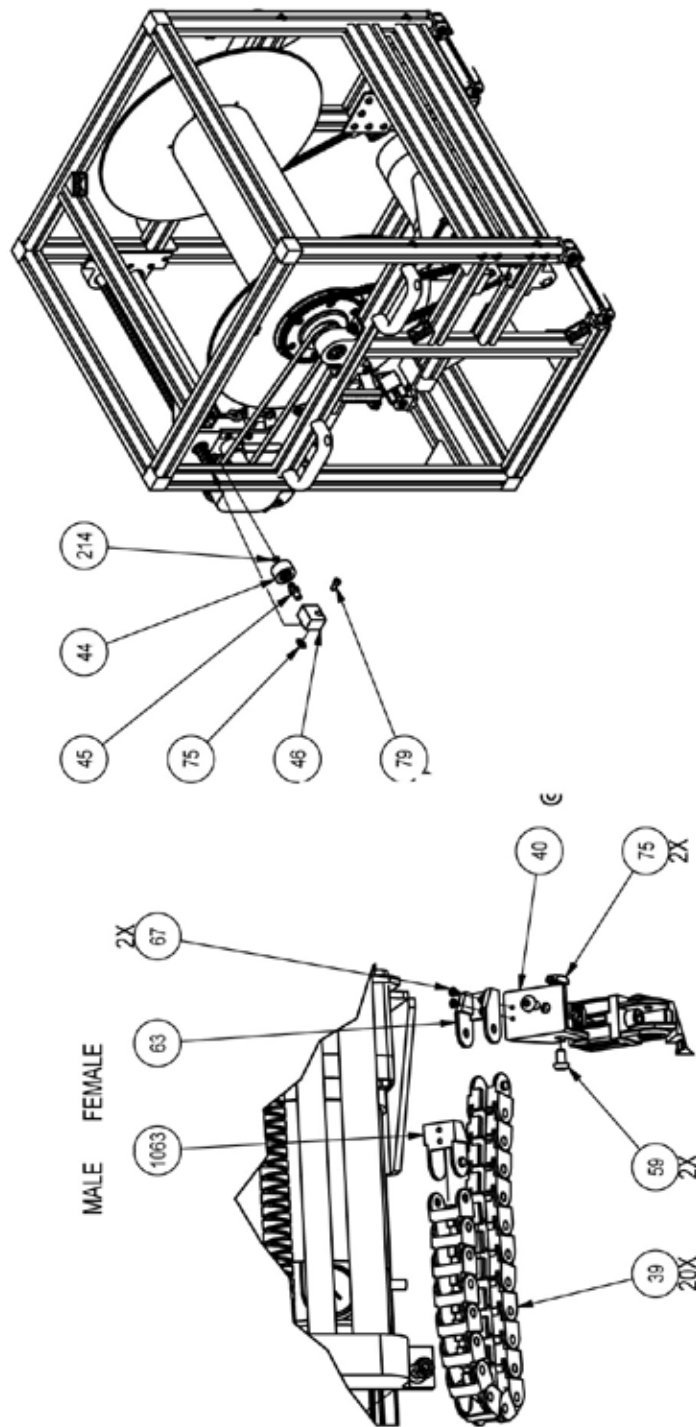


Figure 7f: Reel Assembly, Portable, MD330

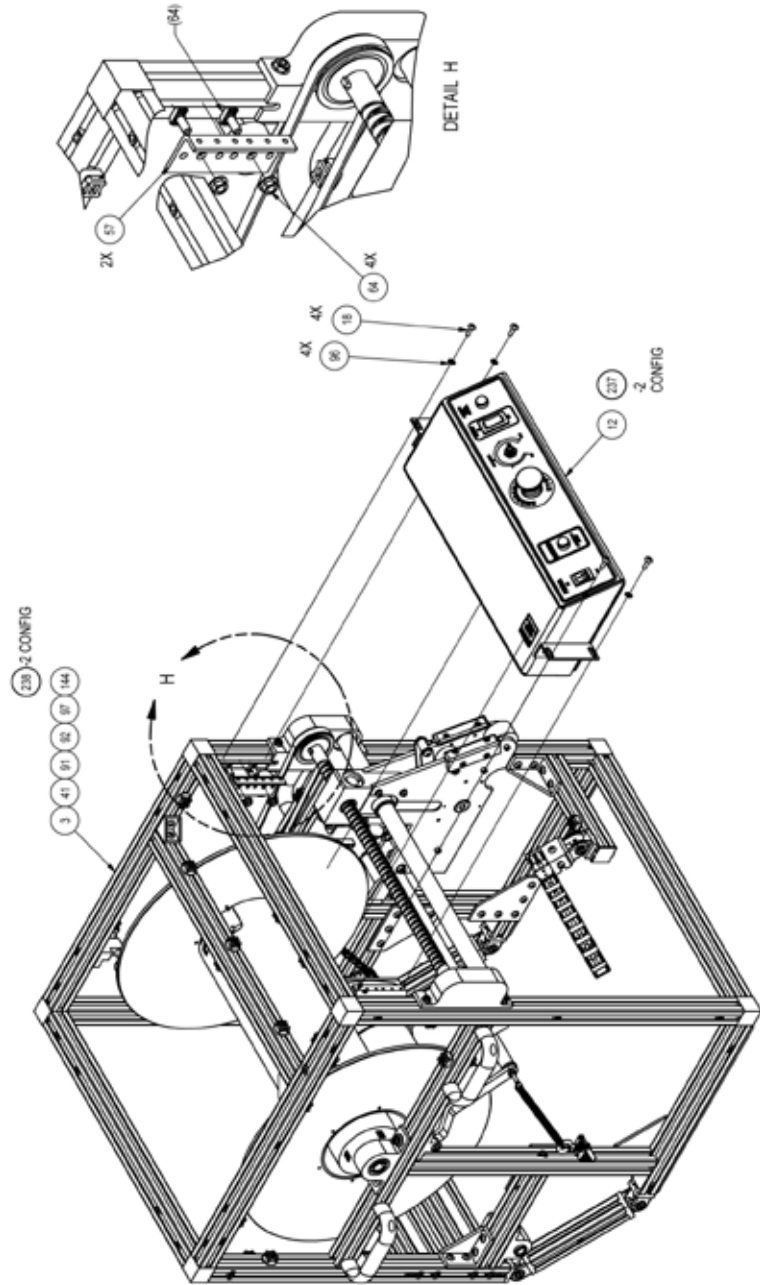
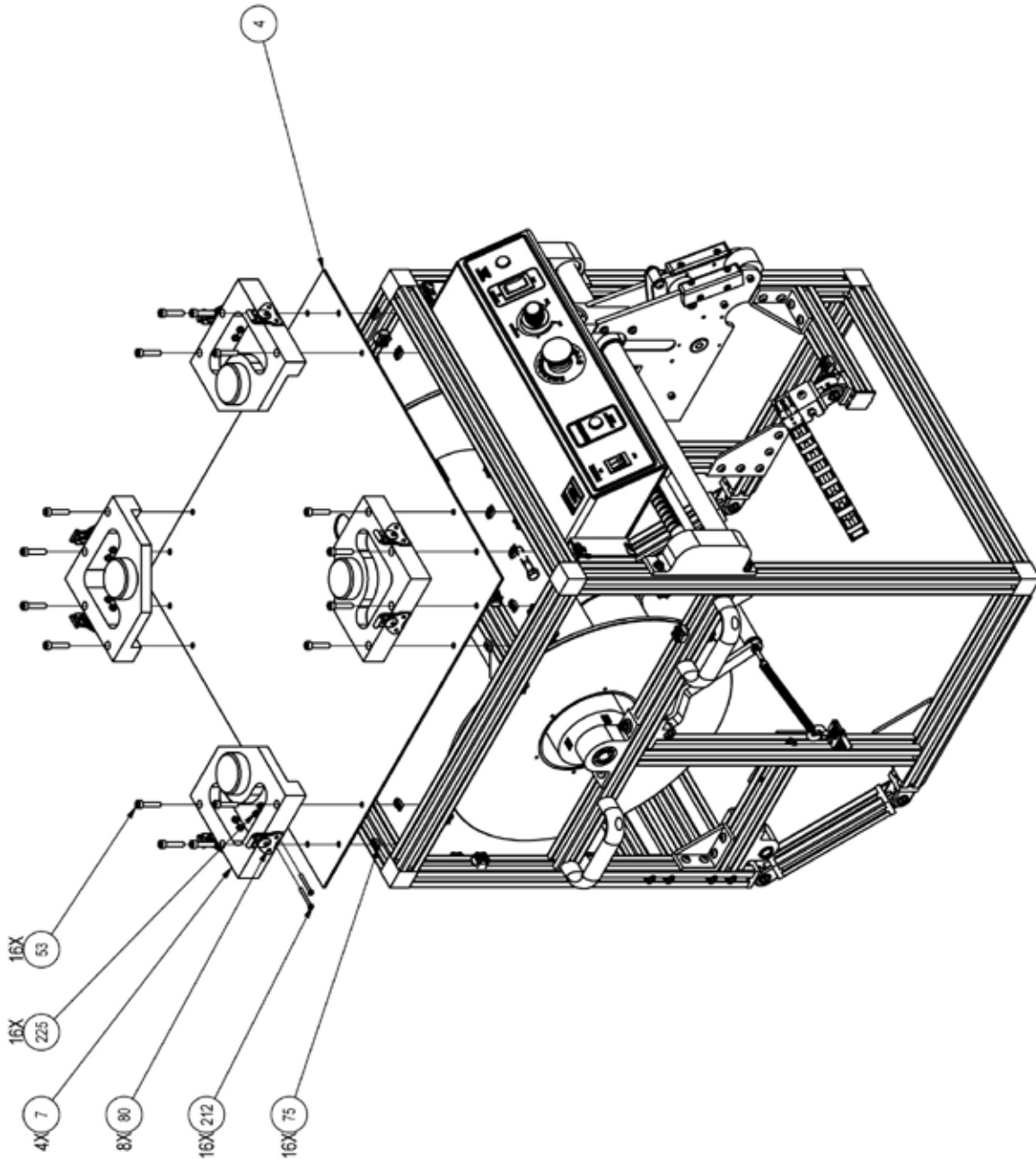
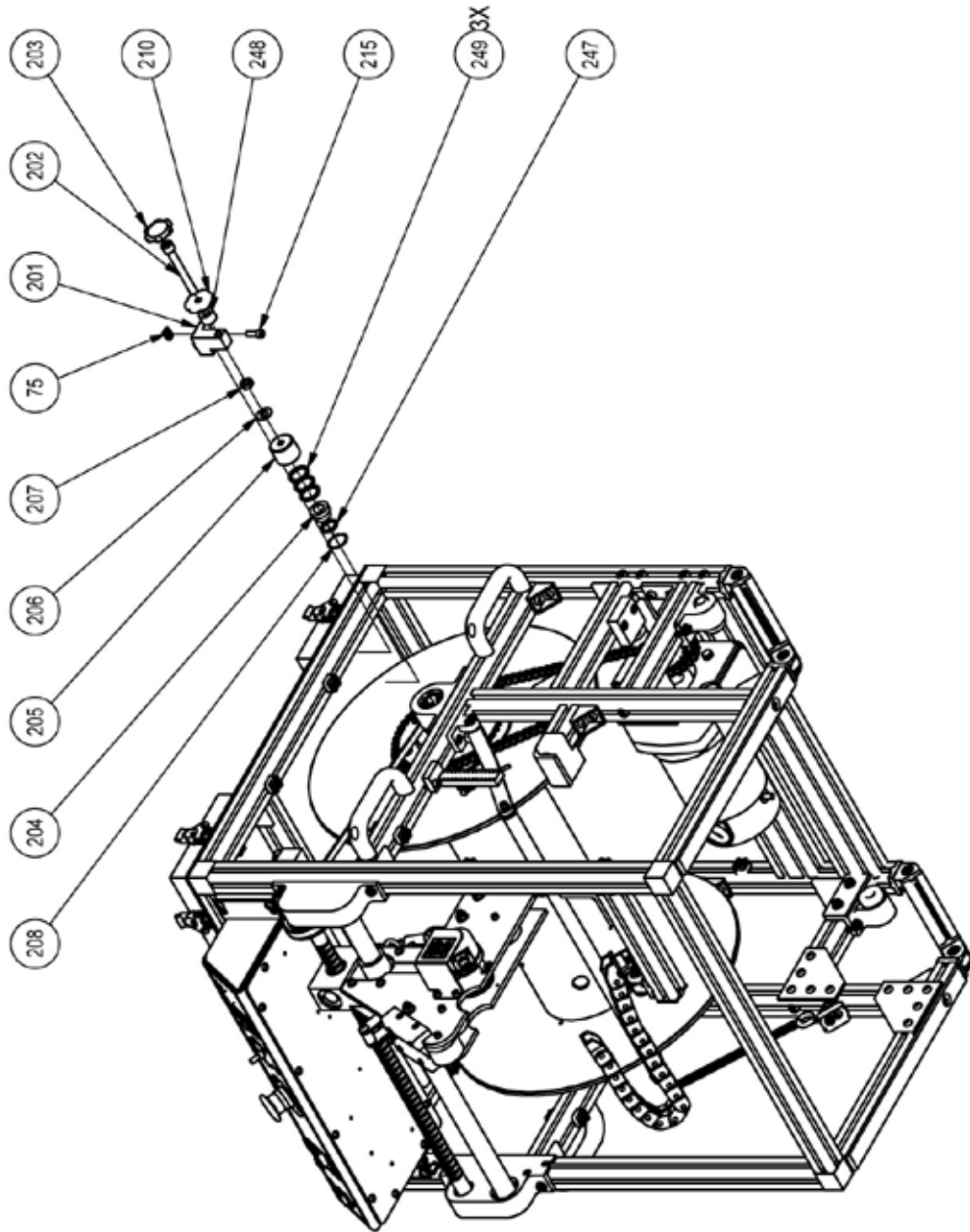


Figure 7g: Reel Assembly, Portable, MD330



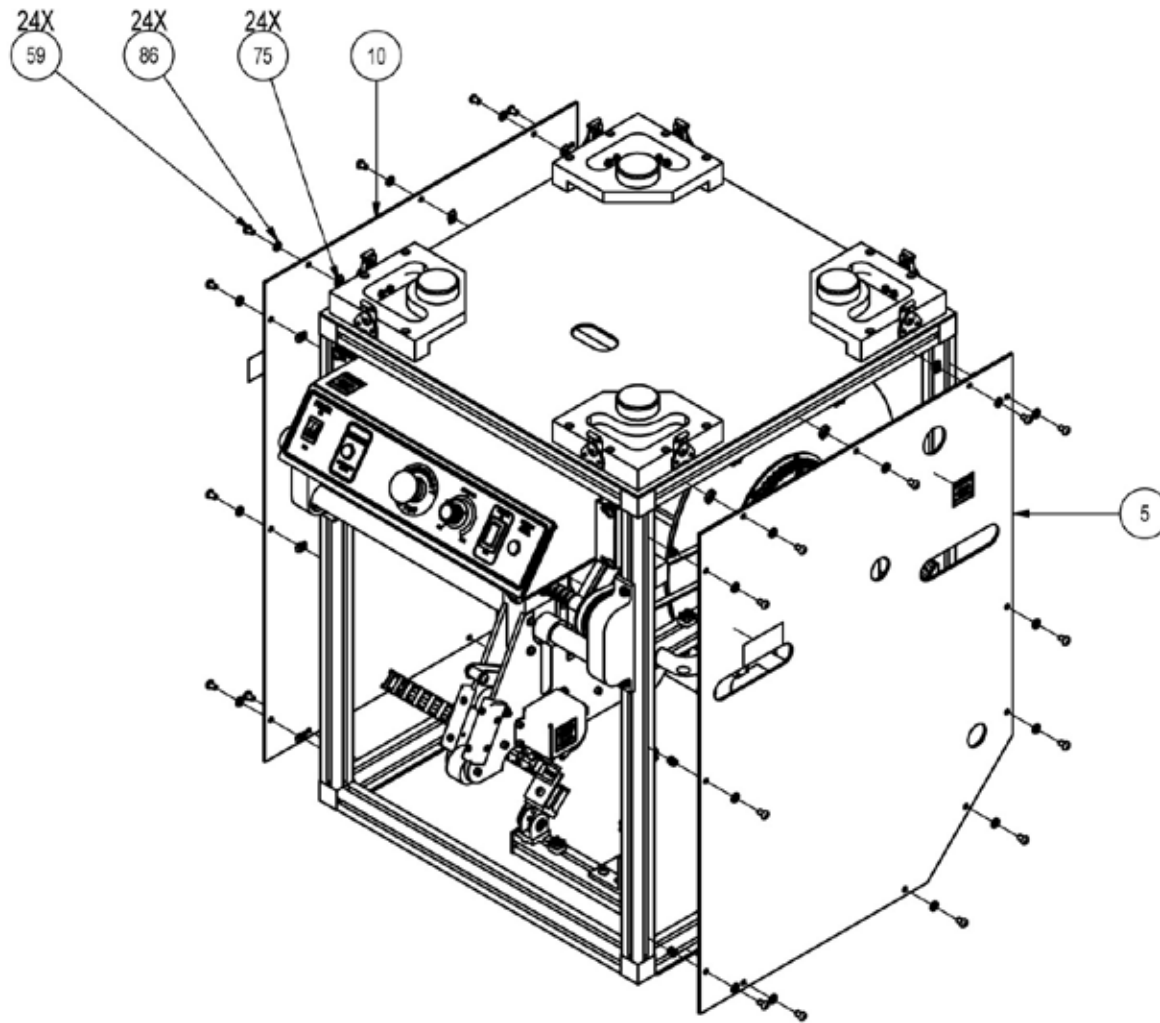
*Figure 7h: Reel Assembly, Portable, MD330*





MANUAL BRAKE INSTALLATION

Figure 7i: Reel Assembly, Portable, MD330



SIDE COVERS INSTALLATION

*Figure 7j: Reel Assembly, Portable, MD330*

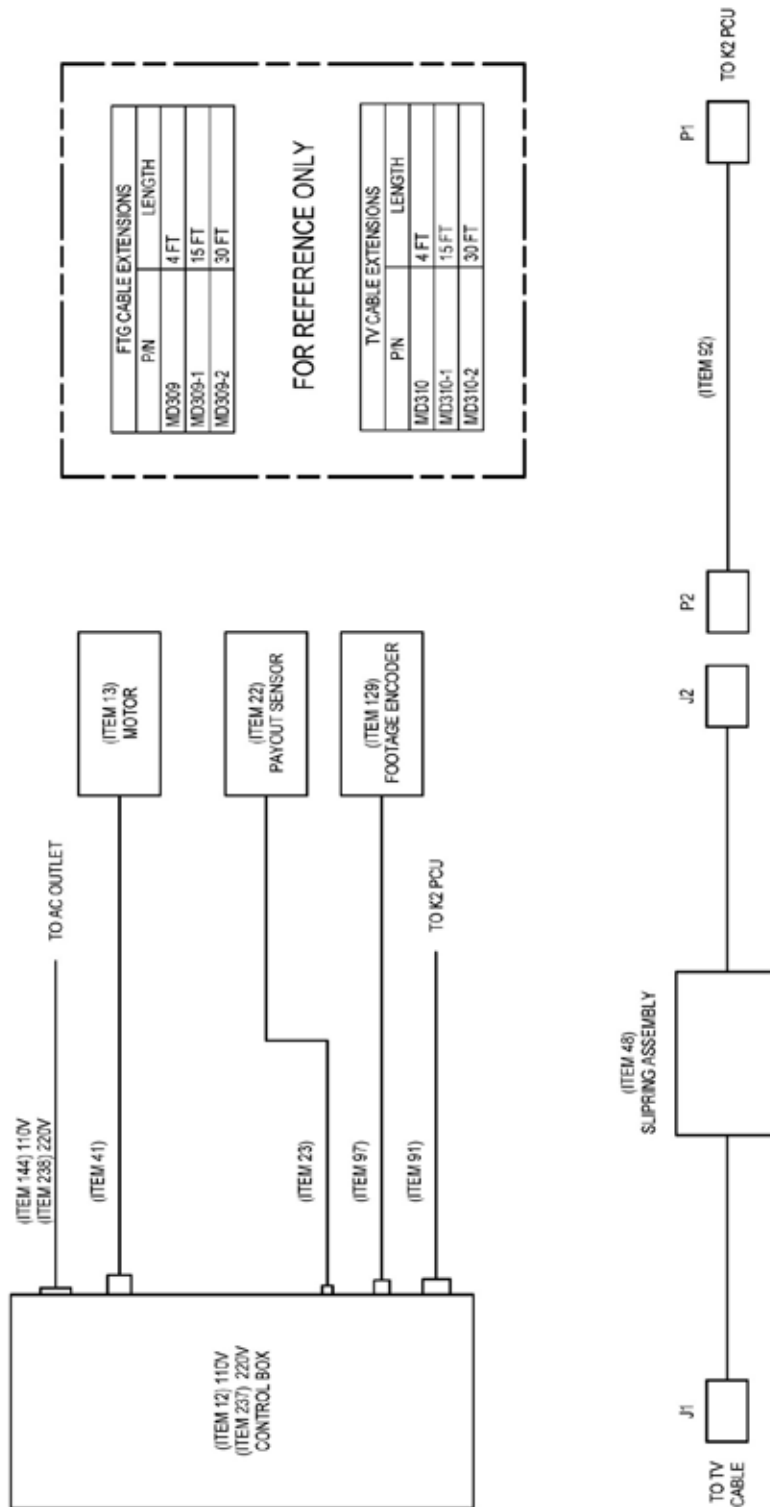
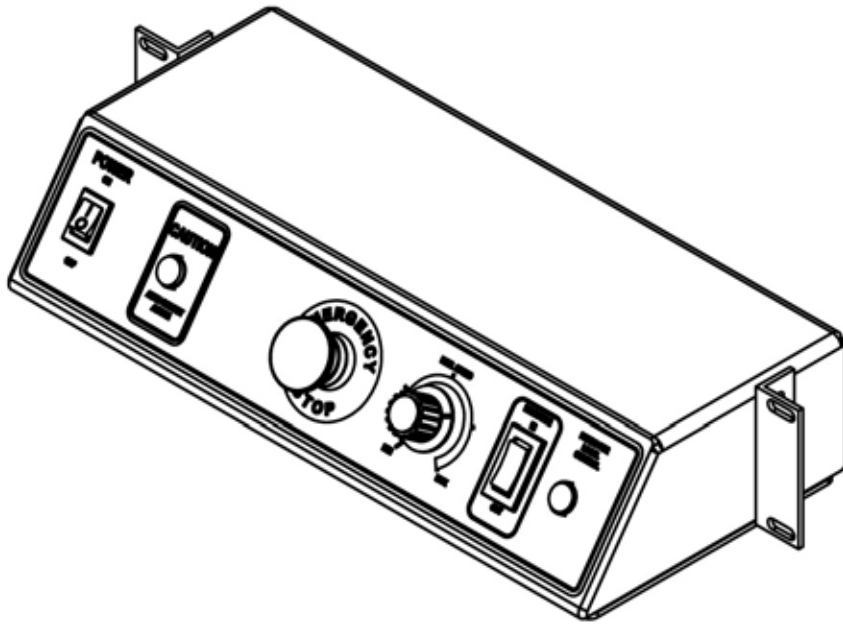


Figure 7k: Reel Assembly, Portable, MD330

<b>Reel Assembly, Portable, MD330, (See Figure 7), Rev. J</b>			
0001	BELT,TIMING,L PITCH,170 GROOVE 3/8W	HW1680	1
0003	CAGE,PORTABLE REEL,K2	MD301	1
0004	COVER,CAGE TOP,PORTABLE REEL	MD014	1
0005	COVER,SIDE,RL CAGE,PORT,PRTBL RL	MD044	1
0006	T-BLOCK,SWIVEL,M6,30MM PROFILE	HW1678	1
0007	BLOCK,SECURING,PCU CASE>REEL,PRT RL	MD015	4
0008	CLEVIS,ARM,PAYOUT ASSY,PRT RL	MD041	2
0009	DRUM ASSY,K2,PORTABLE REEL	MD329	1
0010	COVER,SIDE,RL CAGE,STARBRD,PRTBL RL	MD044-1	1
0011	PILLOW BLOCK,1.00 BORE	MD035	2
0012	CONTROL BOX ASSY,PORTABLE REEL,K2	MD304	1
0013	MOTOR,ELEC,1/4 HP DC BODINE	EL224	1
0015	SHAFT,DRUM,K2,PORTABLE REEL	MD173	1
0017	MRO-TIE,CABLE,14"X5/16"BLACK	440305	1
0018	SCREW,TRUSS,10-32X5/8 PHIL SST	712450	4
0022	SENSOR,PROXIMITY,8MM,EXT.RANGE	EC1377	1
0023	CABLE,PYOT SNSR,K2 REEL CNTRLLR,36"	MD308	1
0024	ARM,PAYOUT SENSOR,K2 REEL	MD040	2
0025	SCREW,PAN,4-40X1/2 PHIL SST	HW246	2
0026	ROLLER ASSY,PAYOUT,K2	MD167	1
0028	BRACKET,PROXIMITY SNSR	MD051	1
0030	SCREW,SHLDR,1/4-20X5/16X1/2,SS,SLOT	HW370	2
0031	WASHER,FLAT,5/16 SST	101741	2
0033	COVER,CAGE BACK,PORTABLE REEL	MD068	1
0034	BUMPER,SWINGARM,AUTO-PAYOUT	MD066	1
0036	SPRING,T-BLOCK,SWIVEL,30MM PROFILE	HW1677	1
0039	E-CHAIN,CBL CAR SYS,20LK,1.32"/0.4M	EC1432	1
0040	BRACKET,CABLE CARRIER	MD064	1
0041	CORDSET,3P,M,MINI,3',SINGLE END	EC1436	1
0044	PULLEY,IDL,R, TMNG BLT,Ø1.38X.75	HW1699	1
0045	SHAFT,IDL,R PULLEY,.25LG,PRTBL RL	HW1700	1
0046	TENSIONER,BELT,AUTO-PAYOUT,PRTBL RL	MD069	1
0047	TENSIONER,CHAIN,P-URETHANE ROLLER	MD085	1
0048	SLIPRING ASSY,K2 REEL	MD071	1
0049	BRACKET,MOTOR MOUNT,REINFORCED	MD072	1
0051	SPROCKET,35P,19 TEETH,Ø3/4BORE	HW1718	1
0052	SCREW,CAP SKT HD,M6 X 10MM,SST	HW1727	5
0053	SCREW,SKT-HD,M6 X 30MM,18-8 SST	HW1731	16
0055	BRACKET,CABLE,30MM PROFILE	HW1694	25

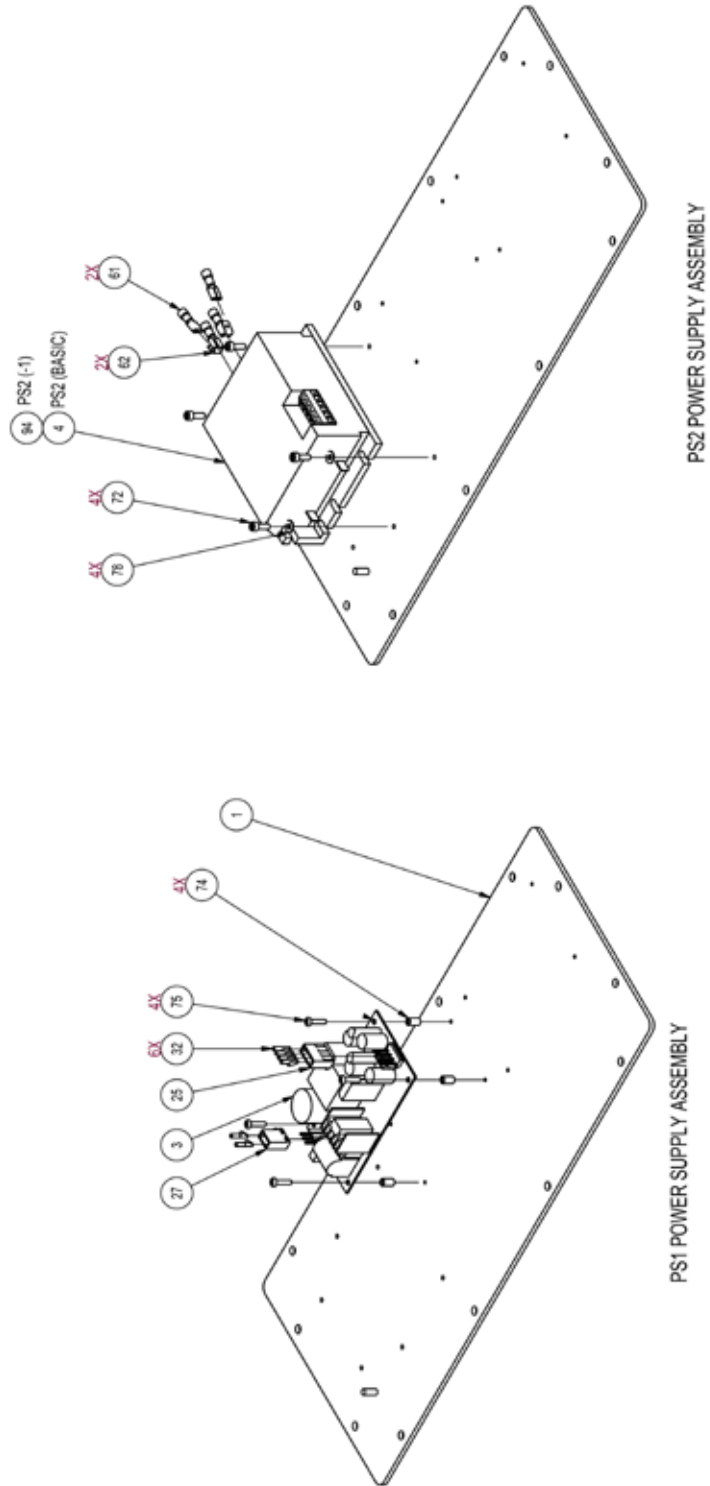
<b>Reel Assembly, Portable, MD330, (See Figure 7), Rev. J</b>			
0057	RACK RAIL,2U,STEEL,IMPERIAL	MR560	2
0058	SCREW,CAP SKT HD,M8 X 25MM,SST	HW1734	1
0059	SCREW,BUTHEXSKT,M6X10MM,18-8,NYLPCL	HW1930	37
0060	HAND CRANK,PORTABLE REEL	MD056	1
0061	CHAIN,#35 X 3/8P,PRESTRSS,PER FOOT	300900	1
0062	MASTER LINK F/#35 3/8P CHAIN	300901	1
0063	BRACKET SET,MALE/FEM,MNT,E-CHAIN	EC1433	1
0064	BOLT,T,8MM,M6X14MM,REXROTH	HW1681	12
0065	BOLT,HEX,1/4-28X3/4 GR5 PL	100990	4
0066	WASHER,SPLIT 1/4 PLD	101033	4
0067	SCREW,FLAT,PHIL,M3X6MM,18-8 SST	HW1820	2
0070	WASHER,FLAT,#10 SST	100140	2
0075	NUT,T,8MM,M6,BOSCH REXROTH	HW1634	61
0079	SCREW,CAP SKT HD,M6X14MM,SST	HW1691	3
0080	LATCH,BUTTERFLY,LOW PROFILE,BLK,SST	HW1769	8
0082	WASHER,FLAT,1/4 USS PLD	101032	4
0086	WASHER,FLAT,M6XØ12X1.5MM SST	HW1738	34
0091	CABLE,CCU TO REEL CONTROLLER	RL366	1
0092	CABLE,CPR,VID CBL,CTRL BX>RL,4'	RL367	1
0096	WASHER,EXT TOOTH,#10,18-8,SST	HW1919	4
0097	CABLE,M12 F>5-P M,LED,RIGHT ANGLE	EC1464	1
0102	ROLLER,CHAIN,Ø34X24MM PURETHANE	HW1746	1
0122	SCREW,LEVELWIND,PORTABLE REEL	MD038	1
0123	GUIDE SHAFT,PORTABLE REEL	MD039	1
0124	BRACKET,SUPPORT LEFT LEVELWIND	MD028-1	1
0125	BRACKET,SUPPORT RIGHT LVLWIND,K2	MD029-1	1
0126	PAWL,LEVELWIND,LAMP LATERAL REEL	LT276	1
0127	COVER,PAWL,LEVELWIND,LMP LAT.RL	LT277	1
0128	SCREW,CAP,SKT HD,6-32X3/8,SST	105071	2
0130	KEY,SQUARE,.188 SQ X .75LG,1018	MD081	1
0131	PULLEY,TIMING,1/5PX30T,3/8 BELT	HW1623	1
0144	CORD,POWER COLOR SCOUT	165006	1
0201	BRACKET,BRAKE,PORTABLE REEL,K2	MD101	1
0202	SCREW,CAP SKT,3/8-16X3,FULL THD,SS	HW1770	1
0203	KNOB,THUMB SCREW,F/3/8 SCREW	HW1739	1
0204	PAD,DELTRIN,BRAKE,.63"LG,K2&MP2020	MD084	1
0205	CAN,PAD,BRAKE,PORTABLE REEL,K2	MD102	1
0206	WASHER,FLAT,3/8 SAE	101236	1
0207	NUT,JAM,PLATED,3/8-16	101241	1

<b>Reel Assembly, Portable, MD330, (See Figure 7), Rev. J</b>			
0208	RING,RETAIN,SPIRAL IN,Ø1.000,SS	HW1752	1
0210	THUMBNUIT,BRAKE,PORTABLE REEL,K2	MD103	1
0211	BOLT,T,8MM,M6X18MM,REXROTH	HW1682	8
0212	SCREW,PAN,6-32X1 1/4 PHIL SST	100106	16
0214	RETAIN RING,.350IDX.415ODX.023W,SST	HW1017	1
0215	SCREW,SHCS,M6-1 X 18MM,A2 SST	HW1805	2
0216	MRO-REMOVABLE LCK,ND 121200-50,BLUE	440061	1
0217	MRO-LUBRICANT,LPS CHAINMATE,11-OZ	CS478	1
0218	TUBE,SHRINK,BLACK 3/16"RNF	712577	1
0219	TUBING,HEATSHRINK,SELFSEAL,.75DIA	CS147	1
0220	COVER PROFILE,30MM EXT	MR545	1
0221	TUBING,SPIRAL WRAP,BLK,POLY,1"	CS410	1
0222	LABEL,CAUTION,DISNG BRKE,1.40X1.38	MD159	2
0224	LABEL,PINCH PNT,CAUTION,2.75X1.35"	CS257	2
0225	NUT,KEP,6-32,SS	HW941	16
0231	SCREW,CAP,SOC HEAD,10-32X5/8,SST	HW134	2
0236	WASHER,SPLIT LOCK,#10 SST	101739	2
0239	MRO-PERMANENT LOCK,ND 140500-50,RED	440060	1
0240	BRACKET,WHEEL ATTCHMNT,PRT RL	MD036	2
0241	SPACER,4/40 X 1/8 ALUM, .125LG	HW723	2
0242	WASHER,FLT,.315IDX.875ODX.025,NYLON	HW1924	2
0243	SCREW,HEXHD,1/4-20X2"LG,18-8,SST	HW1926	2
0244	WASHER,FLT,.281IDX1ODX.125,BLK STL	HW1923	2
0245	WASHER,SPLIT LOCK,1/4"SST	101740	4
0246	NUT,LOCK W/NYL INS 1/4-20 SST	HW030	2
0247	O-RING,2-115,EPDM NSF 61	HW1617	1
0248	SPACER,.380ID X .75OD, X.5LG,ALUM	HW1934	1
0249	WASHER,HOSE RUBBER	109302	3
0261	FOOTAGE HEAD ASSY,K2	MD333	1
0262	STRIP,WEATHER CL CELL 1/4X2 W/ADH	130029	1



CONFIGURATION LIST	
PART NUMBER	DESCRIPTION
MD304	CONTROL BOX ASSY, PORTABLE REEL, K2 (110 VAC)
MD304-1	CONTROL BOX ASSY, PORTABLE REEL, K2 (220 VAC)

*Figure 8: Control Box Assembly, Portable Reel, K2, MD304*



**Figure 8a:** Control Box Assembly, Portable Reel, K2, MD304



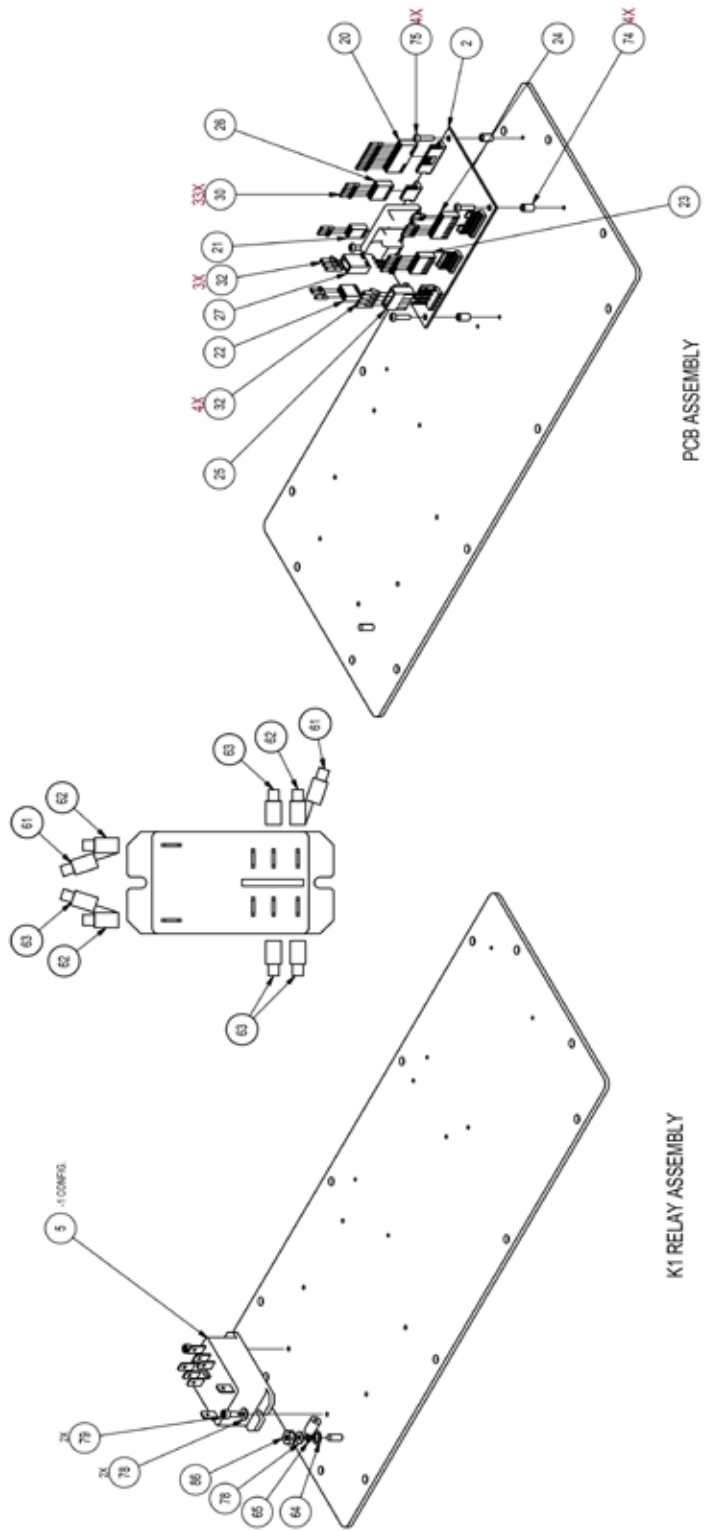


Figure 8b: Control Box Assembly, Portable Reel, K2, MD304

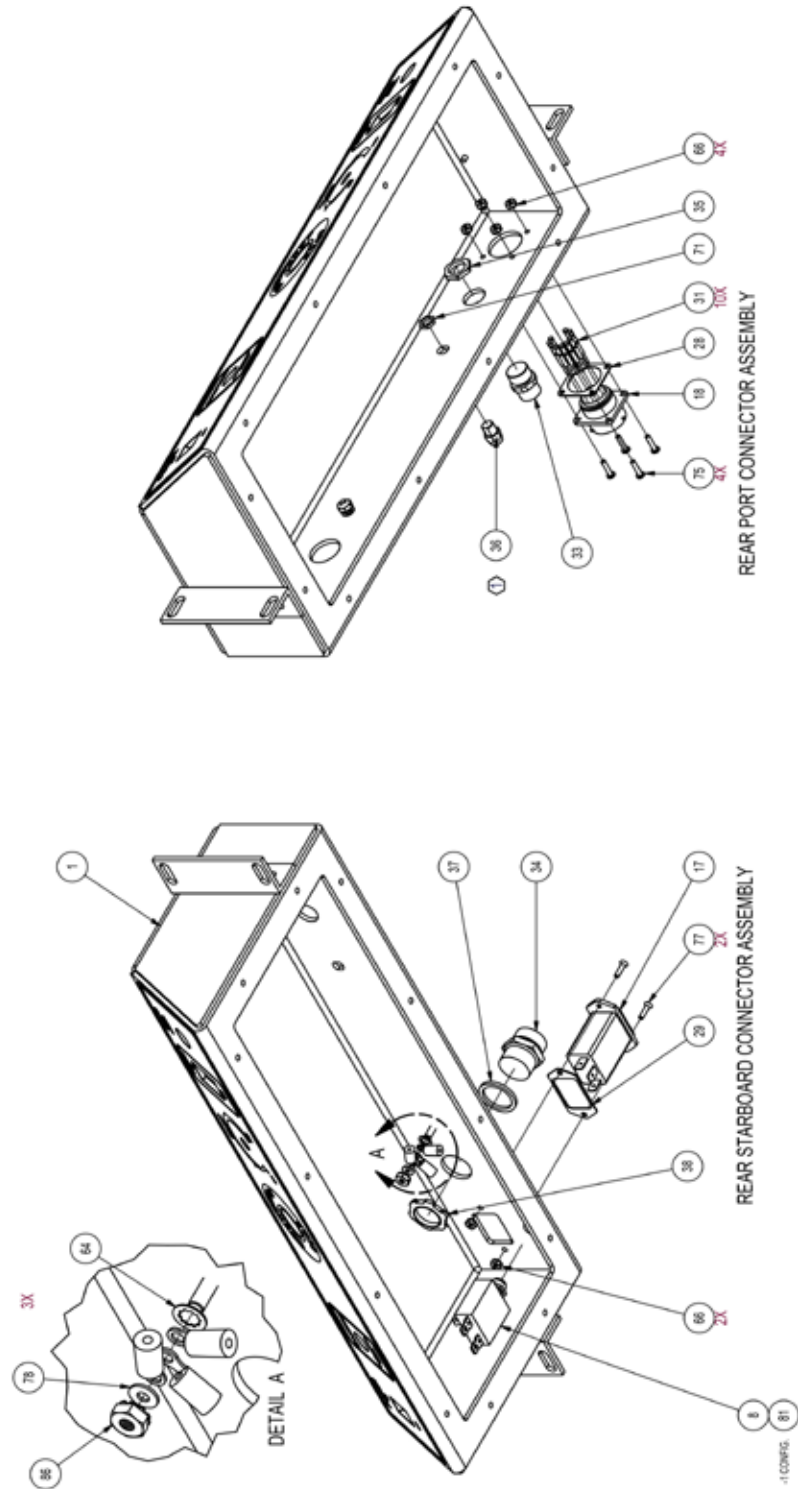


Figure 8c: Control Box Assembly, Portable Reel, K2, MD304

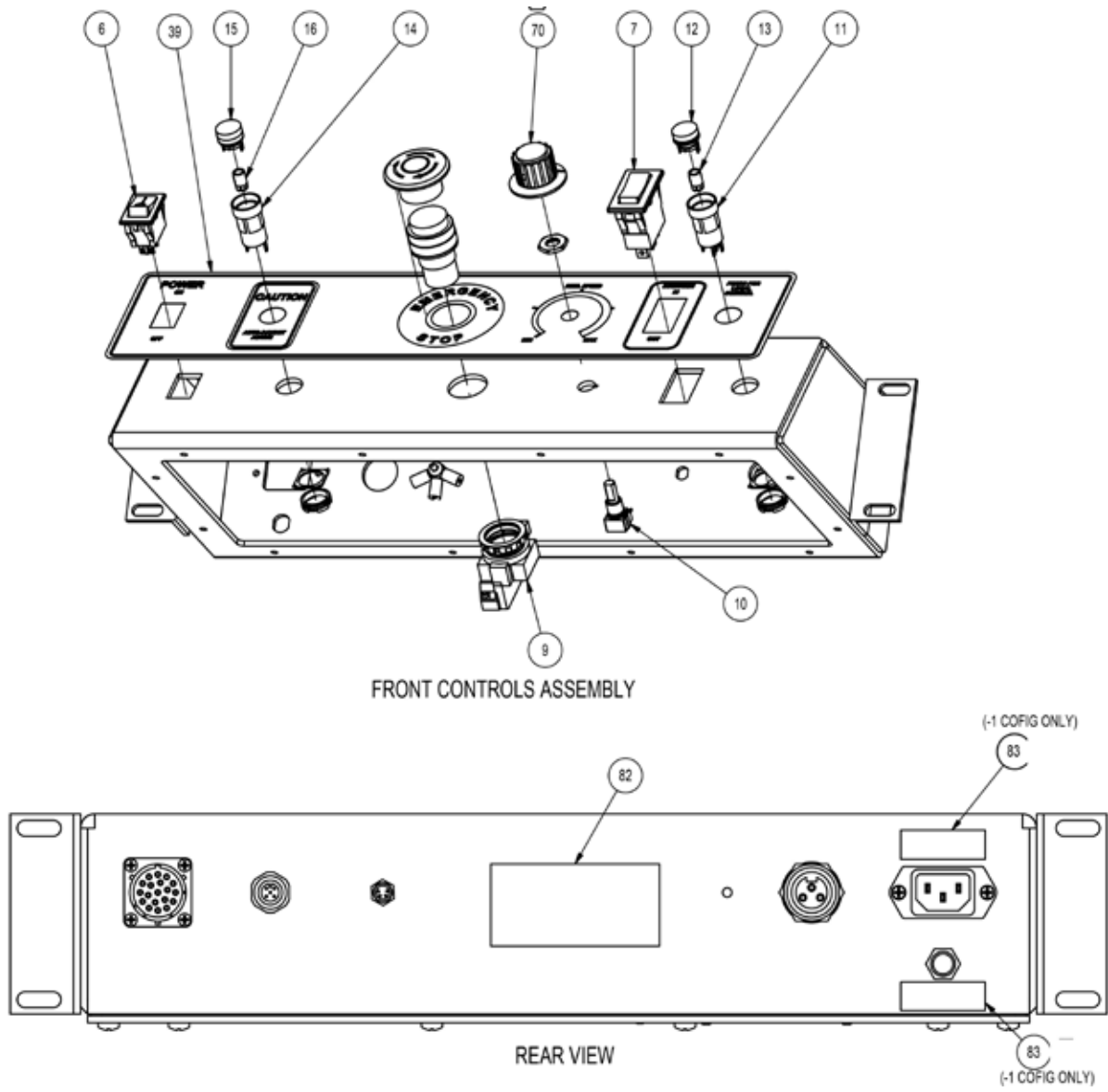
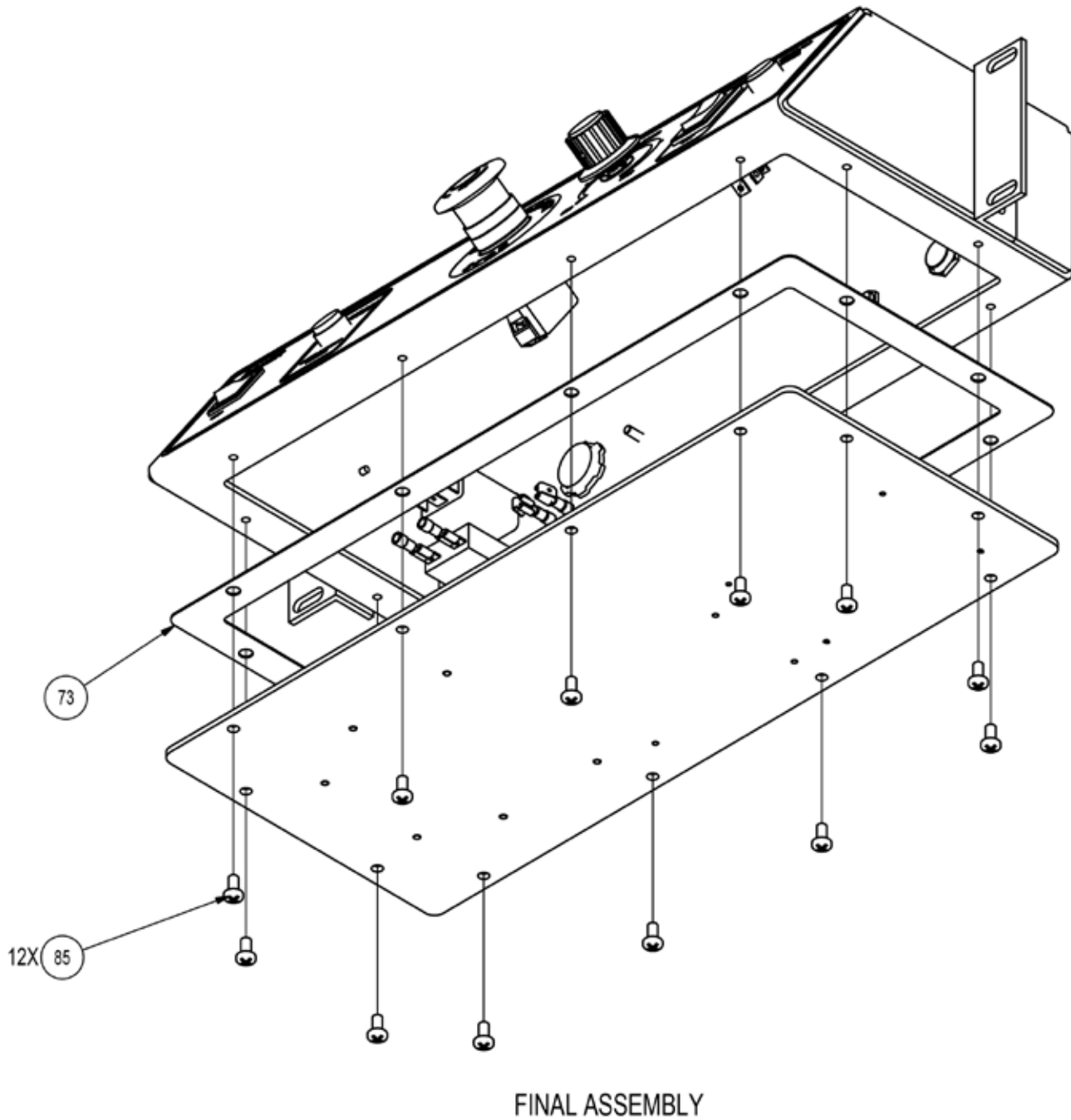


Figure 8d: Control Box Assembly, Portable Reel, K2, MD304



*Figure 8e: Control Box Assembly, Portable Reel, K2, MD304*

<b>CONTROL BOX ASSY, PORTABLE REEL, K2, (See Figure 8), Rev. K, MD304</b>			
ITEM #	Description	Part Number	Quantity
1	ENCLOSURE CONTROLLER,PRT RL	MD048	1
2	PCB ASSY,K2 REEL CONTROL,ENHANCED	MD410	1
3	POWER SUPPLY,DUAL,+/-12V,24W,ASTRD	EC1406	1
4	MOTOR DRIVER F/MD304	EC1326-2	1
5	RELAY,DPDT,120VAC COIL,FLANGE MNT	EC1354	1
6	SWITCH,DPST,ROCKER,10A,125/250VAC	EC1407	1
7	SWITCH,SPDT,ON-NONE-ON,15A,NKK	EC1435	1
8	CIRCUIT PROTECTOR,PUSHBUTTON,12A	EC1382	1
9	PUSHBOTTON,E-STOP,40MM,PUSHLOCK	EC1380	1
10	POT,10K,PNL MT	EC1215	1
11	BASE,SWTCH,PSHBTN,DPDT,MOM,IDEC	EC1408	1
12	LENS,SWITCH,ROUND,GREEN,IDEC	EC1410	1
13	LED,PILOT LIGHT,12V,GREEN,IDEC	EC1409	1
14	BASE,PILOT LIGHT,IDEC,16MM	EC1411	1
15	LENS,PILOT LIGHT,ROUND,AMBER,IDEC	EC1413	1
16	LED,PILOT LIGHT,12V,AMBER,IDEC	EC1412	1
17	CONNECTOR,IEC,15A,W/LINE FILTER	EC1309	1
18	CONNECTOR,19P,RECEP,W/PINS,REV SEX	EC1261	1
20	HOUSING,10PIN LOCKING,MOLEX	EL974	1
21	HOUSING,3-PIN LOCKING	730165	1
22	HOUSING,4-PIN LOCKING	712783	1
23	HOUSING,6-PIN LOCKING	712778	1
24	HOUSING,8-PIN,0.100,LOCKING	EC816	1
25	CONNECTOR,4PIN,CRIMP HOUSING.156	EC559	2
26	HOUSING,5-PIN LOCKING	730166	1
27	CONNECTOR,HOUSING,3PIN,.156",CRIMP	EC736	1
28	GASKET,CONNECTOR,SHELL SIZE 16	MD080	1
29	GASKET,LINE FILTER	MD061	1
30	TERMINAL,CRIMP,BRASS,F/22-30 AWG	730113	33
31	CONTACT,PIN,CRIMP,20-22GA	EC1397	10
32	TERMINAL,CRIMP,.156 PITCH	EC553	10
33	CONNECTOR,BULKHD,FM,5PIN,LUMBERG	EC277	1
34	RECEPTACLE,3PIN,MINI,F,STR	EC1415	1
35	LOCKNUT,PG9 THREADS,LUMBERG	HW299	1
36	CONNECTOR,LUMBERG,PICO,4P,PNL MNT	EC1243	1
37	WASHER,HOSE RUBBER	109302	1
38	LOCKOUT,1/2",F/MINICHANGE RECEPT	EC1128	1

<b>CONTROL BOX ASSY, PORTABLE REEL, K2, (See Figure 8), Rev. K, MD304</b>			
ITEM #	Description	Part Number	Quantity
39	OVERLAY,REEL CONTROL,K2	MD082	1
40	WIRE,#22AWG,BLACK,PVC,STRD	EC407	1
41	WIRE,#22AWG,BROWN,PVC,STRD	EC408	1
42	WIRE,#22AWG,RED,PVC,STRD	EC412	1
43	WIRE,#22AWG,ORANGE,PVC,STRD	EL441	1
44	WIRE,#22AWG,YELLOW,PVC,STRD	EC414	1
45	WIRE,#22AWG,GREEN,PVC,STRD	EC410	1
46	WIRE,#22AWG,BLUE,PVC,STRD	EC411	1
47	WIRE,#18 BLK/RED,PVC	EL915	1
48	WIRE,#22AWG,GRAY,PVC,STRD	EC409	1
49	WIRE,#22AWG,WHITE,PVC,STRD	EC406	1
50	WIRE,#22,WHITE/BLACK,PVC	EC1088	1
51	WIRE,#22,WHITE/BROWN PVC	EC1087	1
52	WIRE,#22AWG,WHT/RED,PVC,STRD	EC416	1
53	WIRE,#22,WHITE/ORANGE,PVC	EC1089	1
54	WIRE,#22,WHITE/YELLOW,PVC	EC1090	1
55	WIRE,#22 WHITE/GREEN,PVC	EC1084	1
56	WIRE,#22,WHITE/BLUE,PVC	EC1086	1
57	WIRE,#22,WHITE/VIOLET,PVC	EC1085	1
58	WIRE,#18 BLACK	161636	1
59	WIRE,#18 RED	161652	1
60	WIRE,#18 WHITE	161638	1
61	FAST-ON,.250X.032,22-18GA,LG RED	712742	4
62	FAST-ON,MULTI-STCK,.250,16-14GA,INS	HW1443	5
63	FAST-ON,.250X.032,16-14GA,LG BLUE	712736	11
64	WASHER,STAR INTERNAL #8 SST	712392	2
65	TERMINAL,RING,16-14 AWG,#6 STUD,BL	712739	1
66	NUT,KEP,4-40,SS	HW942	6
67	TUBE,SHRINK,BLACK 1/8"	712789	1
70	KNOB,1/4"SHAFT,.75HX.97D,SKIRTED	HW1892	1
71	LOCKNUT,LUMBERG,FOR PICO PNL MNT	EC1242	1
72	SCREW,CAP,SKT HD,6-32X3/8,SST	105071-CUES	4
73	GASKET,BASE PLATE,CNTRL BX,RL,MML	MD063	1
74	SPACER,3/16OD X.115ID X 5/16LG,ALUM	HW724	8
75	SCREW,PAN,4-40X1/2 PHIL SST	HW246	12
76	SCREW,FLHD,CROSS-REC,4-40X1/2,SST	HW828	2
78	WASHER,THREAD,SCREW RETAIN,F/WT024	HW1063	8

<b>CONTROL BOX ASSY, PORTABLE REEL, K2, (See Figure 8), Rev. K, MD304</b>			
ITEM #	Description	Part Number	Quantity
79	SCREW,CAP,SKT HD,6-32X5/16,SST	HW475	2
82	LABEL,THERMAL XFR,3.00"W X 2.00"H	CS223	1
85	SCREW,PAN,10-32X3/8 SST	103031	12
86	NUT,KEP,8-32,SS	HW940	2
87	WIRE,#18 VIOLET	161655	1
88	WIRE,#16 BLACK BV 19/29	713300	1
89	WIRE,#16 WHITE BU	713309	1
90	WIRE,#16 BLACK/WHITE	161620	1
91	WIRE,#16 RED WITH BLACK STRIPE PVC	EL001	1
92	WIRE,#16 RED 100OV	713302	1
93	WIRE,#16 GREEN BU 19/29	713305	1

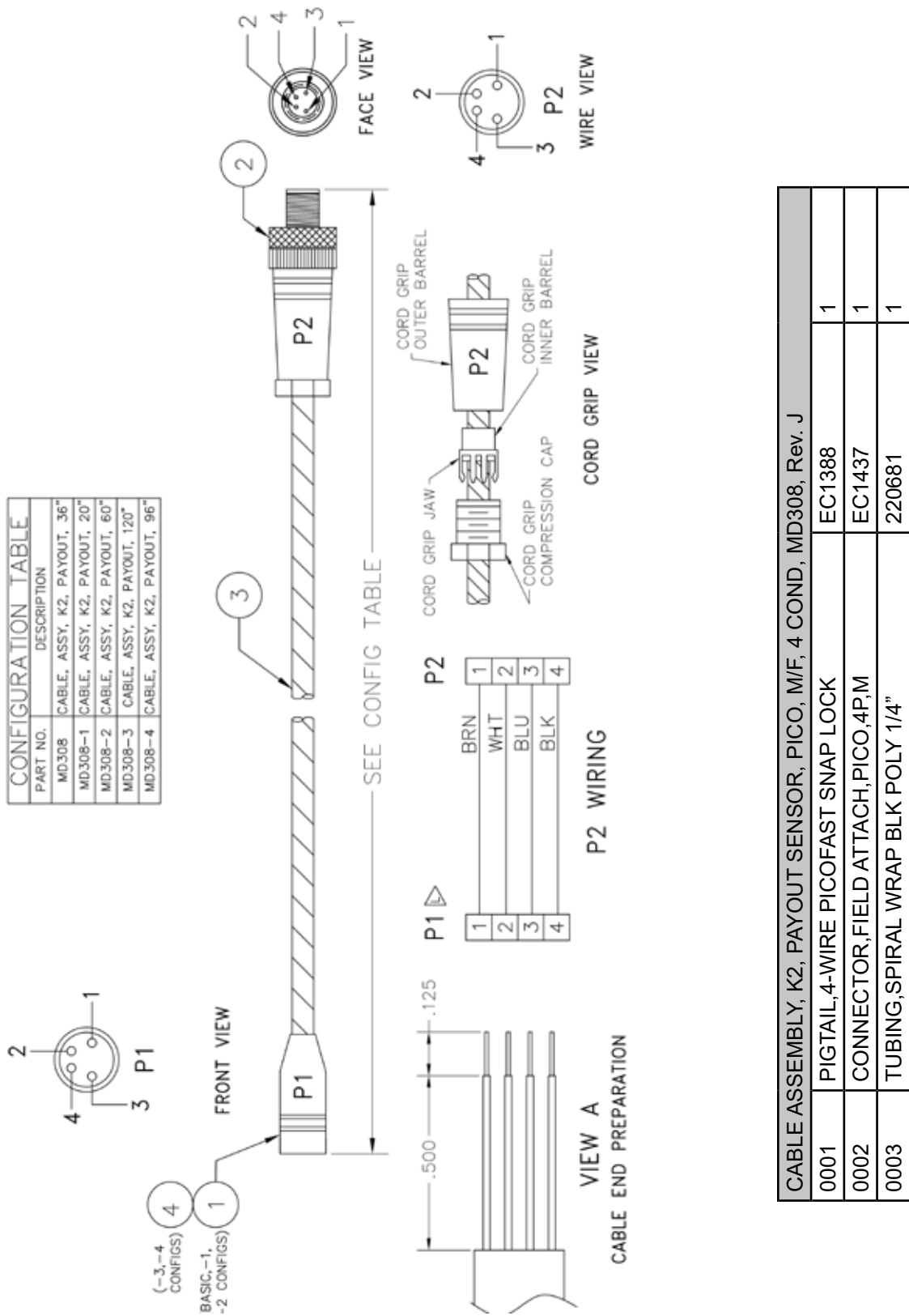
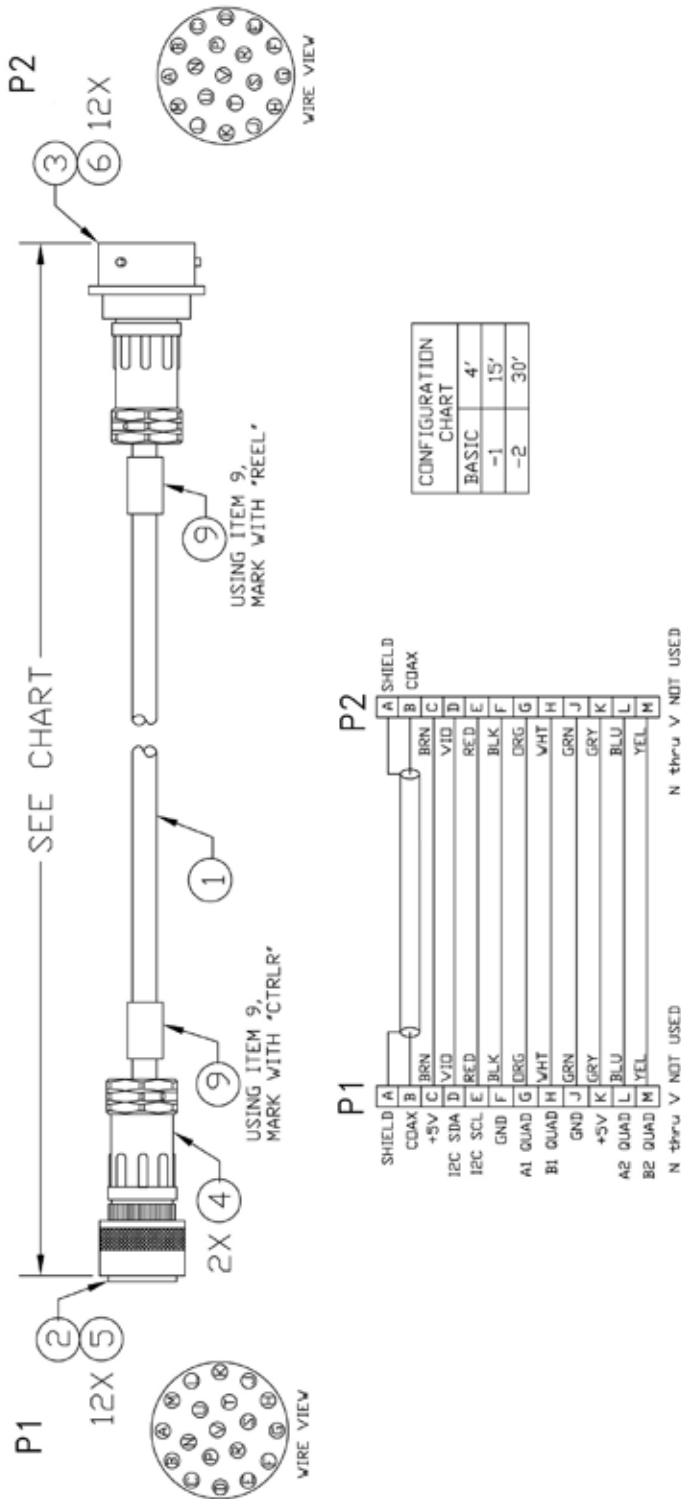


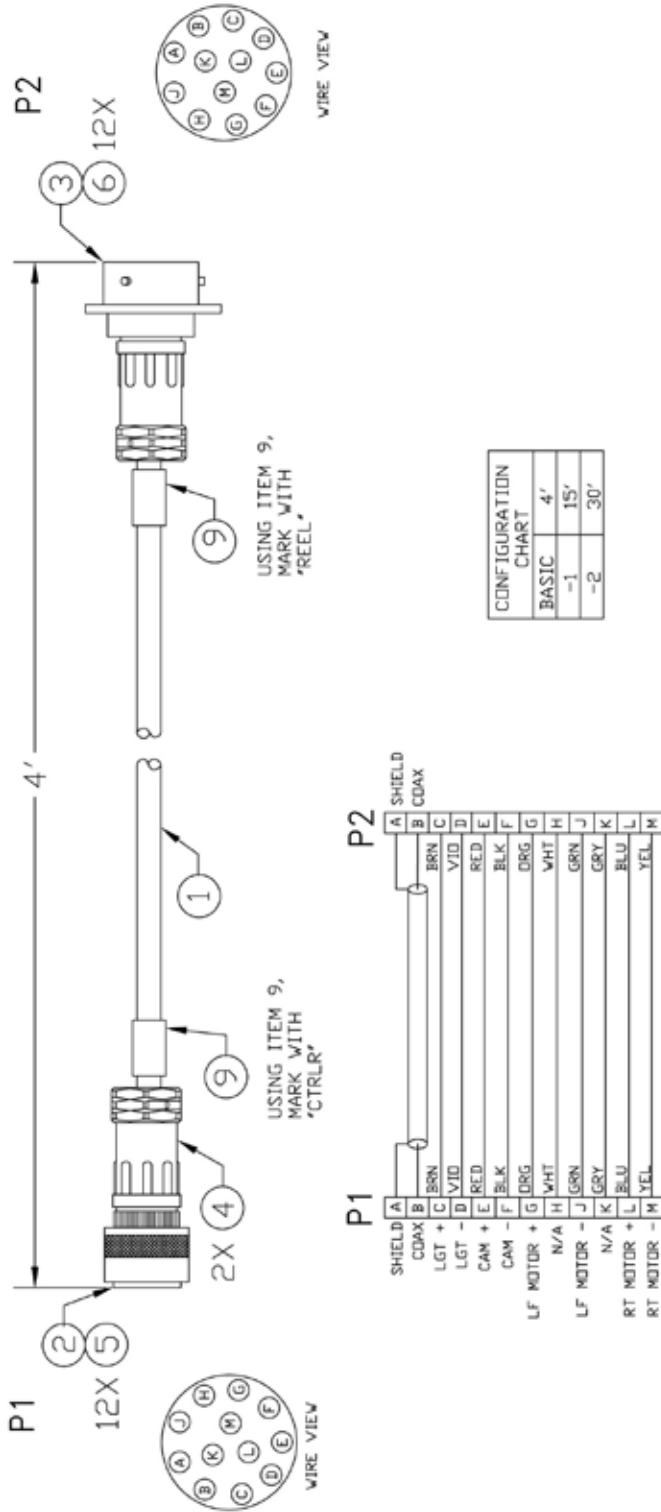
Figure 9: Cable Assembly, K2, Payout Sensor, PICO, M/F, 4 Cond, MD308





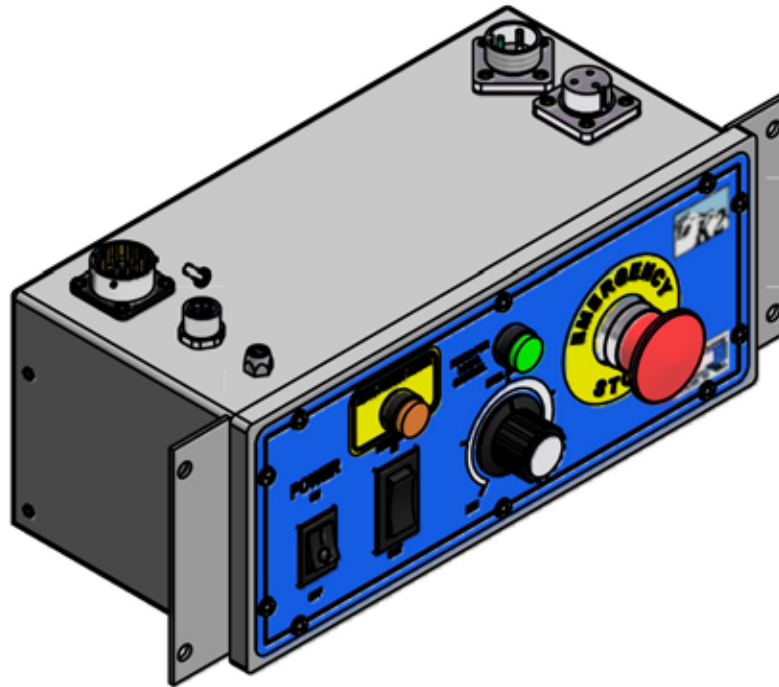
CABLE ASSEMBLY, K2, FTG, CBL, EXT, CTR, BX / REEL, MD309, Rev. A			
0001	CABLE, 11 CONDUCTOR, GRAY, PVC	CR006	4
0002	CONNECTOR, 19P, PLG W/PINS, STD SEX	EC1369	1
0003	CONNECTOR, 19P, RECP, W/SKT, STD SEX	EC1262	1
0004	BACKSHELL, CABLE CLAMP, SEALED, SZ 16	EC1372	2
0005	CONTACT, PIN, CRIMP, 16-20GA	EC1249	12
0006	CONTACT, SOCKET, CRIMP, 16-20GA	EC1250	12
0007	TUBE, SHRINK, 1/16"	712593	1
0008	TUBE, SHRINK, BLACK 1/8"	712789	1
0009	LABEL, ID, CABLE MARKER	CS185	2

Figure 10: Cable Assembly, K2, Ftg, Cbl, Ext, Ctr, BX / Reel, MD309



CABLE ASSEMBLY, K2, CBL, EXT, CTR, BX / REEL, MD310, REV. A			
0001	CABLE, 11 CONDUCTOR, GRAY, PVC	CR006	4
0002	CONNECTOR, 12P, PLUG W/PINS, STD SEX	EC1368	1
0003	CONNECTOR, 12P, RECP. W/SCKTS, STD SX	EC1251	1
0004	BACKSHELL, CABLE CLAMP, SEALED, SZ 14	EC1373	2
0005	CONTACT, PIN, CRIMP, 16-20GA	EC1249	12
0006	CONTACT, SOCKET, CRIMP, 16-20GA	EC1250	12
0007	TUBE, SHRINK, 1/16"	712593	1
0008	TUBE, SHRINK, BLACK 1/8"	712789	1
0009	LABEL, ID, CABLE MARKER	CS185	2

Figure 11: Cable Assembly, K2, Cbl, Ext, Ctr, BX / Reel, MD310



CONFIGURATION LIST	
PART NUMBER	DESCRIPTION
MD316	CONTROLLER, ENCLOSURE ASSY, TRUCK MOUNT, K2, 110 VAC
MD316-1	CONTROLLER, ENCLOSURE ASSY, TRUCK MOUNT, K2, 220 VAC
MD316-2	CONTROLLER, ENCLOSURE ASSY, TRUCK MOUNT, K2, 110 VAC, BLK
MD316-3	CONTROLLER, ENCLOSURE ASSY, TRUCK MOUNT, K2, 220 VAC, BLK

*Figure 12: Controller Assembly, Reel, Truck Mount, MD316*

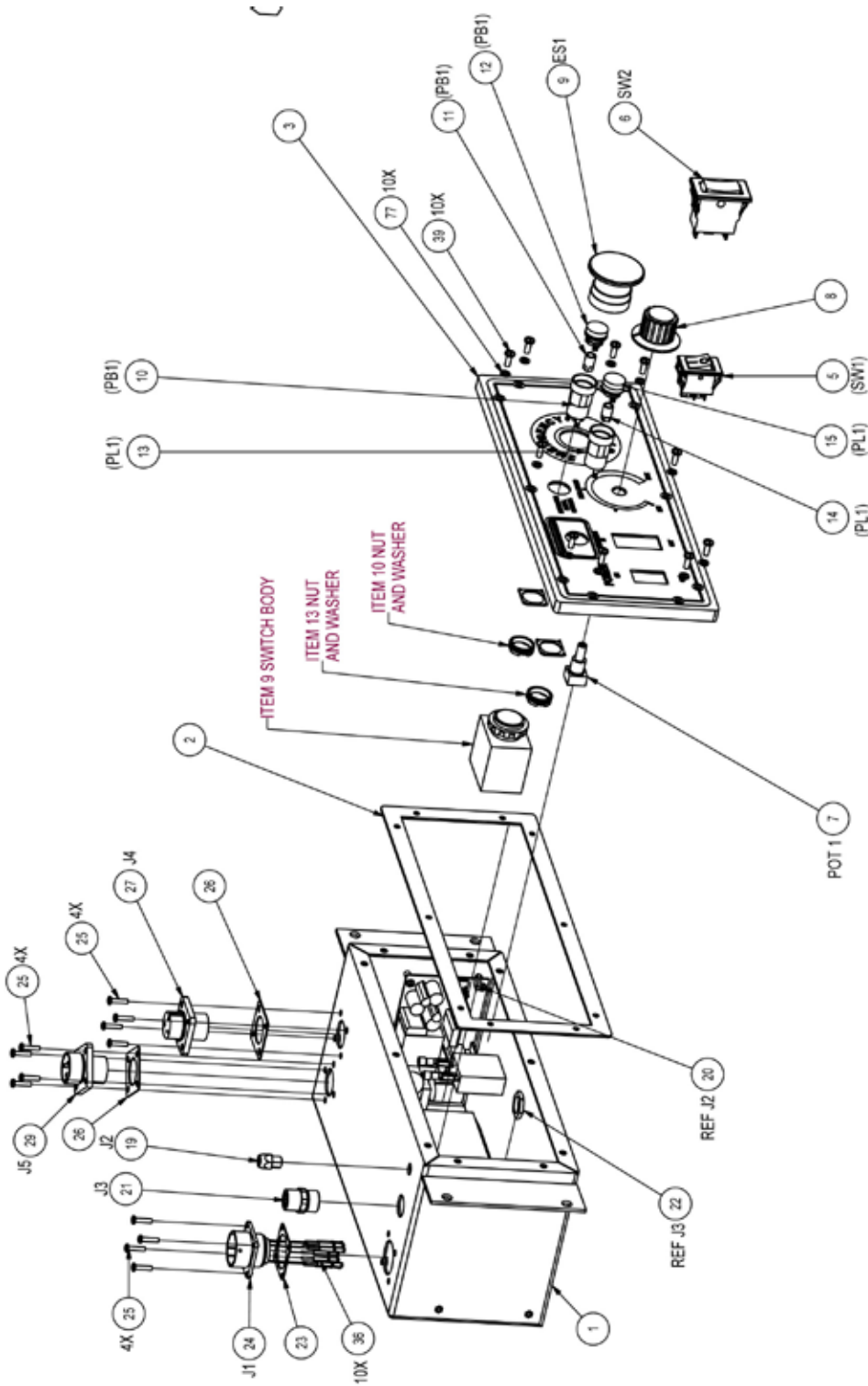


Figure 12a: Controller Assembly, Reel, Truck Mount, MD316

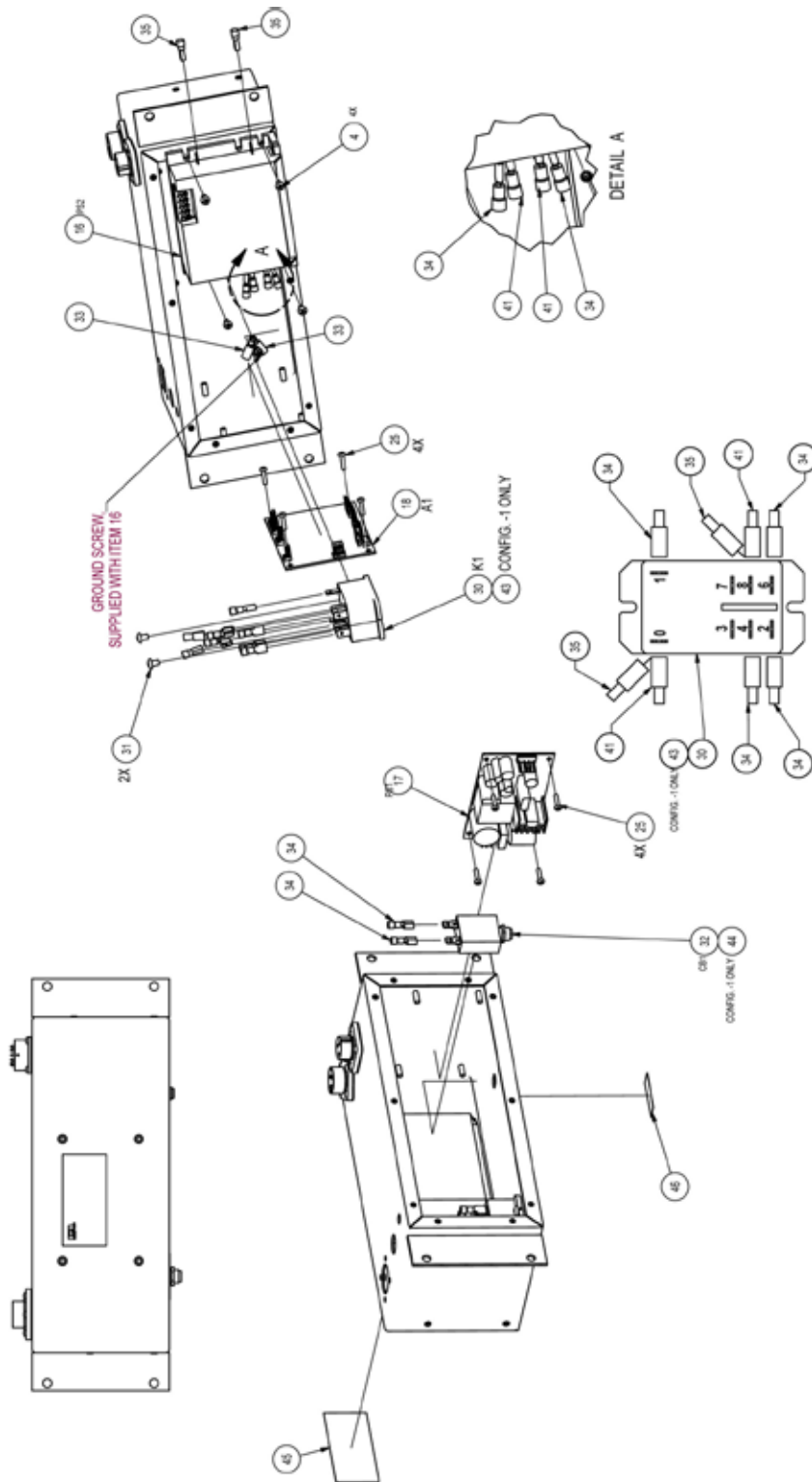


Figure 12b: Controller Assembly, Reel, Truck Mount, MD316

CONTROLLER ASSY, REEL, TRUCK MOUNT, K2, (See Figure 12), Rev. G, MD316			
ITEM #	Description	Part Number	Quantity
1	ENCLOSURE,TRK MNT,K2,OBS>MD117-1	MD117	1
2	GASKET,ENCLOSURE,CNTRL,TRK MNT,K2	MD116	1
3	COVER ASSY,CNTRLR,K2,OBS>MD600-1	MD600	1
4	SCREW,PAN,6-32X5/16 PHIL SST	101088	4
5	SWITCH,DPST,ROCKER,10A,125/250VAC	EC1407	1
6	SWITCH,SPDT,ON-NONE-ON,15A,NKK	EC1435	1
7	POT,10K,PNL MT	EC1215	1
8	KNOB,1/4"SHAFT,.75HX.97D,SKIRTED	HW1892	1
9	PUSHBOTTON,E-STOP,40MM,PUSHLOCK	EC1380	1
10	BASE,SWTCH,PSHBTN,DPDT,MOM,IDEC	EC1408	1
11	LED,PILOT LIGHT,12V,GREEN,IDEC	EC1409	1
12	LENS,SWITCH,ROUND,GREEN,IDEC	EC1410	1
13	BASE,PILOT LIGHT,IDEC,16MM	EC1411	1
14	LED,PILOT LIGHT,12V,AMBER,IDEC	EC1412	1
15	LENS,PILOT LIGHT,ROUND,AMBER,IDEC	EC1413	1
16	MOTOR DRIVER,W/SETUP,110V	EC1326	1
17	POWER SUPPLY,DUAL,+/-12V,24W,ASTRD	EC1406	1
18	PCB ASSY,K2 REEL CONTROL,ENHANCED	MD410	1
19	CONNECTOR,LUMBERG,PICO,4P,PNL MNT	EC1243	1
20	LOCKNUT,LUMBERG,FOR PICO PNL MNT	EC1242	1
21	CONNECTOR,BULKHDFM,5PIN,LUMBERG	EC277	1
22	LOCKNUT,PG9 THREADS,LUMBERG	HW299	1
23	GASKET,CONNECTOR,SHELL SIZE 16	MD080	1
24	CONNECTOR,19P,RECEP,W/PINS,REV SEX	EC1261	1
25	SCREW,PAN,4-40X1/2 PHIL SST	HW246	20
26	GASKET,CONNECTOR,MINI FLNG RECEPT	MD213	2
27	RECEPACLE,MINI,3-PIN,F,STR,FLANGE	EC1566	1
29	RECEPTACLE,MINI,3-PIN,M,STR,FLANGE	EC1565	1
30	RELAY,DPDT,120VAC COIL,FLANGE MNT	EC1354	1
31	SCREW,PAN HD,PH,#8-32 X 1/4,SST	HW1450	2
32	CIRCUIT PROTECTOR,PUSHBUTTON,12A	EC1382	1
33	TERMINAL,RING,16-14 AWG,#6 STUD,BL	712739	1
34	CONNECTOR,SPADEFEMALE	EL209	8
35	QUICK DISCONNECT,14-16AWG,W/SLEEVE	PC118	4
36	CONTACT,PIN,CRIMP,16-18GA	EC1249	10
38	TUBE,SHRINK,BLACK 1/8"	712789	1
39	SCREW,PAN,6-32X3/8 SST	103023	10

CONTROLLER ASSY, REEL, TRUCK MOUNT, K2, (See Figure 12), Rev. G, MD316			
ITEM #	Description	Part Number	Quantity
41	FAST-ON,MULTI-STCK,.250,22-18GA,INS	HW1431	4
42	TIE,CABLE,3/32"X4",WHT/CLR,MRO	440307	1
45	LABEL,THERMAL XFR,3.00"W X 2.00"H	CS223	1
46	LABEL,THERMAL XFR,1.500"W X .500"H	CS221	1
47	TERMINAL,CRIMP,.156 PITCH	EC553	10
48	TERMINAL,CRIMP,BRASS,F/22-30 AWG	730113	33
49	CONNECTOR,HOUSING,3PIN,.156",CRIMP	EC736	1
50	WIRE,#22AWG,BLACK,PVC,STRD	EC407	1
51	WIRE,#22AWG,BROWN,PVC,STRD	EC408	1
52	WIRE,#22AWG,RED,PVC,STRD	EC412	1
53	WIRE,#22AWG,ORANGE,PVC,STRD	EL441	1
54	WIRE,#22AWG,YELLOW,PVC,STRD	EC414	1
55	WIRE,#22AWG,GREEN,PVC,STRD	EC410	1
56	WIRE,#22AWG,BLUE,PVC,STRD	EC411	1
57	WIRE,#22AWG,VIOLET,PVC,STRD	EC415	1
58	WIRE,#22AWG,GRAY,PVC,STRD	EC409	1
59	WIRE,#22AWG,WHITE,PVC,STRD	EC406	1
60	WIRE,#22,WHITE/BLACK,PVC	EC1088	1
61	WIRE,#22,WHITE/BROWN PVC	EC1087	1
62	WIRE,#22AWG,WHT/RED,PVC,STRD	EC416	1
63	WIRE,#22,WHITE/ORANGE,PVC	EC1089	1
64	WIRE,#22,WHITE/YELLOW,PVC	EC1090	1
65	WIRE,#22 WHITE/GREEN,PVC	EC1084	1
66	WIRE,#22,WHITE/BLUE,PVC	EC1086	1
67	WIRE,#22,WHITE/VIOLET,PVC	EC1085	1
68	WIRE,#18 BLACK	161636	1
69	WIRE,#18 WHITE	161638	1
70	HOUSING,5-PIN LOCKING	730166	1
71	CONNECTOR,4PIN,CRIMP HOUSING.156	EC559	2
72	HOUSING,8-PIN,0.100,LOCKING	EC816	1
73	HOUSING,6-PIN LOCKING	712778	1
74	HOUSING,4-PIN LOCKING	712783	1
75	HOUSING,3-PIN LOCKING	730165	1
76	HOUSING,10PIN LOCKING,MOLEX	EL974	1
77	WASHER,FLAT,#6 SST(RED OD .267)	100178	10

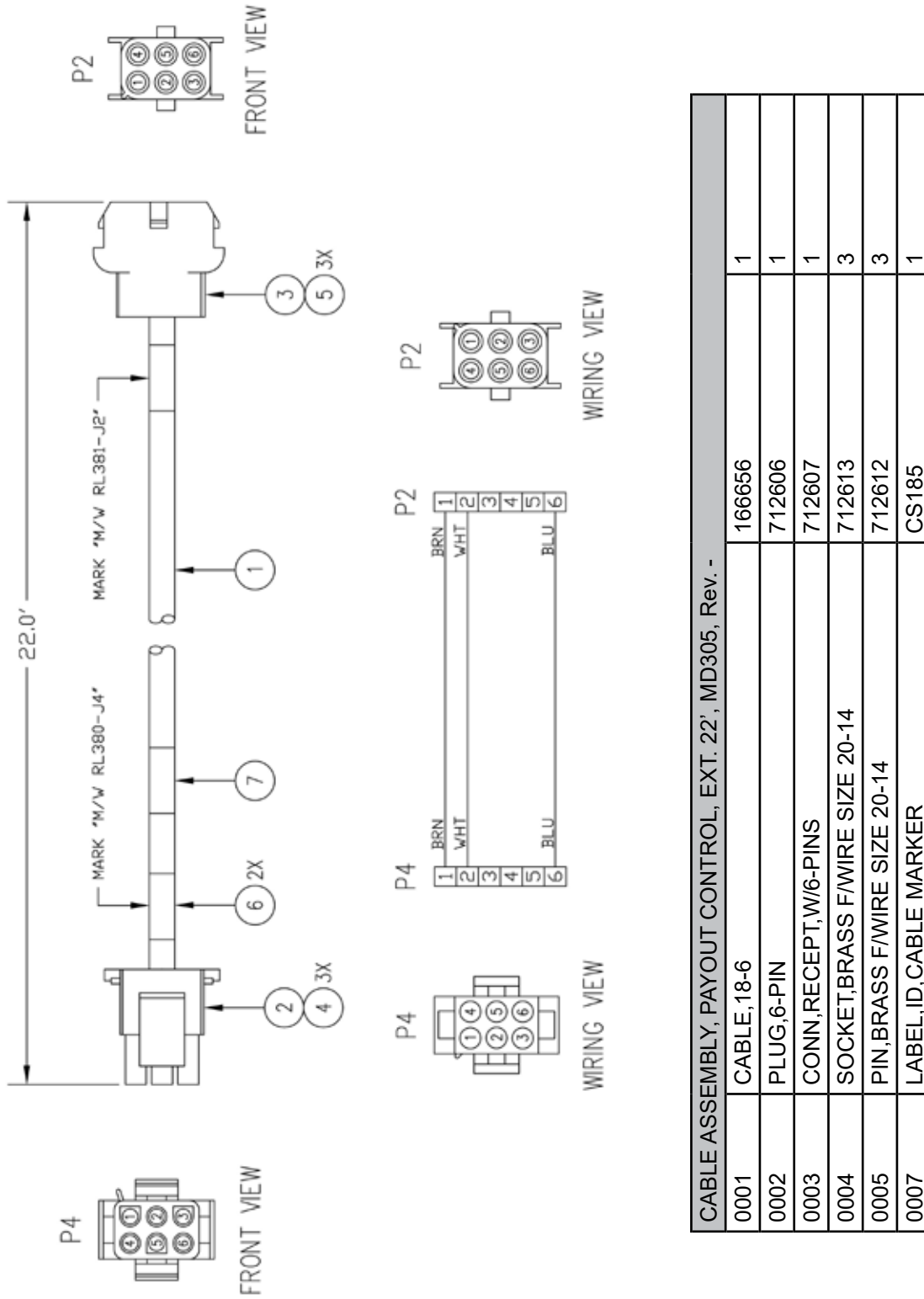
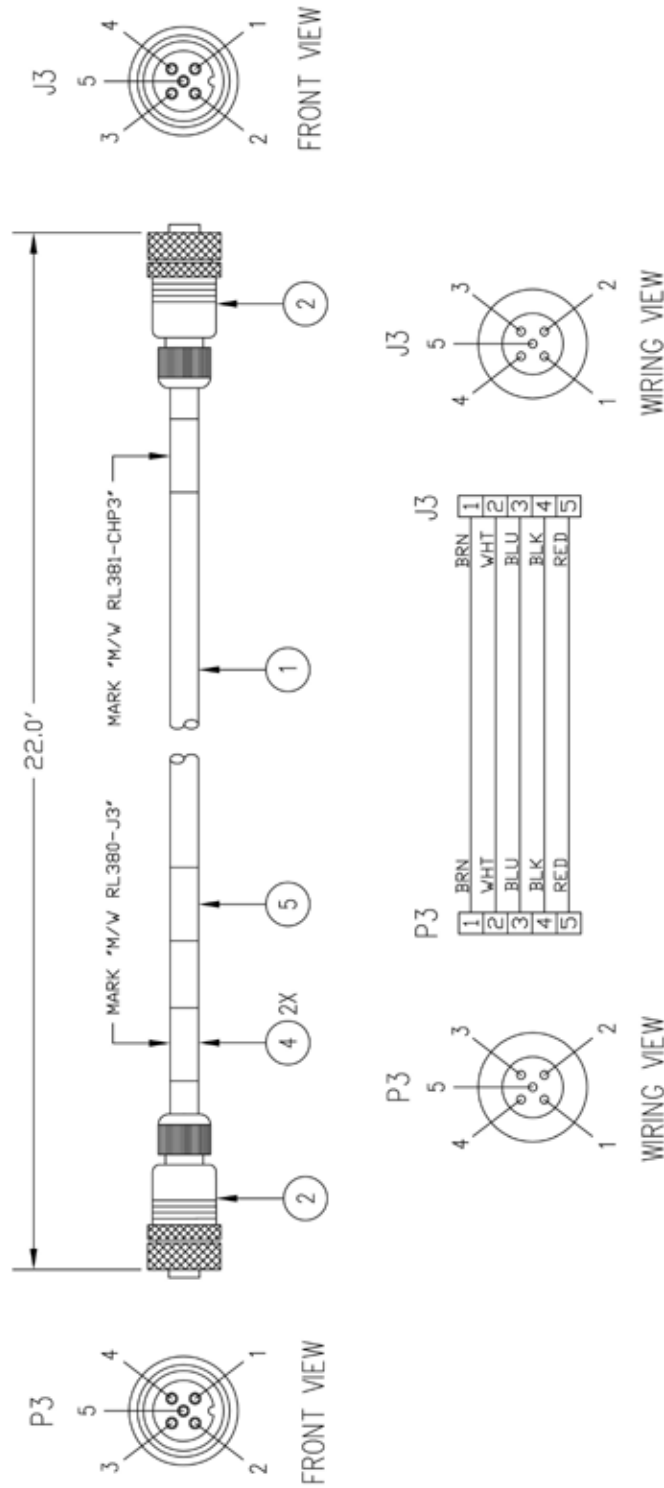


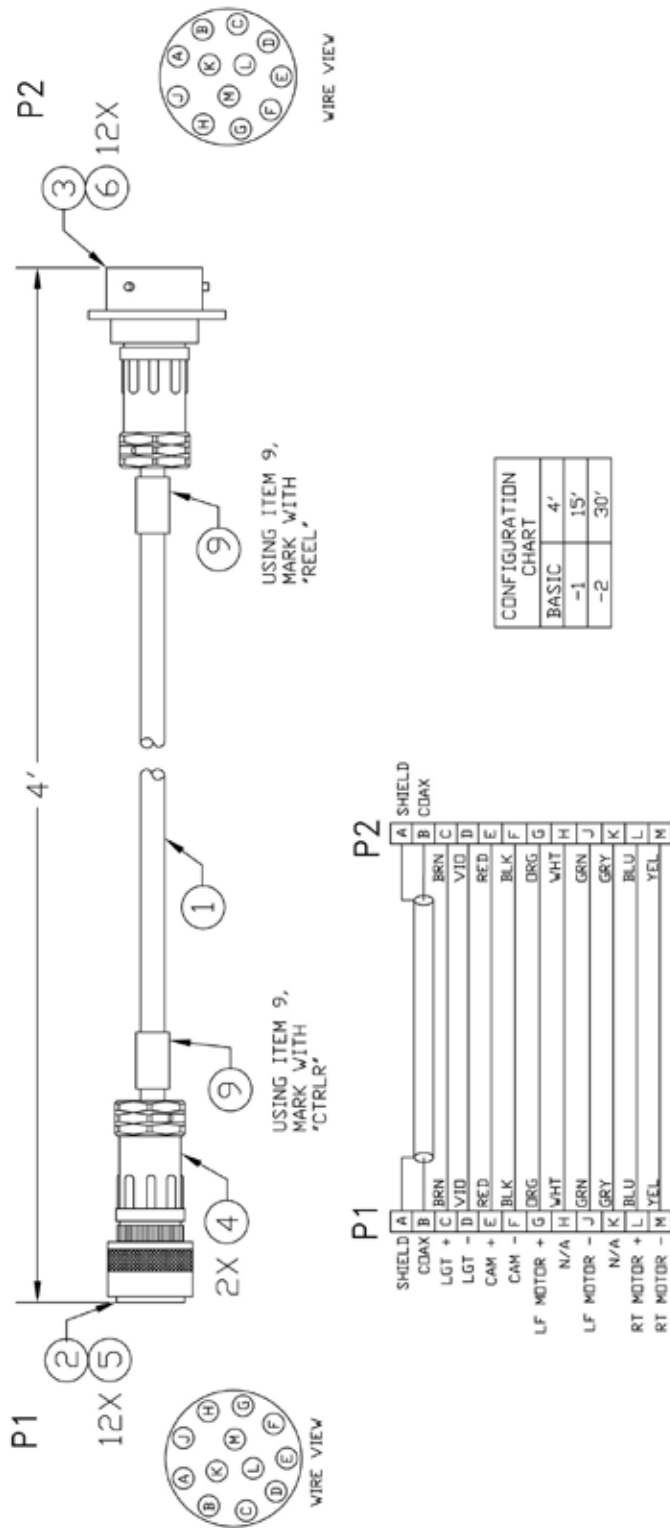
Figure 13: Cable Assembly, Payout Control, Ext. 22', MD305





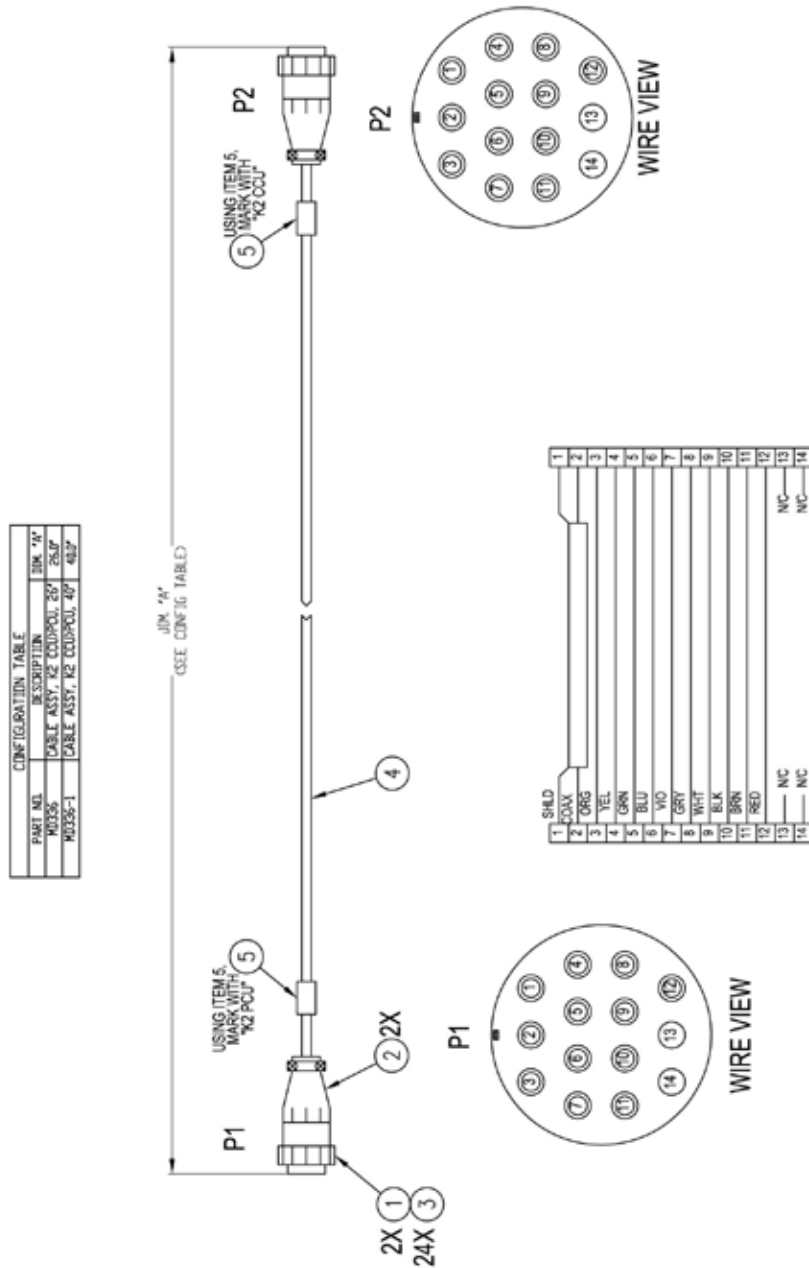
CABLE ASSEMBLY, CHP3, EXT. 22', MD306, REV. A		
0001	CABLE, 18-6	166656
0002	CONNECTOR, 5-PIN MICRO, FEM, STRGHT	EC1387
0005	LABEL, ID, CABLE MARKER	CS185

Figure 14: Cable Assembly, CHP3, Ext. 22', MD306



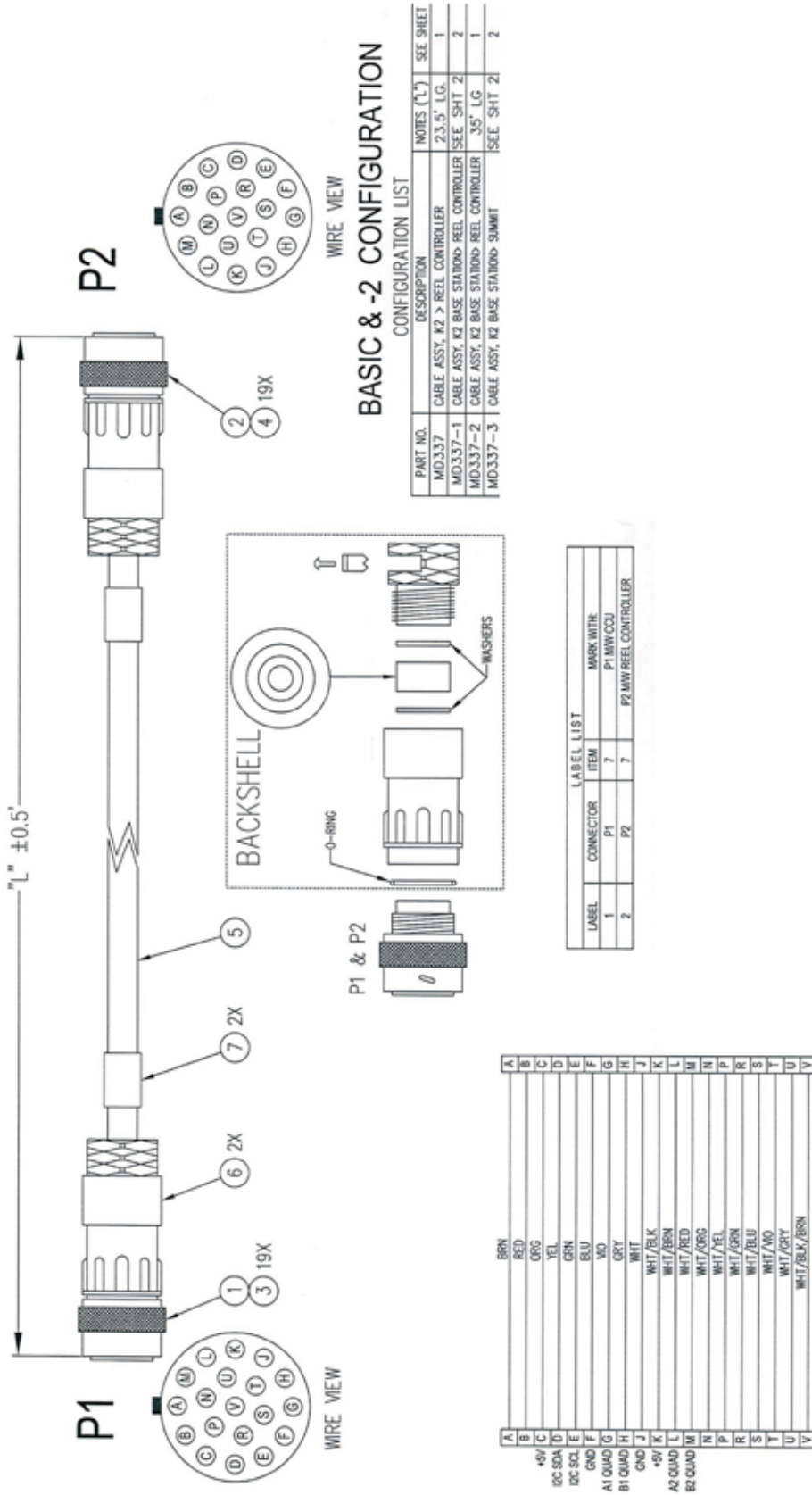
CABLE ASSEMBLY, K2, CBL, EXT, CTRL, BX / REEL, MD310, REV. A			
0001	CABLE, 11 CONDUCTOR, GRAY, PVC	CR006	4
0002	CONNECTOR, 12P, PLUG W/PINS, STD SEX	EC1368	1
0003	CONNECTOR, 12P, RECEPT, W/SCKTS, STD SX	EC1251	1
0004	BACKSHELL, CABLE CLAMP, SEALED, SZ 14	EC1373	2
0005	CONTACT, PIN, CRIMP, 16-20GA	EC1249	12
0006	CONTACT, SOCKET, CRIMP, 16-20GA	EC1250	12
0007	TUBE, SHRINK, 1/16"	712593	1
0008	TUBE, SHRINK, BLACK 1/8"	712789	1
0009	LABEL, ID, CABLE MARKER	CS185	2

Figure 15: Cable Assembly, K2, Cbl, Ext, Ctrl, BX / Reel, MD310



CABLE ASSEMBLY, K2 CCU > PCU, MD336, REV. C				
0001	CONNECTOR, 14-PIN, MALE	7122		2
0002	STRAIN RELIEF, SHELL SIZE 17	712543		2
0003	PIN, MULTIMATE III, 18-14 GA (ROLL)	713127		24
0004	CABLE, 11 CONDUCTOR, GRAY, PVC	CR006		2.14
0005	LABEL, ID, CABLE MARKER	CS185		2

Figure 16: Cable Assembly, K2 CCU > PCU, MD336



CABLE ASSEMBLY, K2 CCU > REEL CONTROLLER, MD337, Rev. A			
ITEM	DESCRIPTION	QTY	MARKING
0001	CONNECTOR, 19P, PLG W/PINS, STD SEX	1	EC1369
0002	CONNECTOR, 19PIN, PLUG W/SKTS, REV SEX	1	EC1370
0003	CONTACT, PIN, CRIMP, 20-22GA	19	EC1397
0004	CONTACT, SKT, CRIMP, 20-22GA	19	EC1358
0005	CABLE, 20COND, 22AWG, UNSHIELDED, 300V	25	EC290
0006	BACKSHELL, CABLE CLAMP, SEALED, SZ 16	2	EC1372
0007	LABEL, ID, CABLE MARKER	2	CS185

Figure 16a: Cable Assembly, K2 CCU > PCU, MD336

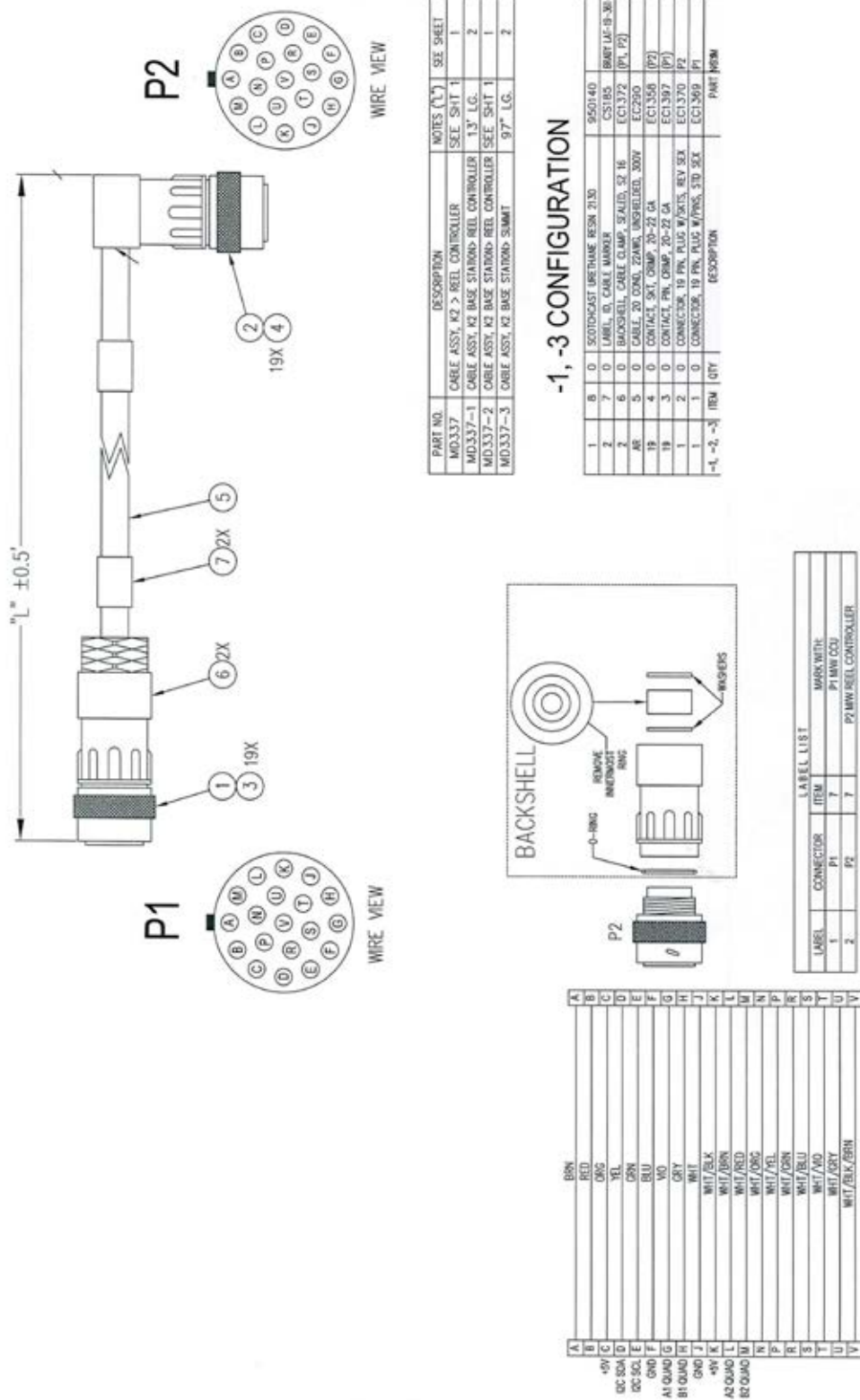


Figure 16b: Cable Assembly, K2 CCU > PCU, MD336

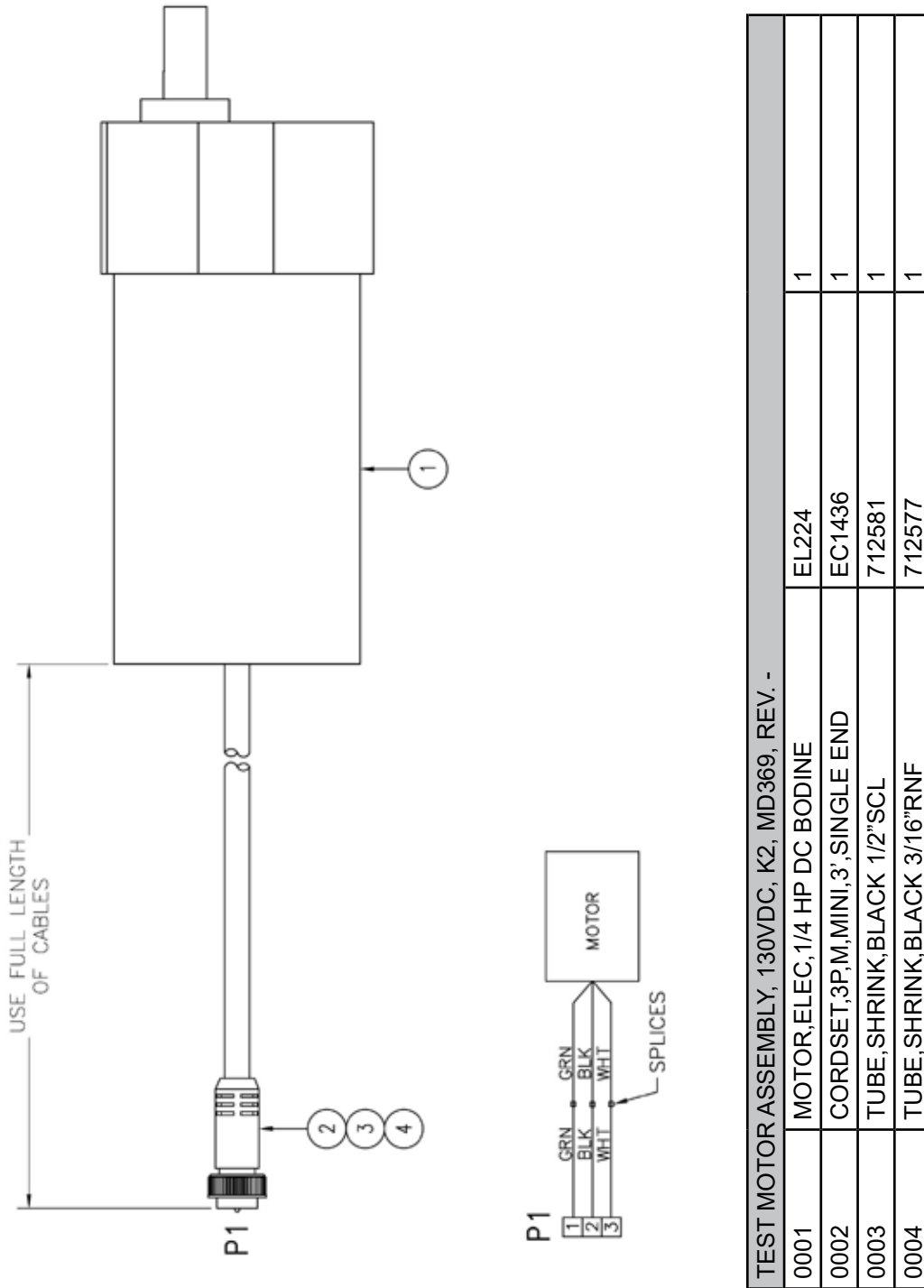
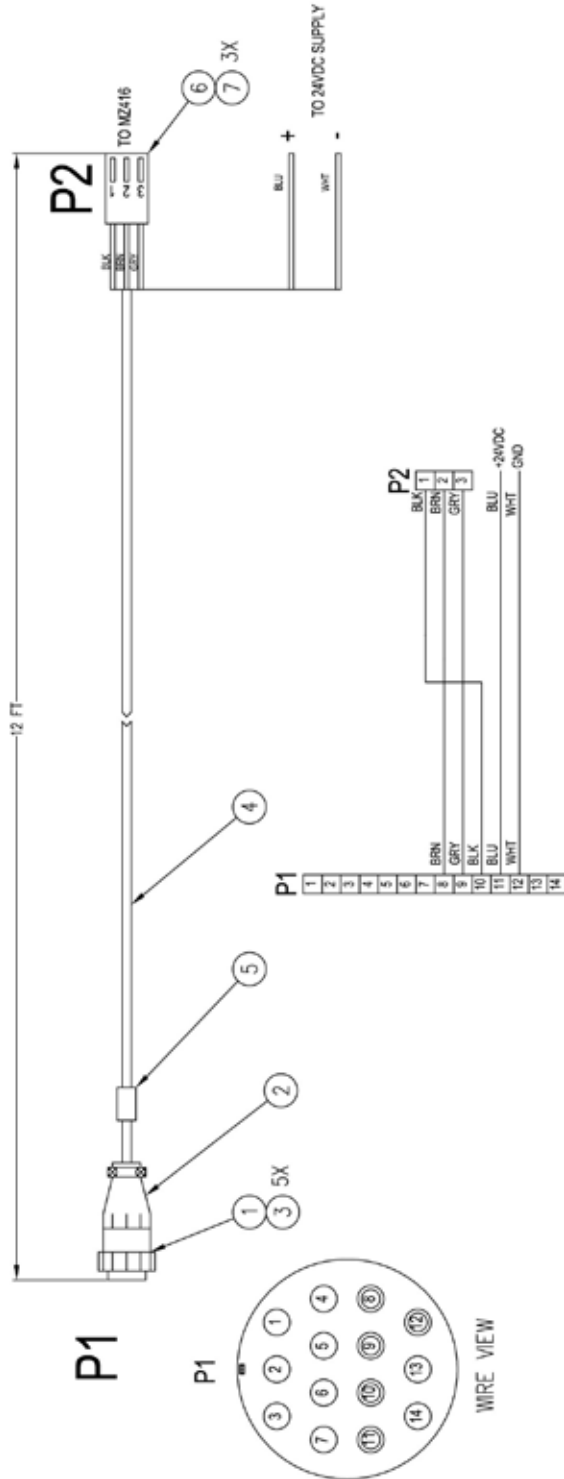


Figure 17: Test Motor Assembly, 130VDC, K2, MD369



CABLE ASSEMBLY, K2, TEST, 12C, PCU, MD338, REV. -			
0001	CONNECTOR, 14-PIN, MALE	7122	1
0002	STRAIN RELIEF, SHELL SIZE 17	712543	1
0003	PIN, MULTIMATE III, 24-20 GA	7132	5
0004	CABLE, 2 COND STRANDED, 22GA. SHEILDED	EC1010	1
0005	LABEL, ID, CABLE MARKER	CS185	1
0006	HOUSING, 3-PIN LOCKING	730165	1
0007	TERMINAL, CRIMP 22-30 GAUGE WIRE	730113	3

Figure 18: Cable Assembly, K2, Test, 12C, PCU, MD338

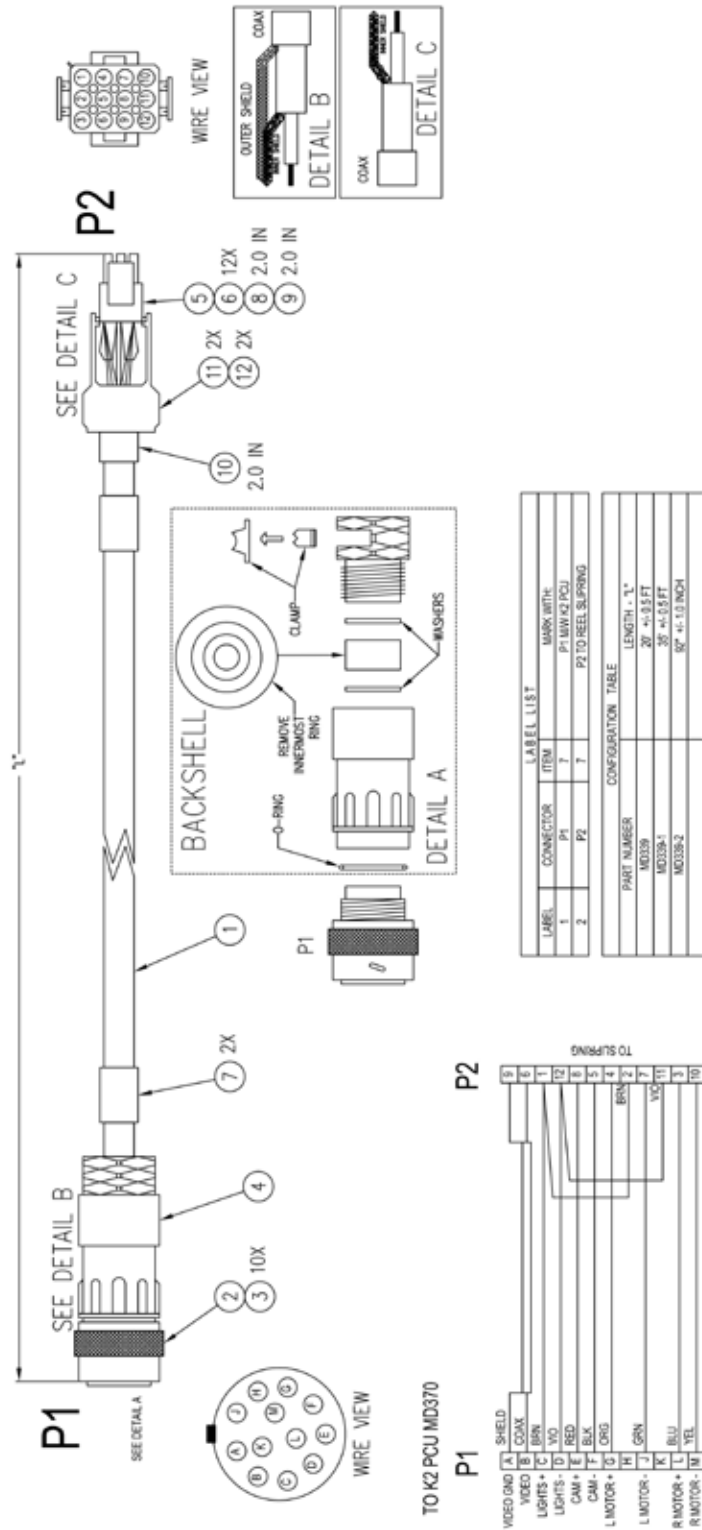
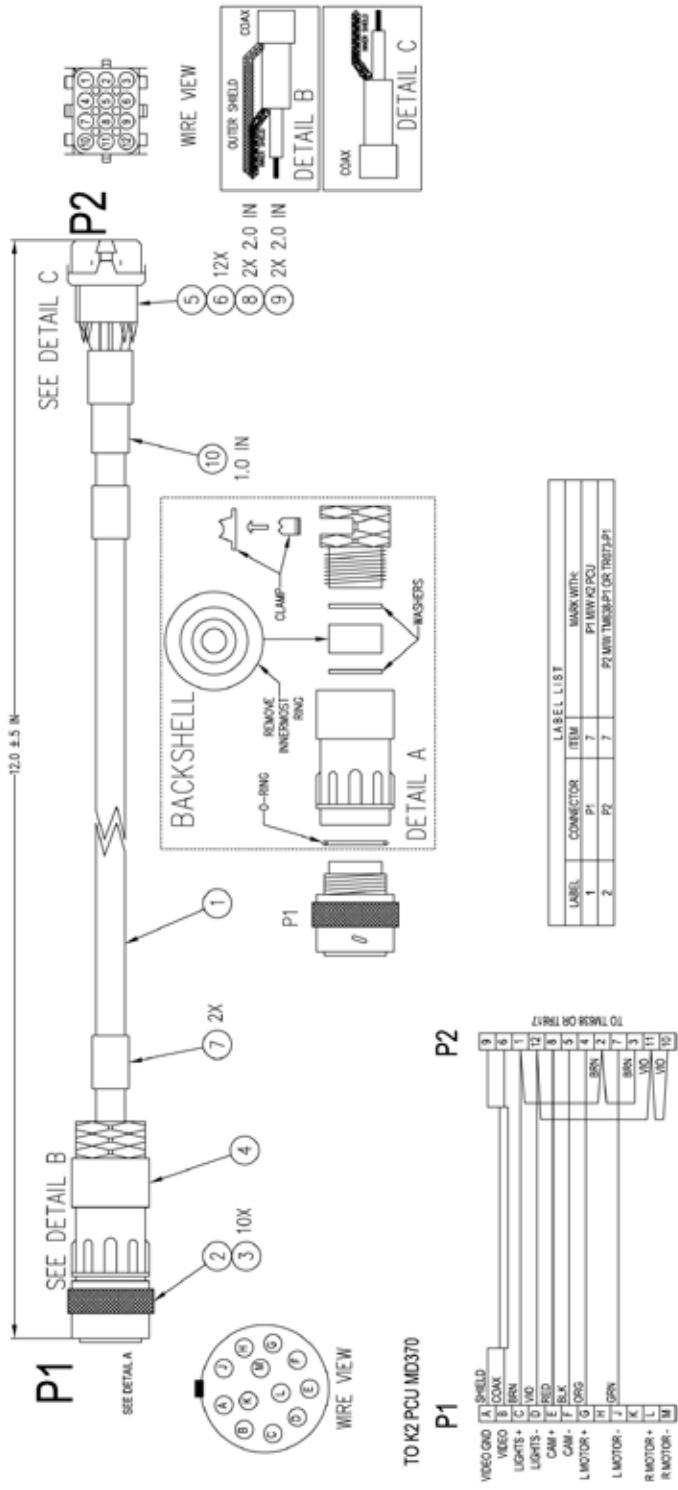


Figure 19: Cable Assembly, K2, PCU > Slipping, MD339

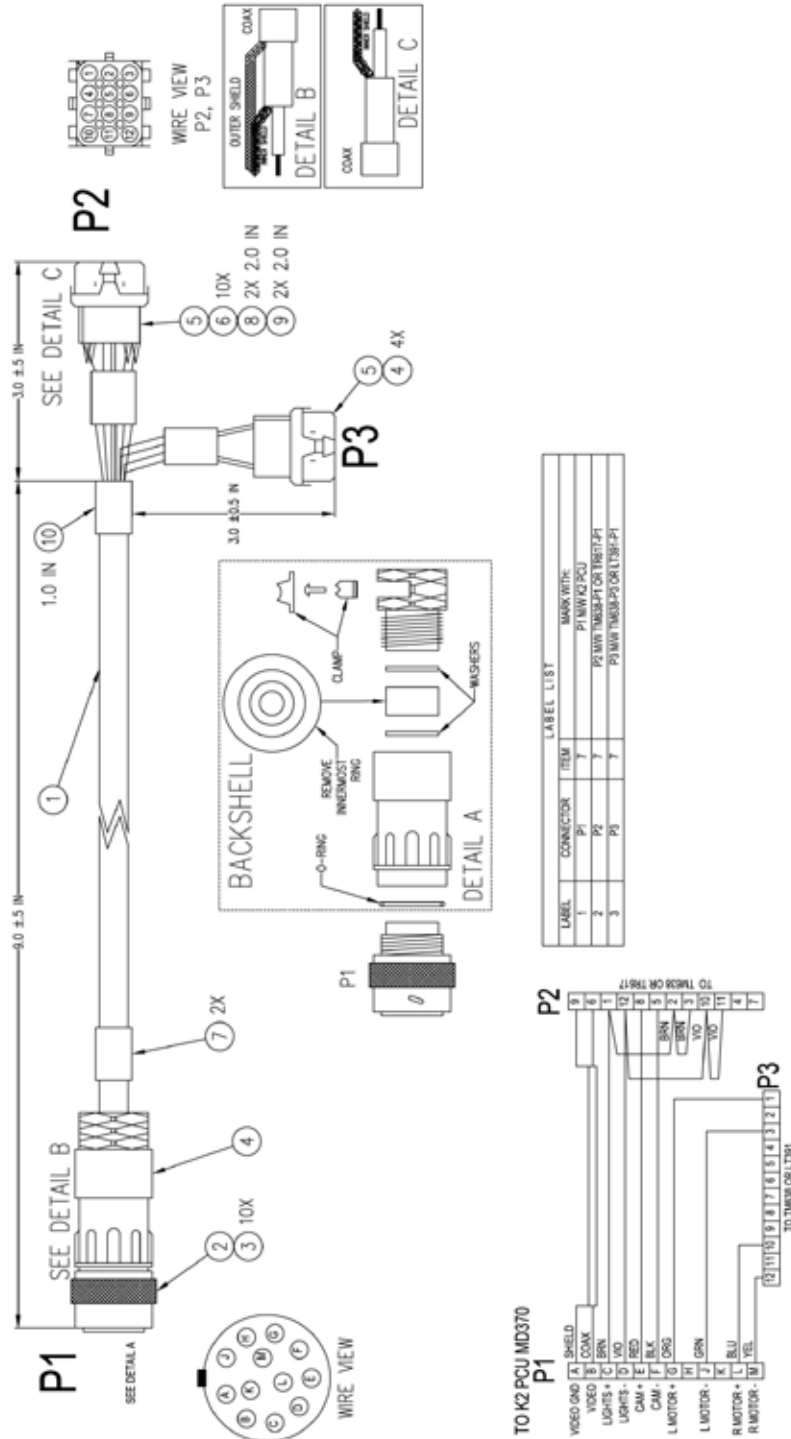


<b>Cable Assembly, K2, PCU &gt; Slipping, (See Figure 19), Rev. A, MD339</b>			
<b>ITEM #</b>	<b>Description</b>	<b>Part Number</b>	<b>Quantity</b>
1	CABLE, 10COND, 1COAX, GRAY.PVC	CR006	20
2	CONNECTOR, 12P, PLUG W/PINS, STD SEX	EC1368	1
3	CONTACT, PIN, CRIMP, 16-18GA	EC1249	10
4	BACKSHELL, CABLE CLAMP, SEALED, SZ 14	EC1373	1
5	PLUG, 12-PIN	712610	1
6	SOCKET, BRASS F/WIRE SIZE 20-14	712613	12
7	LABEL, ID, CABLE MARKER	CS185	2
8	WIRE, #18AWG BROWN, PVC	EL366	1
9	WIRE, #18 VIOLET	161655	1
10	TUBE, SHRINK, BLACK 1/2" SCL	712581	1
11	STRAIN RELIEF, CONN., .500	712627	2
12	SCREW, F/MK-15 MOUNTING KIT 6X5/8HEX	712386	2



CABLE ASSEMBLY, K2, PCU > RETRO, TV, MD341, REV. -			
0001	CABLE, 11 CONDUCTOR, GRAY, PVC	CR006	1
0002	CONNECTOR, 12P, PLUG W/PINS, STD SEX	EC1368	1
0003	CONTACT, PIN, CRIMP, 16-20GA	EC1249	10
0004	BACKSHELL, CABLE CLAMP, SEALED, SZ 14	EC1373	1
0005	CONNECTOR, RECEPT, 12-PIN AMP	712611	2
0006	PIN, BRASS F/WIRE SIZE 20-14	712612	12
0007	LABEL, ID, CABLE MARKER	CS185	2
0008	WIRE, #18AWG BROWN, PVC	EL366	1
0009	WIRE, #18 VIOLET	161655	1
0010	TUBE, SHRINK, BLACK 1/2" SCL	712581	1

Figure 20: Cable Assembly, K2, PCU > Retro, TV, MD341

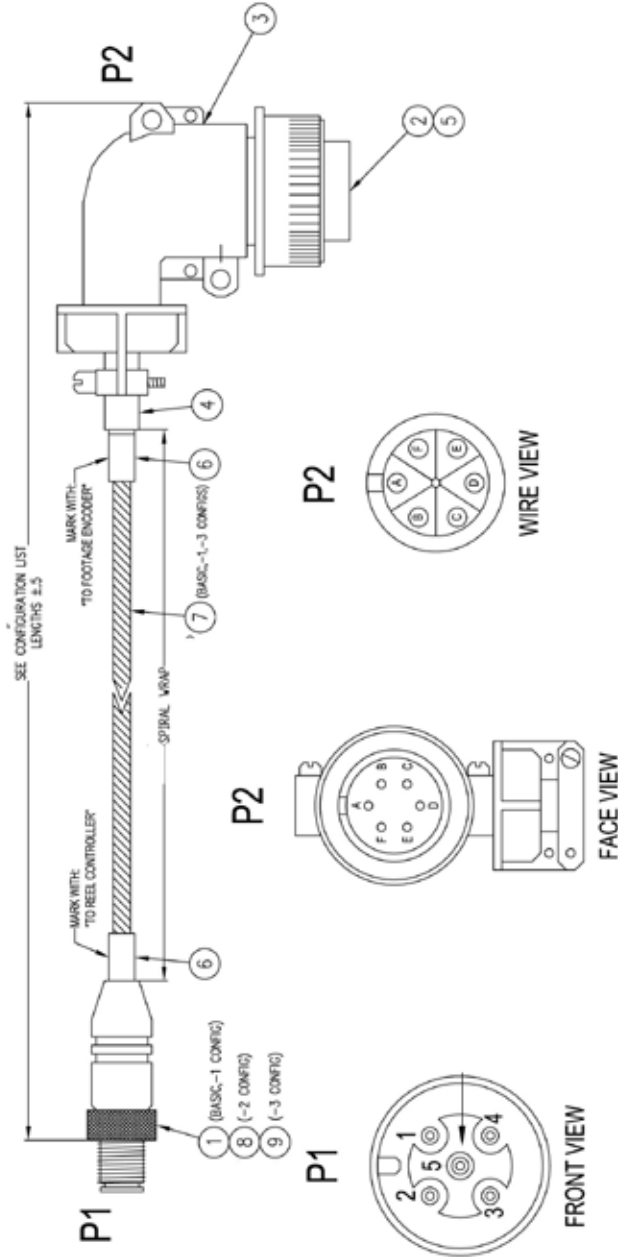


CABLE ASSEMBLY, K2, PCU > RETRO, STEERABLE, MD342, REV. -			
0001	CABLE, 11 CONDUCTOR, GRAY, PVC	CR006	1
0002	CONNECTOR, 12P, PLUG W/PINS, STD SEX	EC1368	1
0003	CONTACT, PIN, CRIMP, 16-20GA	EC1249	10
0004	BACKSHELL, CABLE CLAMP, SEALED, SZ 14	EC1373	1
0005	CONNECTOR, RECEPTOR, 12-PIN AMP	712611	2
0006	PIN, BRASS F/WIRE SIZE 20-14	712612	14
0007	LABEL, ID, CABLE MARKER	CS185	3
0008	WIRE, #18AWG BROWN, PVC	EL366	1
0009	WIRE, #18 VIOLET	161655	1
0010	TUBE, SHRINK, BLACK 1/2" SCL	712581	1

Figure 21: Cable Assembly, K2, PCU > Retro, Steerable, MD342

CONFIGURATION LIST

PART NO.	DESCRIPTION	NOTES
MD343	CABLE ASSY, K2 TRUCK REEL > FOOTAGE	42" L.G.
MD343-1	CABLE ASSY, K2 BASE STATION > FOOTAGE	70" L.G.
MD343-2	CABLE ASSY, K2 TRUCK REEL/DUAL > FOOTAGE	120" L.G.
MD343-3	CABLE ASSY, K2 TRUCK REEL > FOOTAGE	192" L.G.



CABLE ASSEMBLY, K2 TRUCK REEL > FOOTAGE, MD343, REV. C			
0001	PIGTAIL, MICRO, 5P, STR, 2M	EC1181	1
0002	PLUG, 90 DEGREE ELBOW 6-PIN	712140	1
0003	CLAMP, F/14S SHELL (BAGGED)	712497	1
0004	TUBE, SHRINK, BLACK 1/2" SCL	712581	1
0005	TUBE, SHRINK, BLACK 3/32"	712595	1
0006	LABEL, ID, CABLE MARKER	CS185	2
0007	TUBING, SPIRAL WRAP BLK POLY 1/4"	220681	1

Figure 22: Cable Assembly, K2 Truck Reel > Footage, MD343

This page intentionally left blank.

<b>MPlus+ System - PR0001, NO DRAWING AVAILABLE</b>			
ITEM #	Description	Part Number	Quantity
1	CONTROL UNIT MP+,DVR-USB	CH377	1
2	COILER ASSEMBLY,LAT PUSH SYSTEM	CH300	1
3	KIT,ACCESSORY,MPLUS+	CH900	1
5	CAMERA ASSY,SELF UP,NTSC,SND,60°HI	SR320-11	1
6	DEBRIS BAG,COILER BASKET,LAT MPLUS	CH062	1
8	CABLE ASSY,4 COND,BLK,PUSH,200',MP+	CH347-20PE	1

<b>CONFIGURATION LIST</b>	
PART NUMBER	DESCRIPTION
CH300	COILER ASSEMBLY LATERAL PUSH SYSTEM
CH300-1	COILER ASSY, LAT PUSH SYSTEM, W / TRANSFORMER



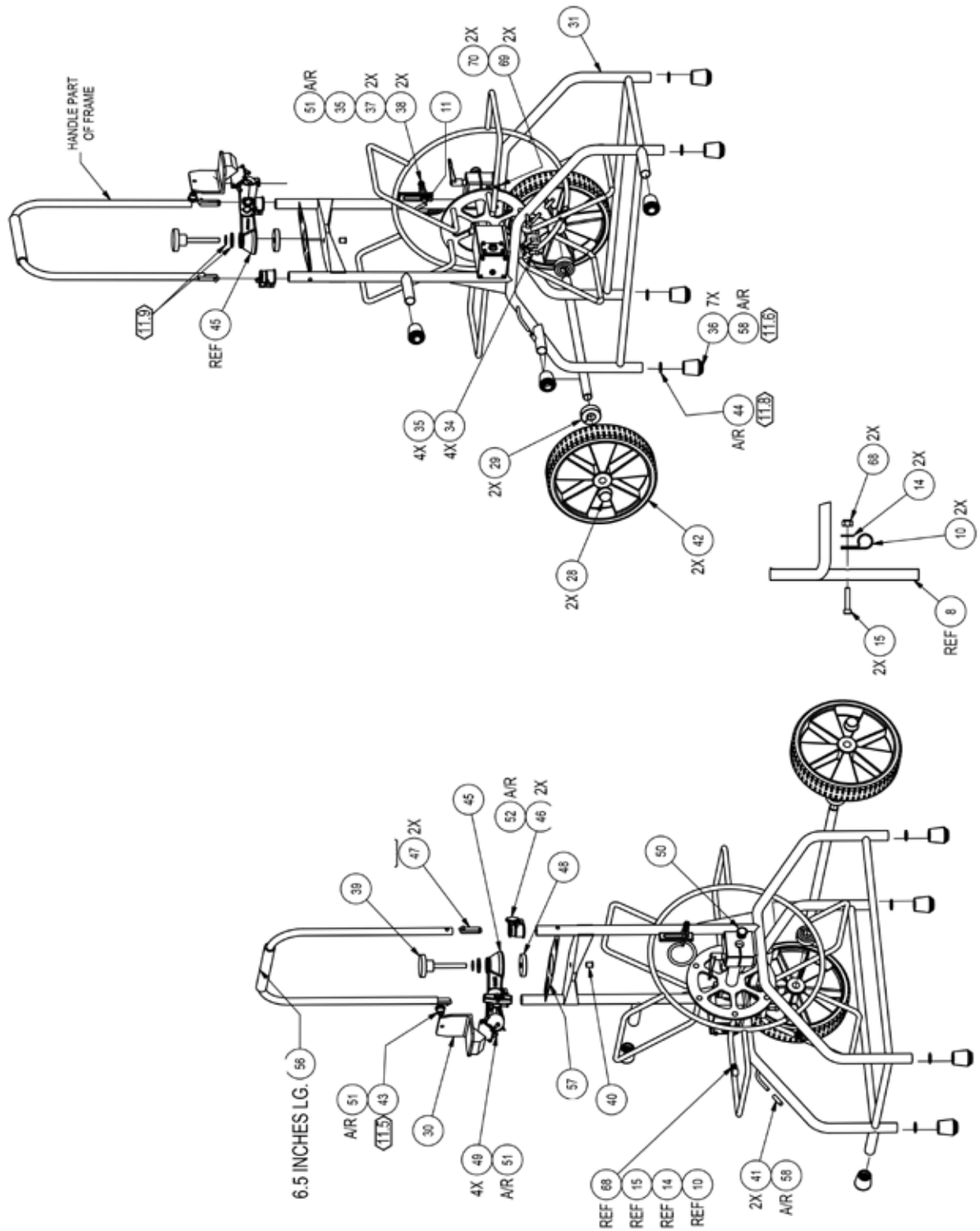


Figure 23. COILER ASSEMBLY, LATERAL PUSH SYSTEM, CH300

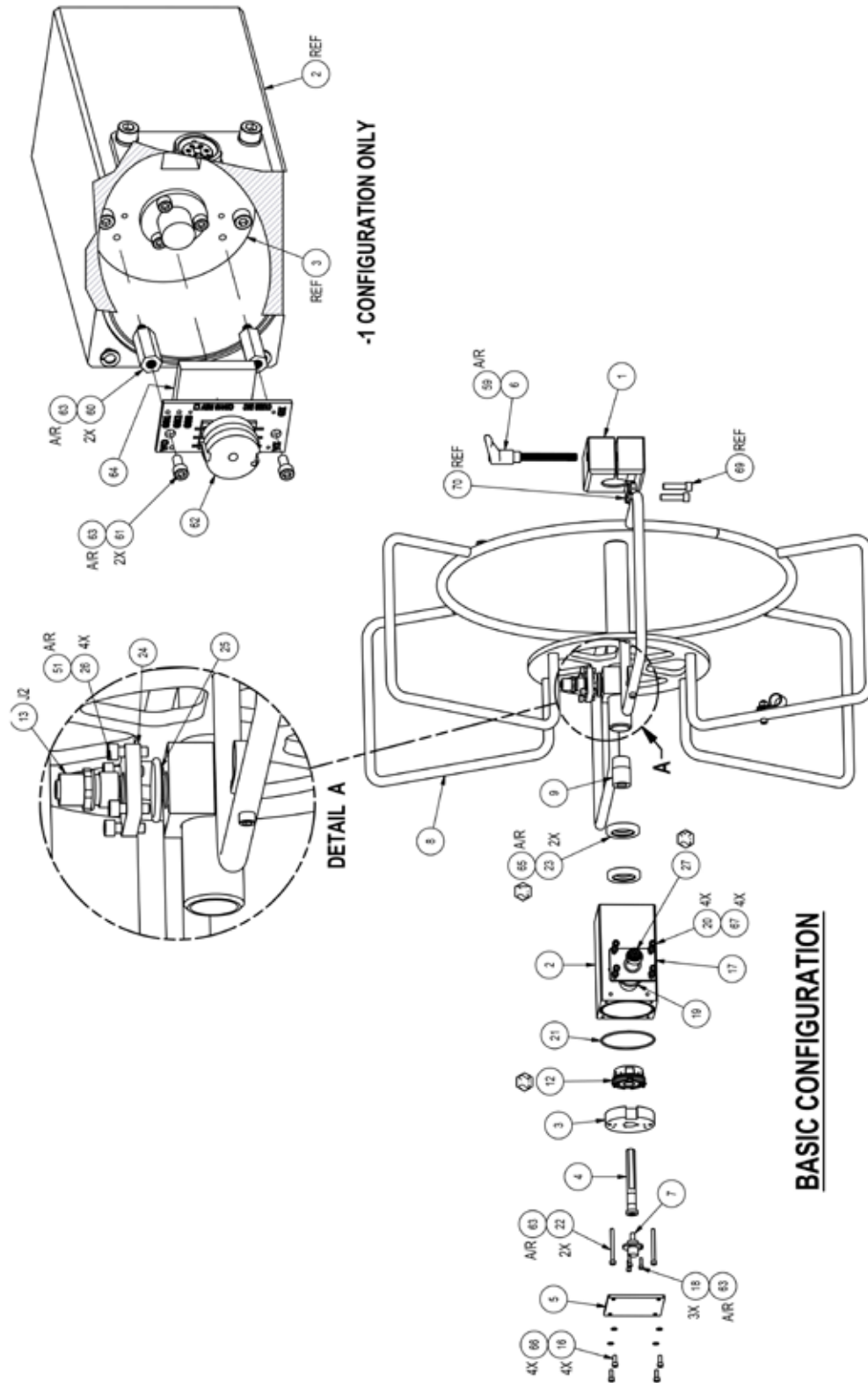


Figure 23a. COILER ASSEMBLY, LATERAL PUSH SYSTEM, CH300



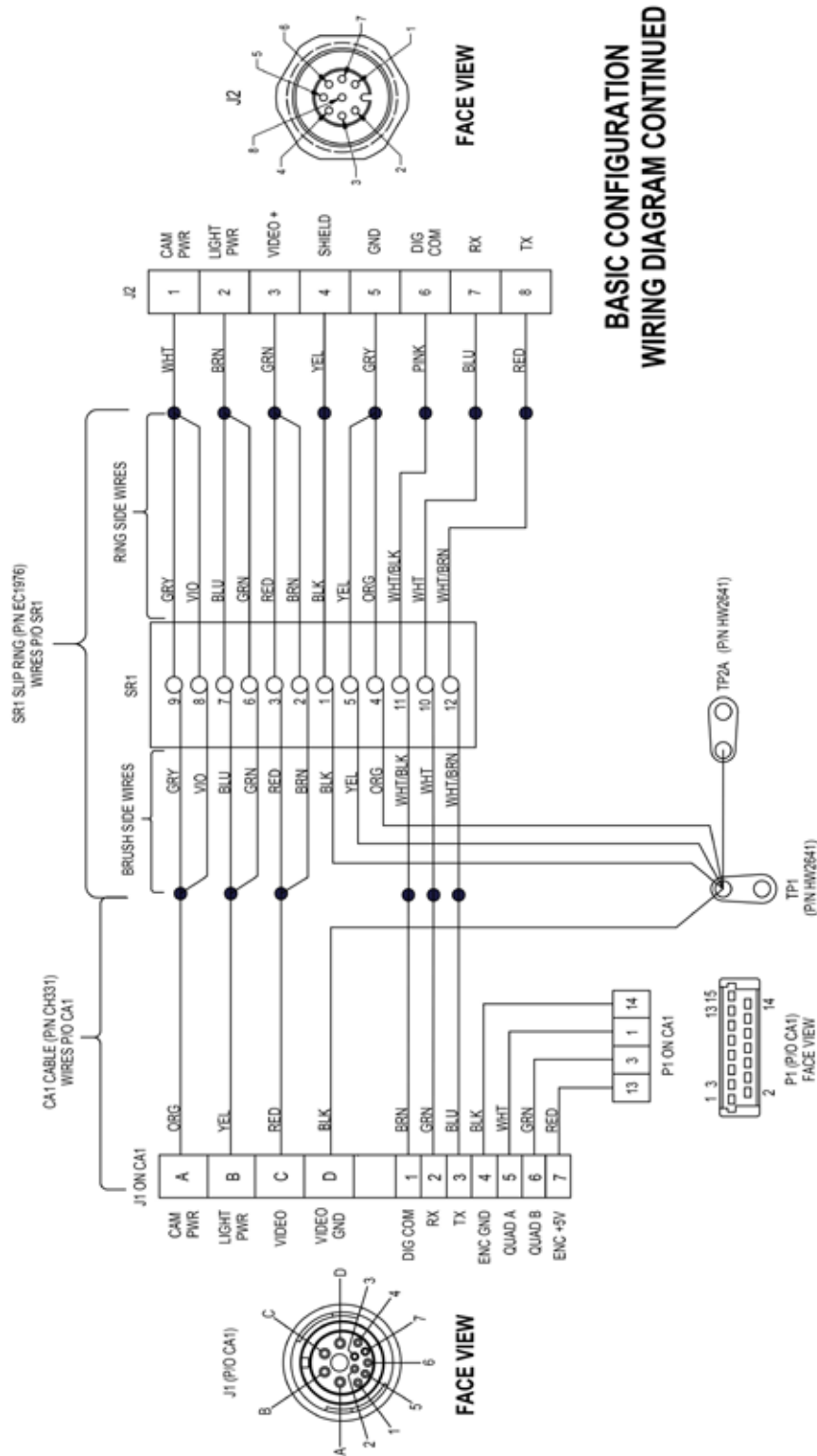
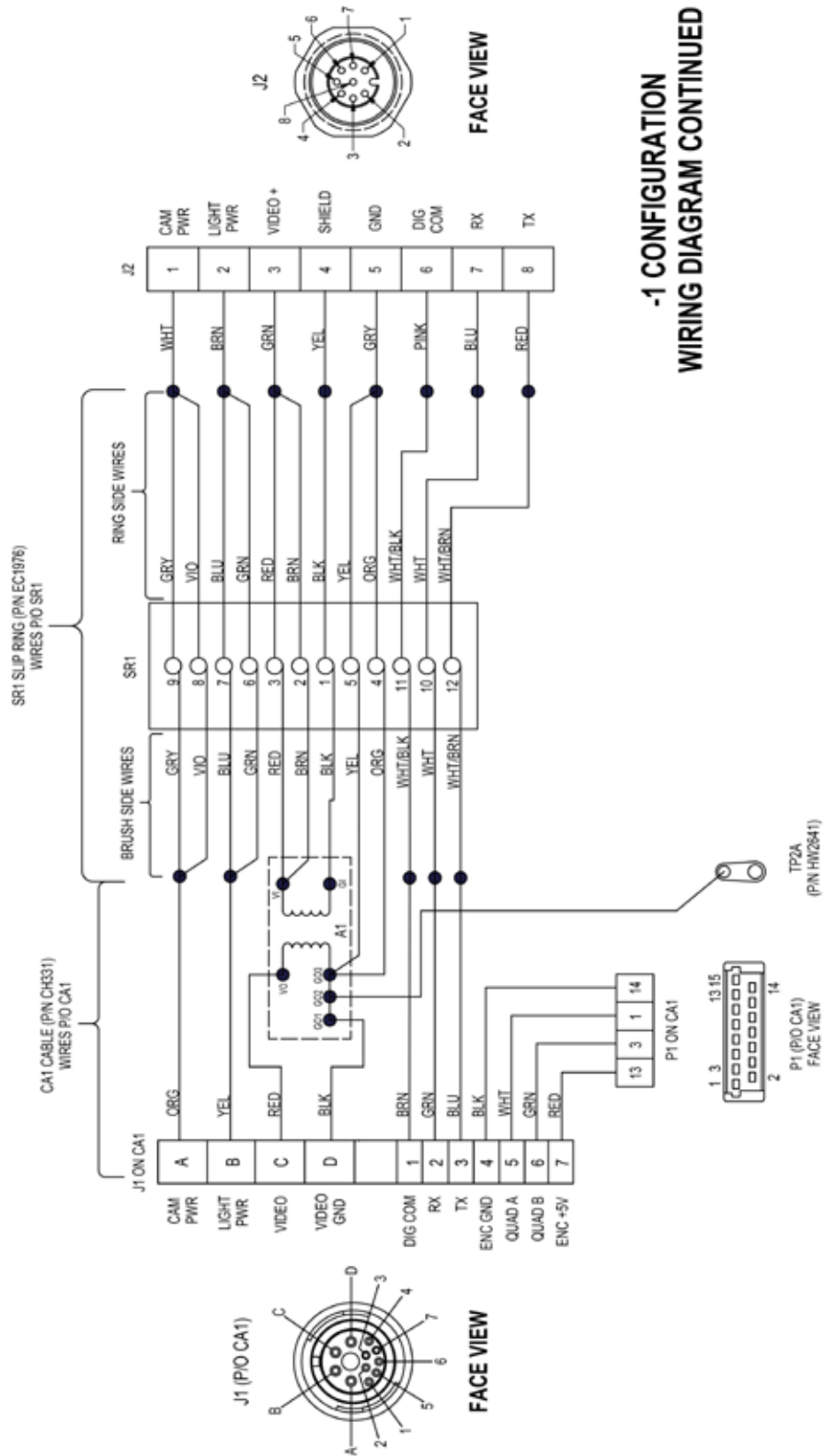


Figure 23b. COILER ASSEMBLY, LATERAL PUSH SYSTEM, CH300



**-1 CONFIGURATION  
WIRING DIAGRAM CONTINUED**

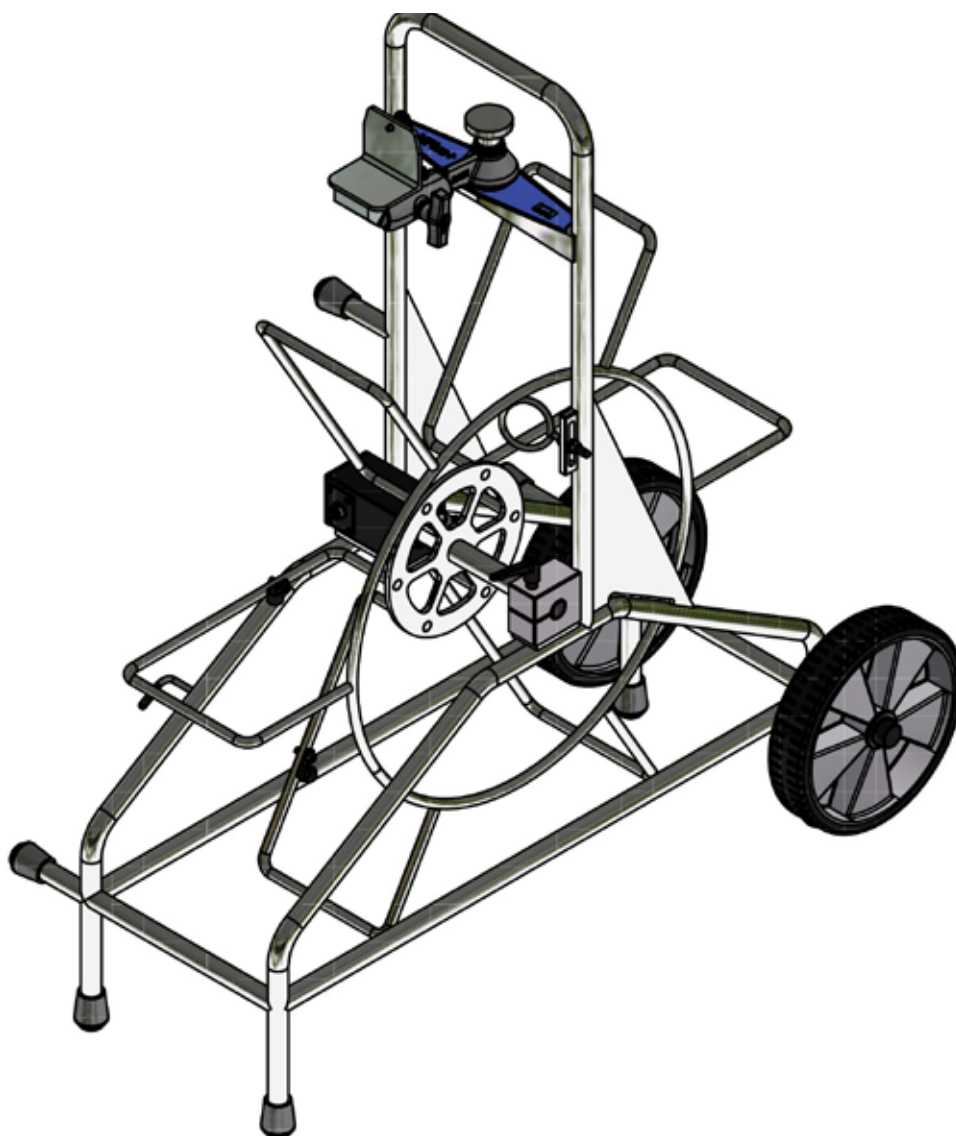
Figure 23c. COILER ASSEMBLY, LATERAL PUSH SYSTEM, CH300

<b>COILER ASSEMBLY, LATERAL PUSH SYSTEM, (See Figure 23), Rev. L, CH300</b>			
<b>ITEM #</b>	<b>Description</b>	<b>Part Number</b>	<b>Quantity</b>
1	BEARING,BRAKE,BASKET ASSY	CH174	1
2	BEARING,SR&ENCODER,MPLUS+	CH002	1
3	FLANGE,BEARING SR&ENCODER MPLUS+	CH003	1
4	JACK SHFT,BEARING SR&ENCODER MPLUS+	CH004	1
5	COVER,BEARING SR&ENCODER,MPLUS+	CH005	1
6	HANDLE,ADJUSTBLE,BLK,NYL 5/16-18,SS	HW2907	1
7	SLIPRING,MOOG SRA-73540,2A,120V	EC1976	1
8	ASSY,BASKET WELDMENT,LAT MPLUS	CH011	1
9	SHAFT BUSHING,BASKET ASSY, MPLUS+	CH014	1
10	CLAMP,TUBING INSULATED,1/2"	121104	2
11	GUIDE,CABLE,RING, F/CH300 COILER	CH006	1
12	ENCODER,OPTICAL KIT,OEM	EC2054	1
13	CONNECTOR,BULKHD,FM,8PIN,LUMBERG	EC274	1
14	WASHER,FLAT,#8 SST	100139	2
15	SCREW,CAP,SKT HD,8-32X7/8,SST	103067	2
16	SCREW,CAP,SKT HD,6-32X3/8,SST	105071-CUES	4
17	PLATE,MNTG,CONN EC2080	CH037	1
18	SCREW,CAP,SKT HD,4-40X3/8,SST	100054	3
19	O-RING,2-023,BUNA-N	HW731	1
20	SCREW,SHCS,8-32X3/8 SST	100448	4
21	O-RING,2-035,BUNA	7124	1
22	SCREW,CAP,SKT HD,6-32X1 1/2 SST	100114	2
23	SEAL,OIL,1.00ID X 1.43 OD,VITON,SST	HW4039	2
24	PLATE,CONNECTOR MOUNT,MPLUS+	CH063	1
25	O-RING,2-118 EP	132208	1
26	SCREW,CAP,SKT HD,8-32X1/2,SST	101025	4
27	CABLE ASSY,BASKET>SLPRING/ENCDR,MP+	CH331	1
28	BLACK PUSHNUT FASTENER,3/4" SHAFT	HW2646	2
29	SHAFT COLLAR,ACETAL,.75 BORE X.50W	HW2882	2
30	MOUNTING BRACKET,COILER ASSY,MPLUS+	CH019	1
31	FRAME ASSY,LATERAL PUSH SYS, MPLUS	CH302	1
32	TERMINAL,SOLDER LUG,LOCKWASHER #6	HW2641	2
33	TUBE,SHRINK,BLACK 1/8"	712789	1
34	SCREW,CAP,SKT HD,1/4-20X5/8,SST	101024	4
35	WASHER,SPLIT LOCK,1/4"SST	101740	5
36	WALKER TIP, .875 DIA, RUBBER, BLK	HW2971	7
37	WASHER,FLAT,1/4 SAE F/W 18-8	101736	2

<b>COILER ASSEMBLY, LATERAL PUSH SYSTEM, (See Figure 23), Rev. L, CH300</b>			
ITEM #	Description	Part Number	Quantity
38	NUT,HEX,SST,1/4-20	101040	2
39	KNURLED KNOB,.375-16X3.0LG,303SST	HW2883	1
40	CAP,RIGID,PLASTIC,.375 THREAD	HW2506	1
41	CAP,ROUND,PUSH-ON,.25 OD,EDPM	HW2503	2
42	WHEEL,COILER ASSY,LATERAL PUSH SYS	CH010	2
43	PLUNGER,NYLON KNOB,.2 DIA X .2 LG	HW2434	1
44	WASHER,FLAT,5/16 USS PLD	101132	7
45	SWIVEL MOUNT,1.5 BALL,RAM,SPECIAL	HW2501	1
46	LOCK,SPLIT COLLAR,7/8 TO 5/8-BSTYLE	CH097	2
47	SNAP BUTTON,SINGLE END, 0.25OD	HW4022	2
48	WASHER,2"ODX0.37 IDX.37 THK,BLK	HW2914	1
49	SCREW,CAP,SKT HD,10-32X3/8,SST	103030	4
50	PLUG,HOLE F/3/4" HOLE	HW899	1
51	MRO-REMOVABLE LCK,ND 121200-2,BLUE	CS036	1
52	MRO-LOCTITE #411 INSTANT ADHESIVE	CS572	1
53	MRO-TIE,CABLE,3/32" X 4",BLACK	CS444	1
54	WIRE,#22AWG,BLACK,PVC,STRD	EC407	0.25
55	TUBE,SHRINK,BLACK 3/8"RNF	712586	1
56	GRIP,FOAM TUBE,EPDM,.562ID,INCHES	CH098	6.5
57	DECAL, TOP SUPPORT PLATE, MPLUS+	CH112	1
58	GLUE,GRIP,SCOTTS,4ML	CS597	1
59	MRO-ANTI-SEIZE,LPS NICKEL,P/N 03908	CS407	1
65	MRO-GREASE,SUPERLUBE 21060 - 3 OZ	HW039	1
66	WASHER,SPLIT #6 SST	100150	4
67	WASHER,SPLIT LOCK,#8 SST	101738	4
68	NUT,LOCK NYLON INS,SST,8-32	112532	2
69	SCREW,CAP,SKT HD,1/4-20X1,SST	101065	2
70	NUT,LOCK W/NYL INS 1/4-20 SST	HW030	2

<b><i>KIT, ACCESSORY, MPLUS+, CH900, NO DRAWING AVAILABLE</i></b>			
<b>ITEM #</b>	<b>Description</b>	<b>Part Number</b>	<b>Quantity</b>
1	SUN SHIELD,LCD,MPLUS	CH083	1
3	BALL,CENTERING,2PC,ROUNDER	LM299	1
4	CABLE ASSY,CONTRLR>COILER 10',MPLUS	CH070	1
5	CORD,POWER COLOR SCOUT	165006	1
7	ACCESORY BAG,LATERAL MPLUS	CH061	1
8	CAP,VINYL,.625 DIA, W/.6 DIA TETHER	EC2409	1

<b>MPlus+ XL System - PR0004, NO DRAWING AVAILABLE</b>			
ITEM #	Description	Part Number	Quantity
1	CONTROL UNIT MP+,DVR-USB	CH377	1
2	COILER ASSY,LAT PUSH SYSTEM (LARGE)	CH301	1
3	CABLE ASSY,PUSH,200',6MM,GRY,MP+ XL	CH346-20PE	1
5	CAMERA ASSY,MP&T,F/M+,SONDE,XL,NTSC	CH366	1
7	KIT, LARGE PIPE ROLLER SKID SET	CH906	1
8	SUN SHIELD,LCD,MPLUS	CH083	1
10	CABLE ASSY,CONTRLR>COILER 10',MPLUS	CH070	1
11	CORD,POWER COLOR SCOUT	165006	1
12	ACCESORY BAG,LATERAL MPLUS	CH061	1



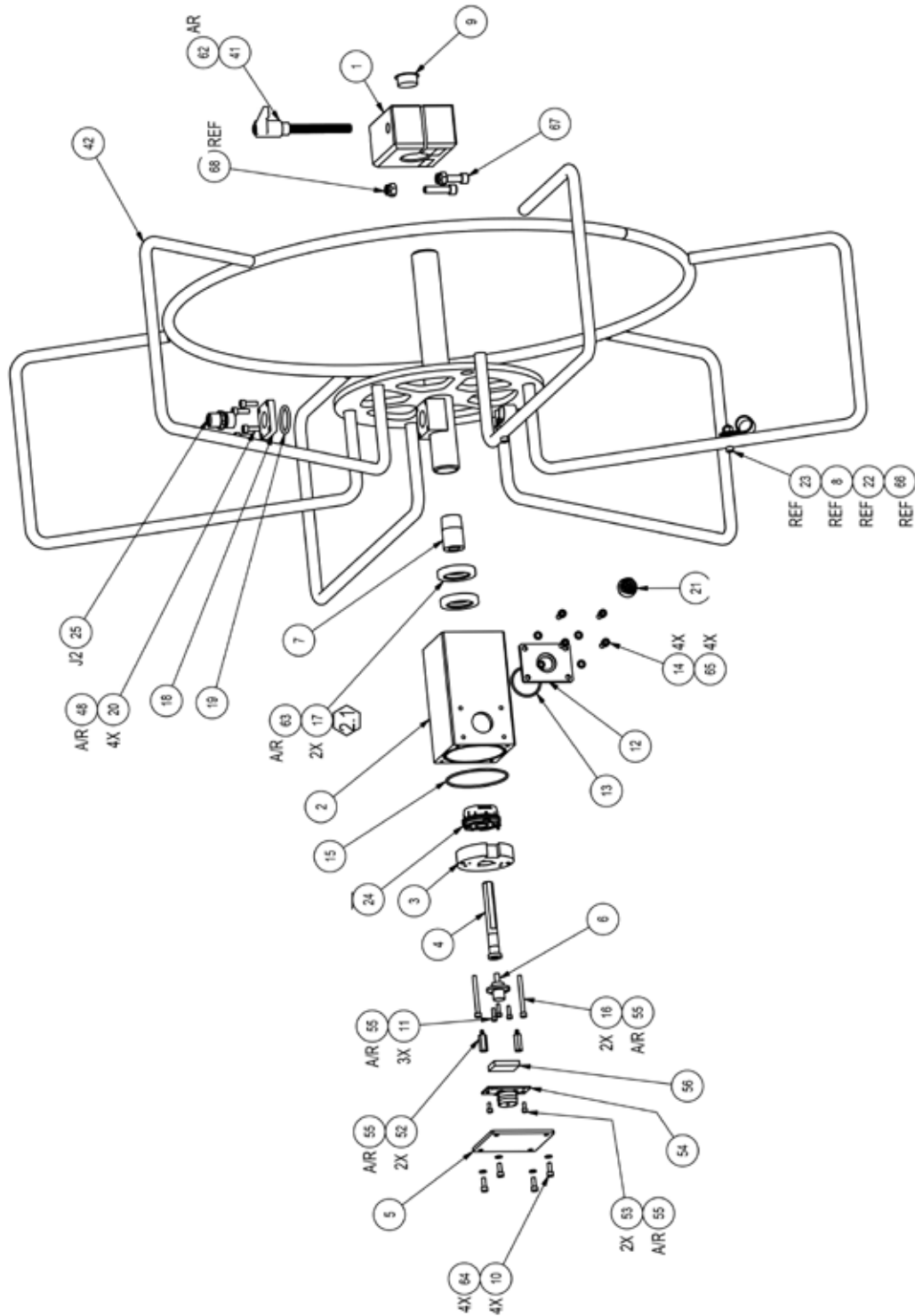


Figure 24. COILER ASSEMBLY, LATERAL PUSH SYSTEM XL, CH301

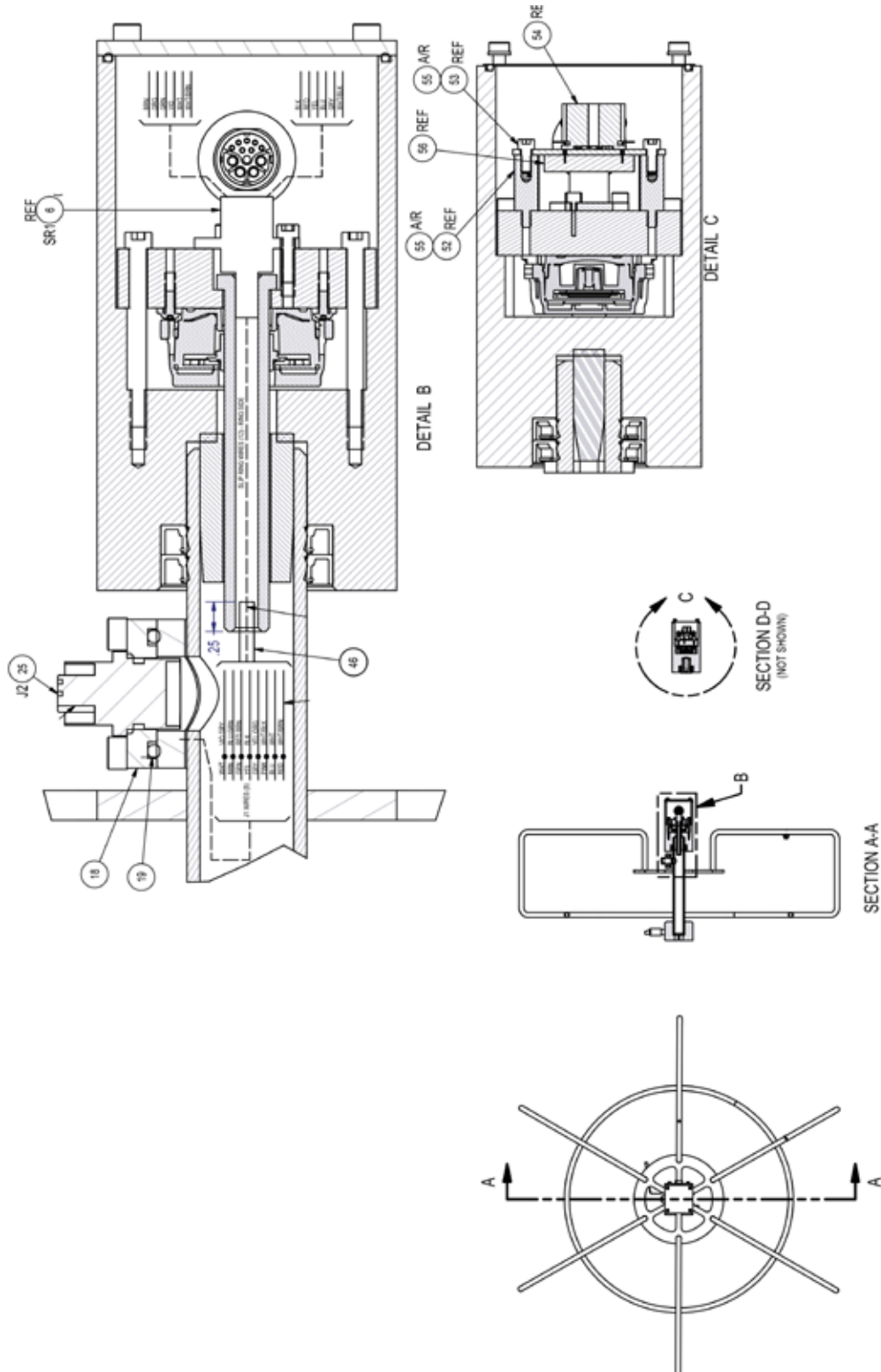


Figure 24a. COILER ASSEMBLY, LATERAL PUSH SYSTEM XL, CH301



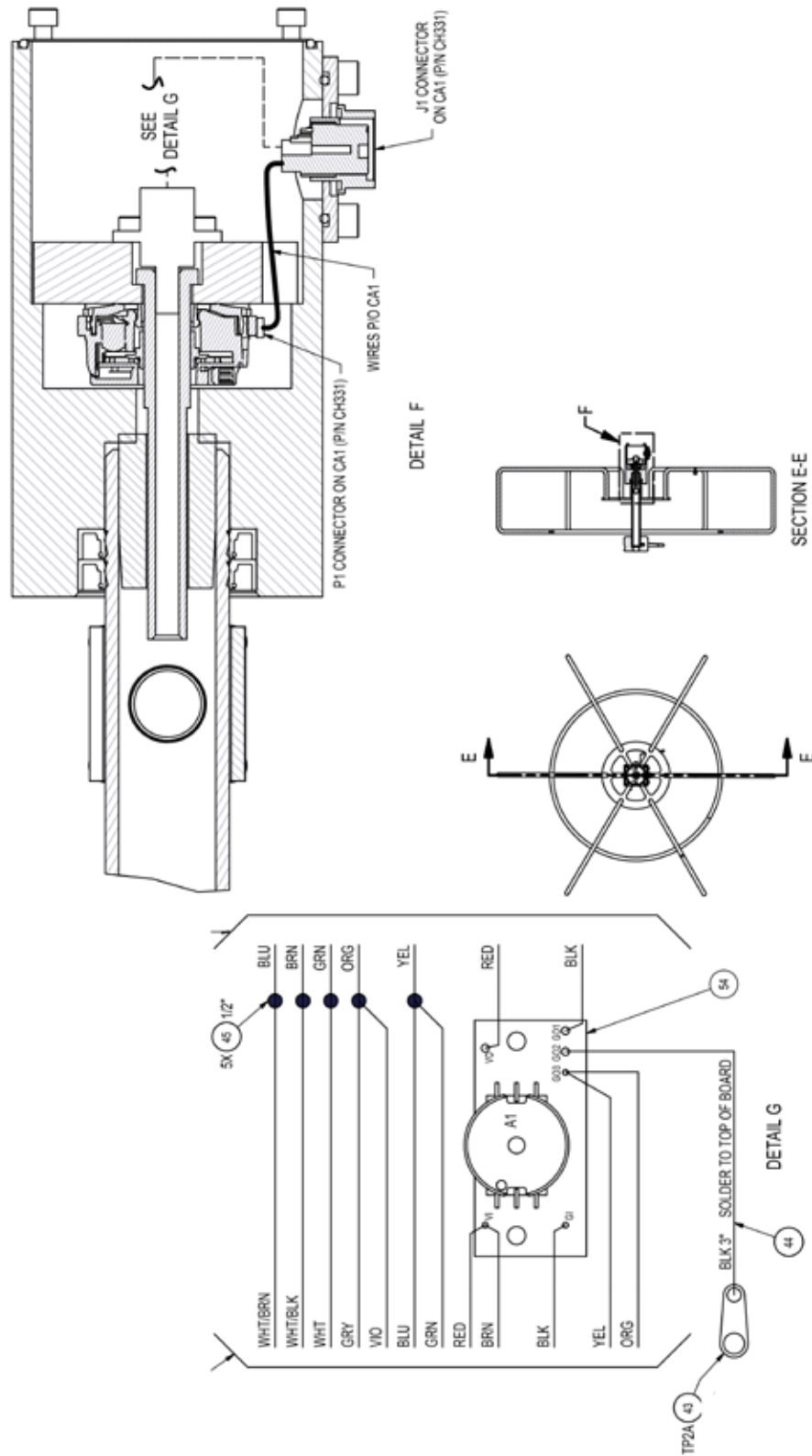
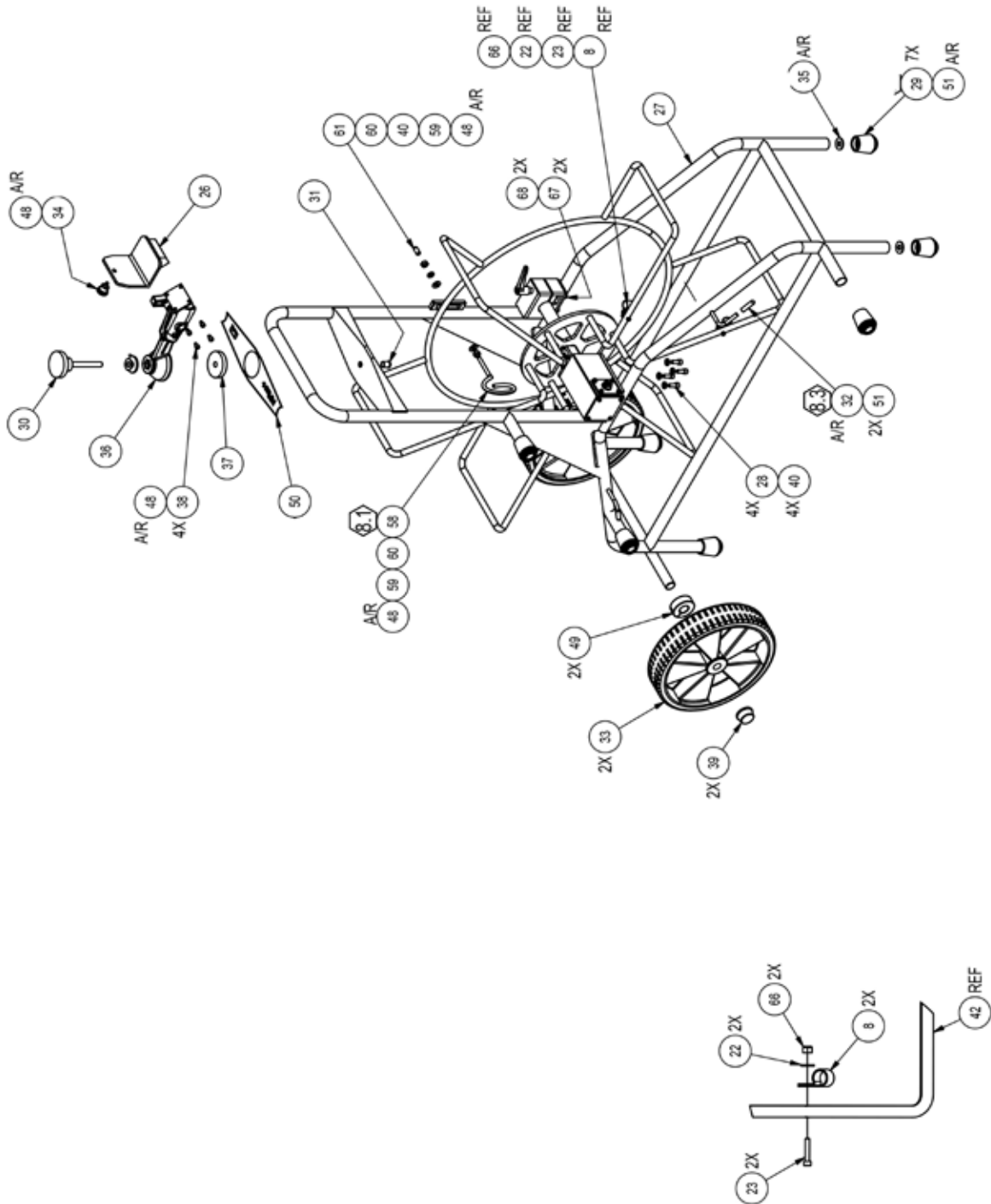


Figure 24b. COILER ASSEMBLY, LATERAL PUSH SYSTEM XL, CH301



*Figure 24c. COILER ASSEMBLY, LATERAL PUSH SYSTEM XL, CH301*

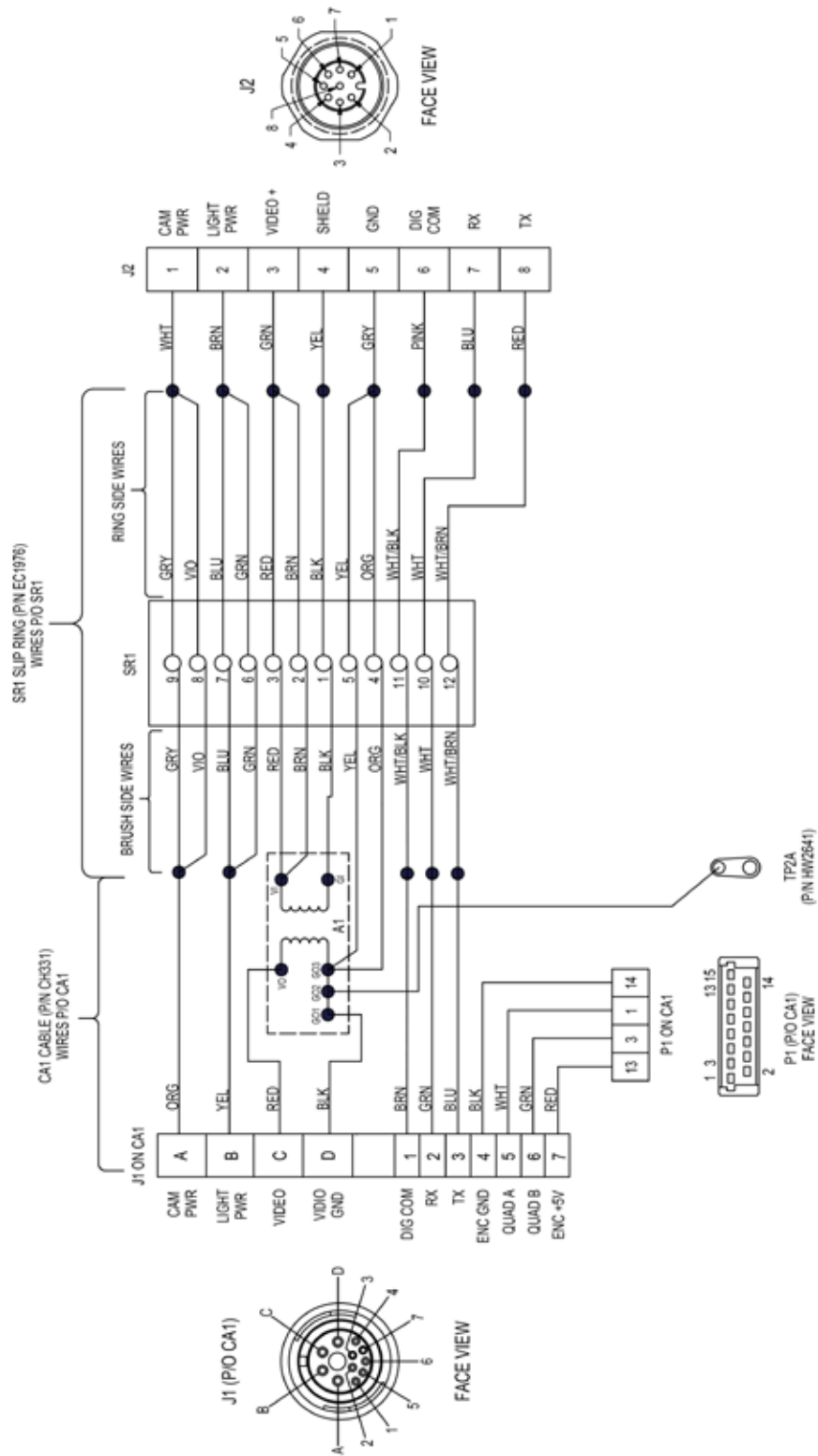


Figure 24d. COILER ASSEMBLY, LATERAL PUSH SYSTEM XL, CH301

<b>COILER ASSEMBLY, LATERAL PUSH SYSTEM, XL, (SEE FIGURE 24), Rev. G, CH301</b>			
ITEM #	Description	Part Number	Quantity
1	BEARING,BRAKE,BASKET ASSY	CH174	1
2	BEARING,SR&ENCODER,MPLUS+	CH002	1
3	FLANGE,BEARING SR&ENCODER MPLUS+	CH003	1
4	JACK SHFT,BEARING SR&ENCODER MPLUS+	CH004	1
5	COVER,BEARING SR&ENCODER,MPLUS+	CH005	1
6	SLIPRING,MOOG SRA-73540,2A,120V	EC1976	1
7	SHAFT BUSHING,BASKET ASSY, MPLUS+	CH014	1
8	CLAMP,LOOP,VINYL COATED,STL, 9/16ID	HW2941	2
9	PLUG,HOLE F/3/4" HOLE	HW899	1
10	SCREW,CAP,SKT HD,6-32X3/8,SST	105071-CUES	4
11	SCREW,CAP,SKT HD,4-40X3/8,SST	100054	3
12	PLATE,MNTG,CONN EC2080	CH037	1
13	O-RING,2-023,BUNA-N	HW731	1
14	SCREW,SHCS,8-32X3/8 SST	100448	4
15	O-RING,2-035,BUNA	7124	1
16	SCREW,CAP,SKT HD,6-32X1 1/2 SST	100114	2
17	SEAL,OIL,1.00ID X 1.43 OD,VITON,SST	HW4039	2
18	PLATE,CONNECTOR MOUNT,MPLUS+	CH063	1
19	O-RING,2-118 EP	132208	1
20	SCREW,CAP,SKT HD,8-32X1/2,SST	101025	4
21	CABLE ASSY,BASKET>SLPRING/ENCNDR,MP+	CH331	1
22	WASHER,FLAT,#8 SST	100139	2
23	SCREW,CAP,SKT HD,8-32X7/8,SST	103067	2
24	ENCODER,OPTICAL KIT,OEM	EC2054	1
25	CONNECTOR,BULKHD,FM,8PIN,LUMBERG	EC274	1
26	MOUNTING BRACKET,COILER ASSY,MPLUS+	CH019	1
27	FRAME ASSY,LARGE,LAT PUSH SYS,MPLUS	CH307	1
28	SCREW,CAP,SKT HD,1/4-20X5/8,SST	101024	4
29	WALKER TIP, .875 DIA, RUBBER, BLK	HW2971	7
30	KNURLED KNOB,.375-16X3.0LG,303SST	HW2883	1
31	CAP,RIGID,PLASTIC, .375 THREAD	HW2506	1
32	CAP,ROUND,PUSH-ON,.25 OD,EDPM	HW2503	2
33	WHEEL,COILER ASSY,LATERAL PUSH SYS	CH010	2
34	PLUNGER,NYLON KNOB,.2 DIA X .2 LG	HW2434	1
35	WASHER,FLAT,5/16 USS PLD	101132	7
36	SWIVEL MOUNT,1.5 BALL,RAM,SPECIAL	HW2501	1

<b>COILER ASSEMBLY, LATERAL PUSH SYSTEM, XL, (SEE FIGURE 24), Rev. G, CH301</b>			
ITEM #	Description	Part Number	Quantity
37	WASHER,2"ODX0.37 IDX.37 THK,BLK	HW2914	1
38	SCREW,CAP,SKT HD,10-32X3/8,SST	103030	4
39	BLACK PUSHNUT FASTENER,3/4" SHAFT	HW2646	2
40	WASHER,SPLIT LOCK,1/4"SST	101740	5
41	HANDLE,ADJUSTBLE,BLK,NYL 5/16-18,SS	HW2907	1
42	BASKET WELDMENT ASSY, LARGE,MPLUS	CH102	1
43	TERMINAL,SOLDER LUG,LOCKWASHER #6	HW2641	1
44	WIRE,#22AWG,BLACK,PVC,STRD	EC407	0.025
45	TUBE,SHRINK,BLACK 1/8"	712789	1
46	TUBE,SHRINK,BLACK 3/8"RNF	712586	1
47	MRO-TIE,CABLE,3/32" X 4",BLACK	CS444	1
48	MRO-REMOVABLE LCK,ND 121200-2,BLUE	CS036	1
49	SHAFT COLLAR,ACETAL,.75 BORE X.50W	HW2882	2
50	DECAL, TOP SUPPORT PLATE, MPLUS+	CH112	1
51	GLUE,GRIP,SCOTTS,4ML	CS597	1
52	STANDOFF,HEX,M/F,4-40,5/8 LG,SS	HW1598	2
53	SCREW,CAP,SOC HD 4-40X1/4 SST	103089	2
54	PCB ASSEMBLY,VIDEO ISOLATION,MPLUS+	CH410	1
55	MRO-LOCTITE 42540 F/PLASTIC	429791	1
56	STRIP,RUBBER, .19"TH X .75"W	HW2640	1
57	MRO-LOCTITE #411 INSTANT ADHESIVE	CS572	1
58	GUIDE,CABLE,RING, F/CH300 COILER	CH006	1
59	WASHER,FLAT,1/4 SAE F/W 18-8	101736	2
60	NUT,HEX,SST,1/4-20	101040	2
61	CAP,RND,NYLON,PUSHON, .25 OD, .5 LG	HW2970	1
62	MRO-ANTI-SEIZE,LPS NICKEL,P/N 03908	CS407	1
63	MRO-GREASE,SUPERLUBE 21060 - 3 OZ	HW039	1
64	WASHER,SPLIT #6 SST	100150	4
65	WASHER,SPLIT LOCK,#8 SST	101738	4
66	NUT,LOCK NYLON INS,SST,8-32	112532	2
67	SCREW,CAP,SKT HD,1/4-20X1,SST	101065	2
68	NUT,LOCK W/NYL INS 1/4-20 SST	HW030	2



CONFIGURATION LIST	
PART NUMBER	DESCRIPTION
MK351	REEL ASSEMBLY, MARK 3, 120 VAC
MK351-1	REEL ASSEMBLY, MARK 3, 240 VAC

*Figure 25. ASSEMBLY, MARK 3 REEL, MK351*

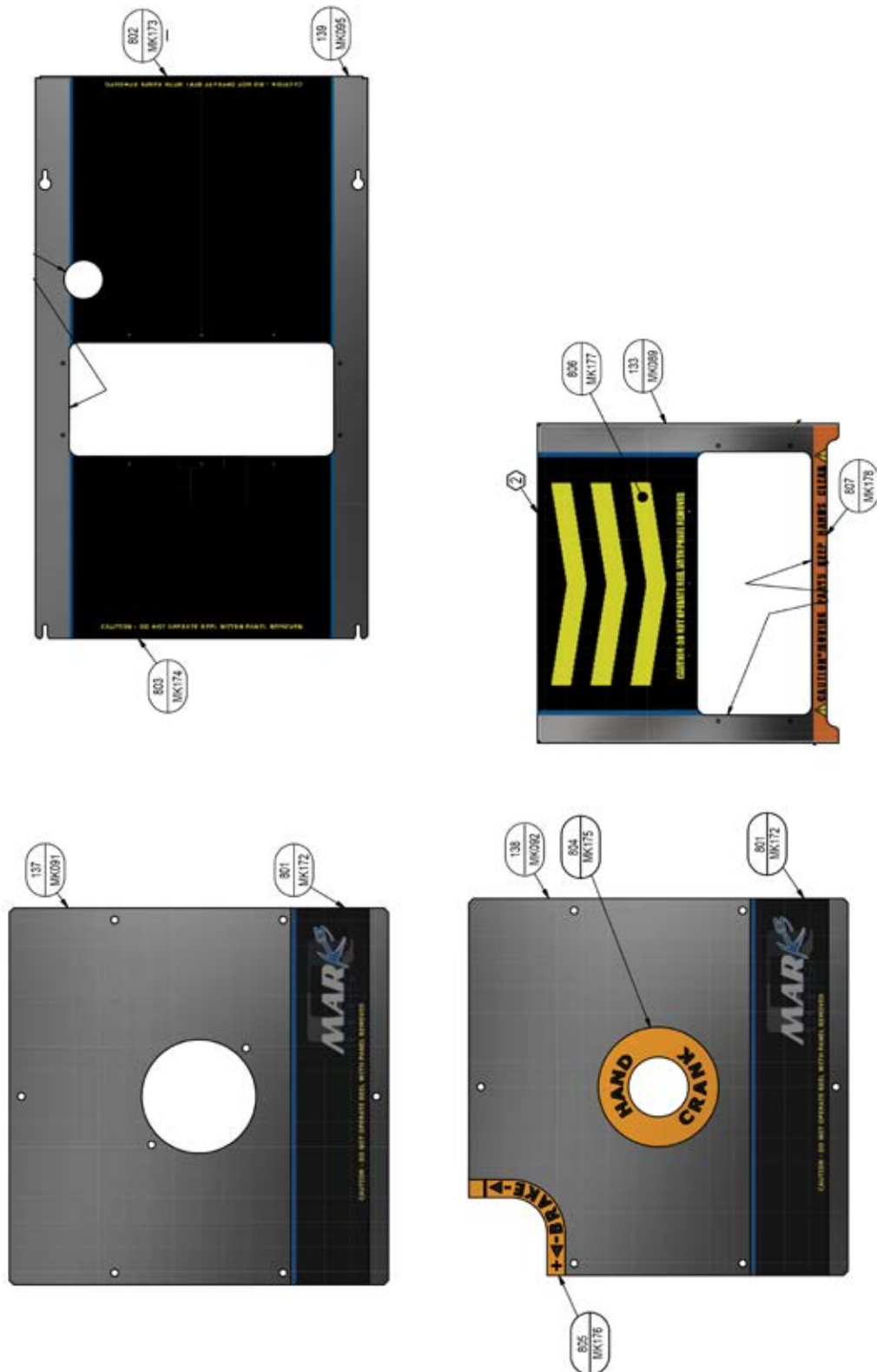


Figure 25a. ASSEMBLY, MARK 3 REEL, MK351

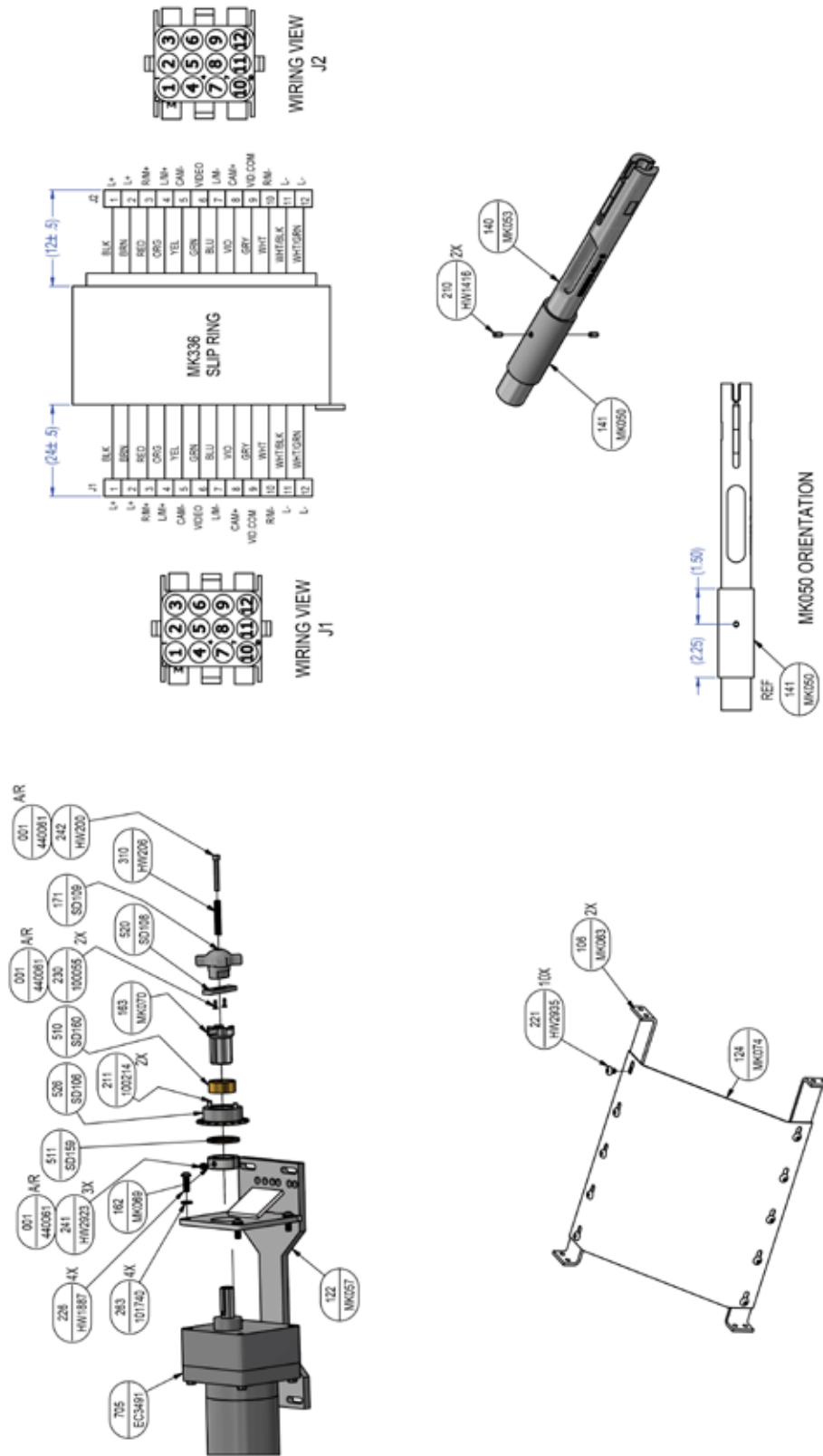


Figure 25b. ASSEMBLY, MARK 3 REEL, MK351



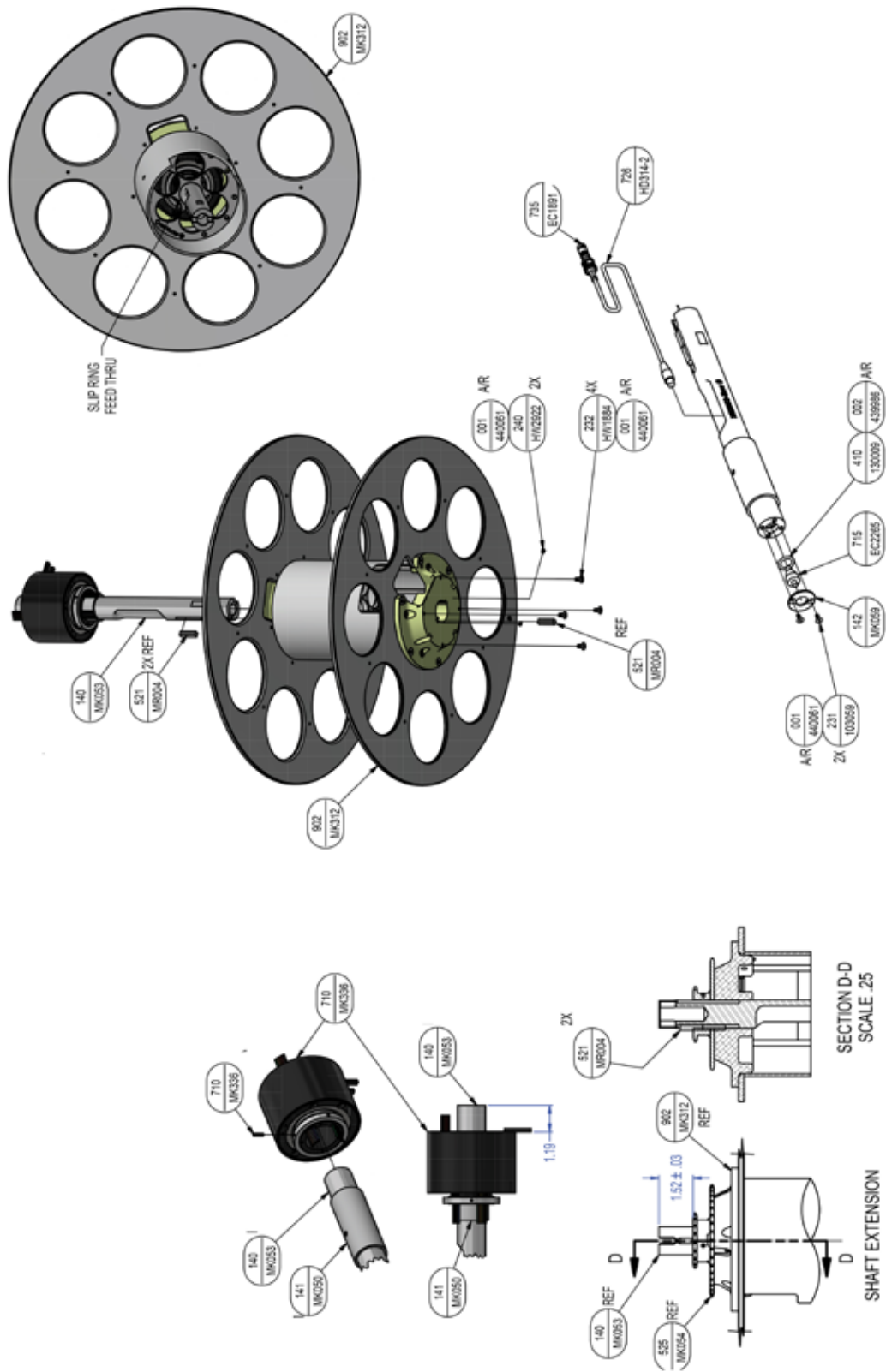


Figure 25c. ASSEMBLY, MARK 3 REEL, MK351

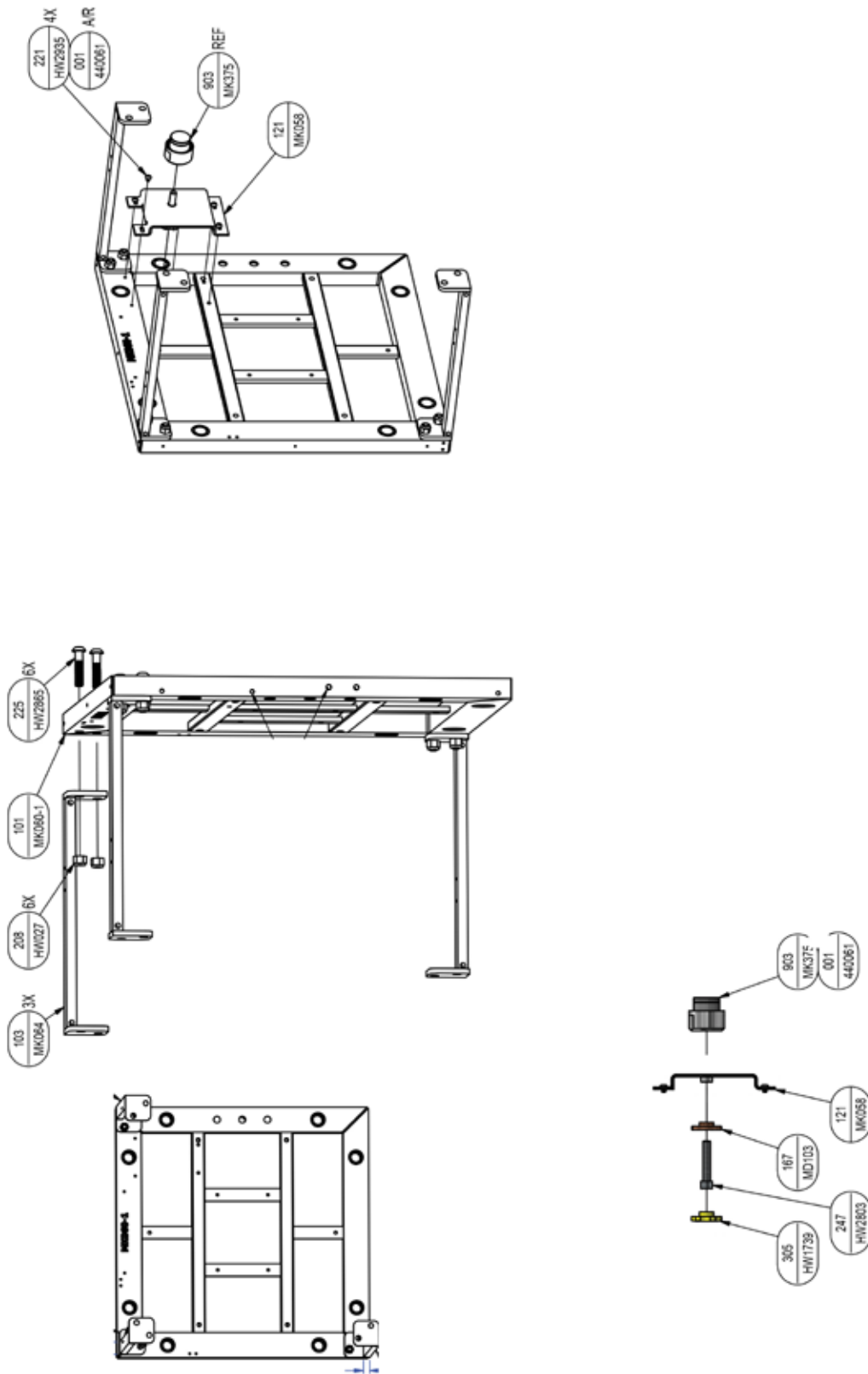


Figure 25d. ASSEMBLY, MARK 3 REEL, MK351

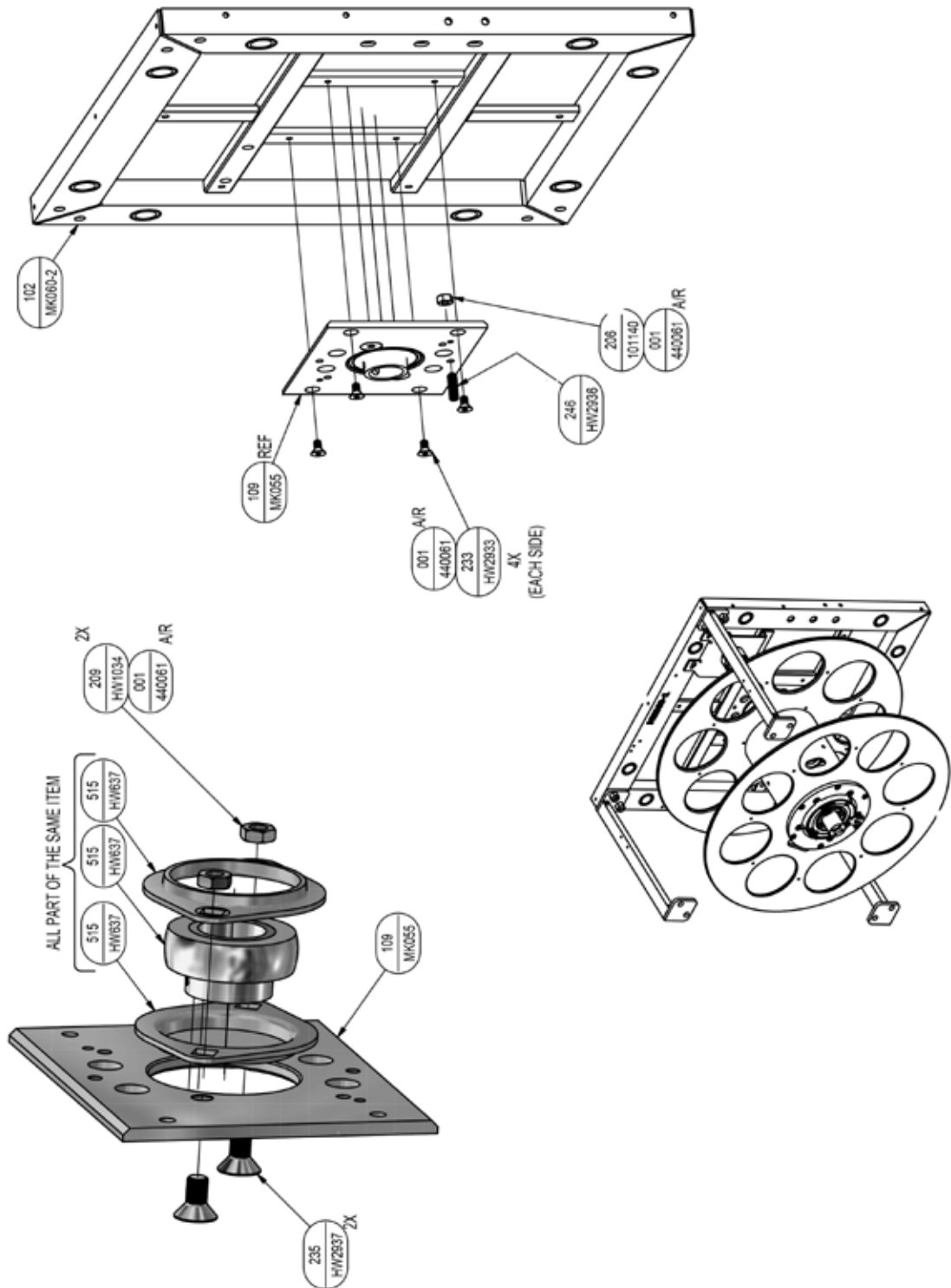


Figure 25e. ASSEMBLY, MARK 3 REEL, MK351

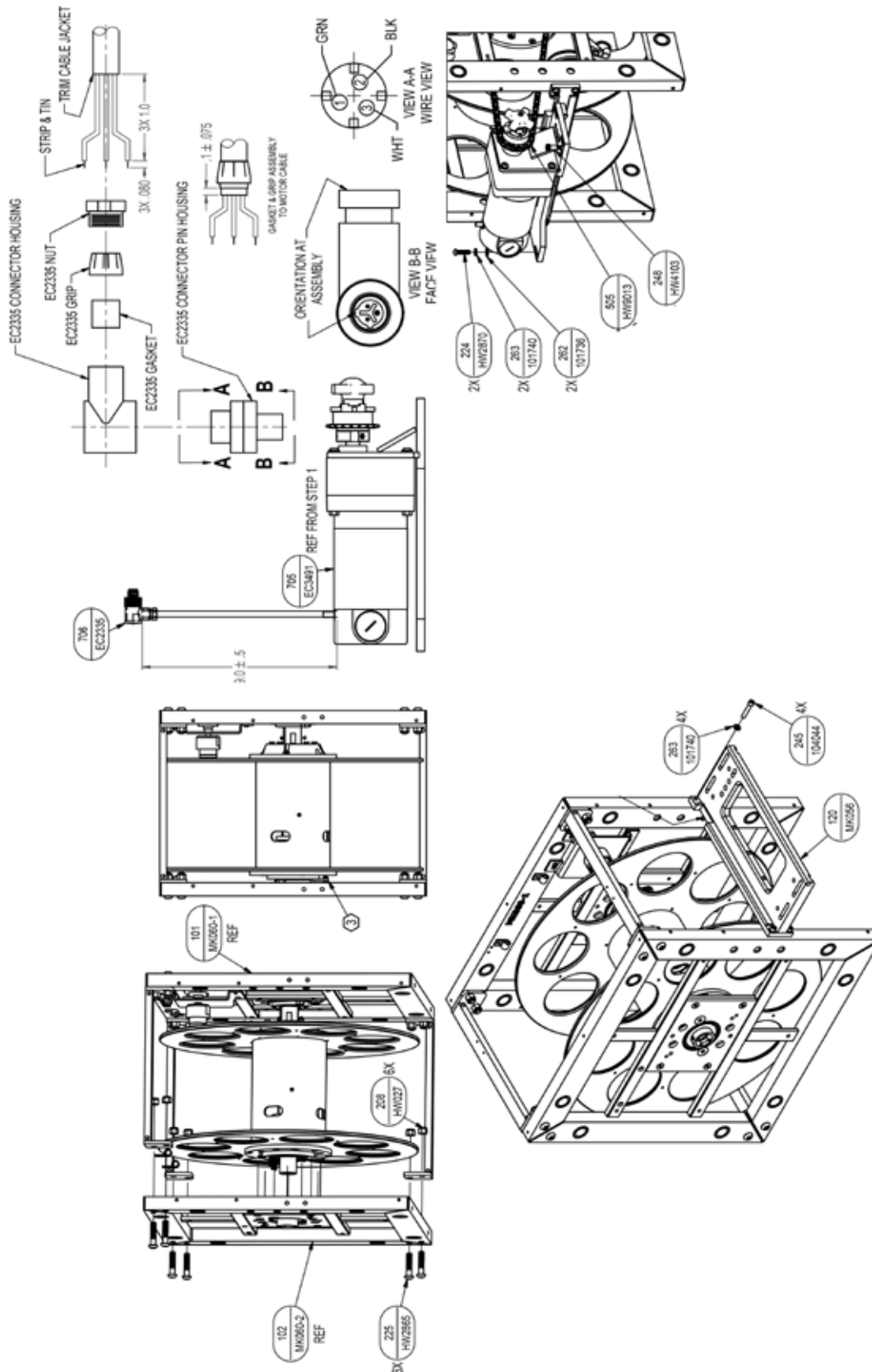


Figure 25f. ASSEMBLY, MARK 3 REEL, MK351

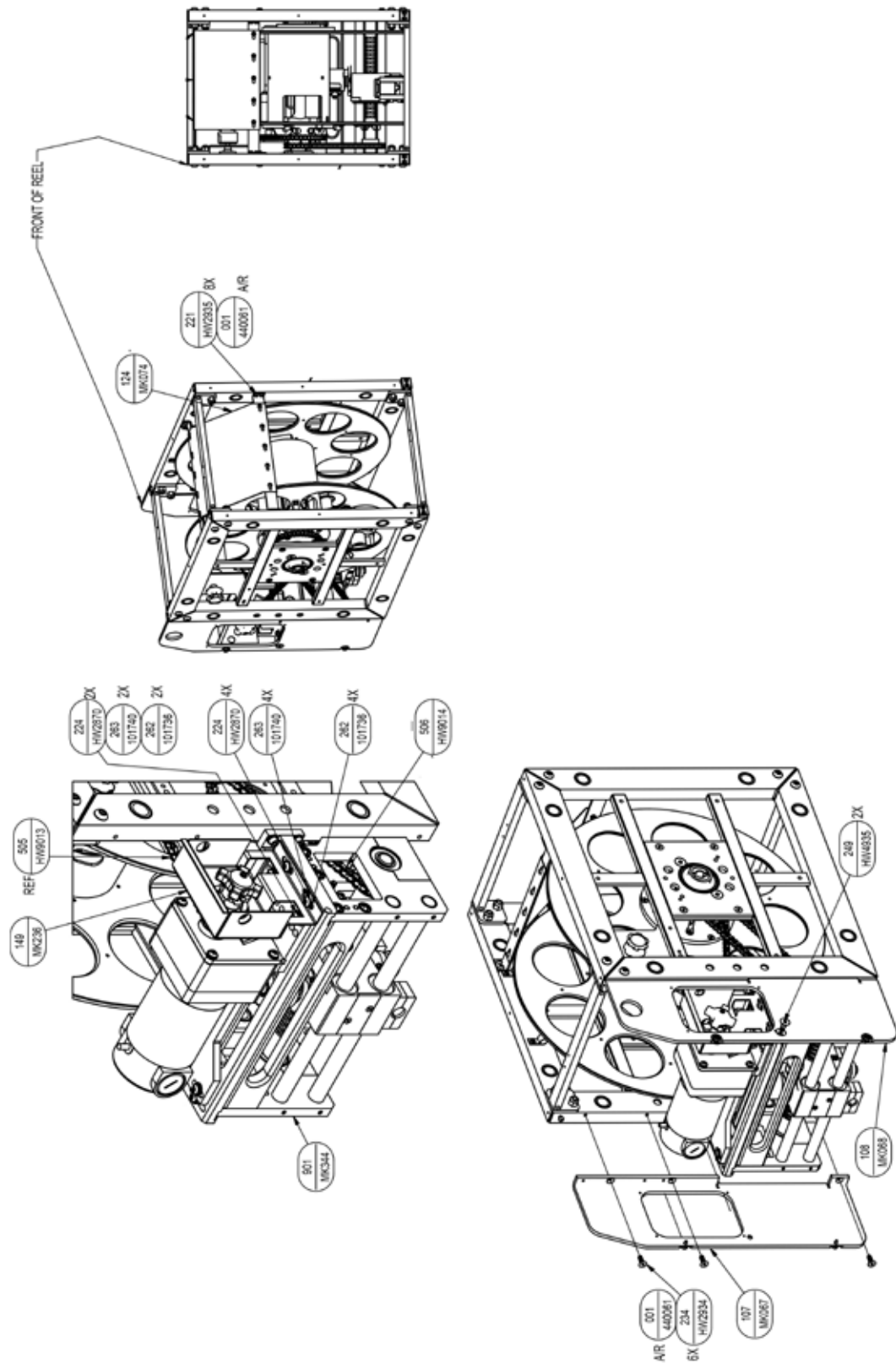


Figure 25g. ASSEMBLY, MARK 3 REEL, MK351

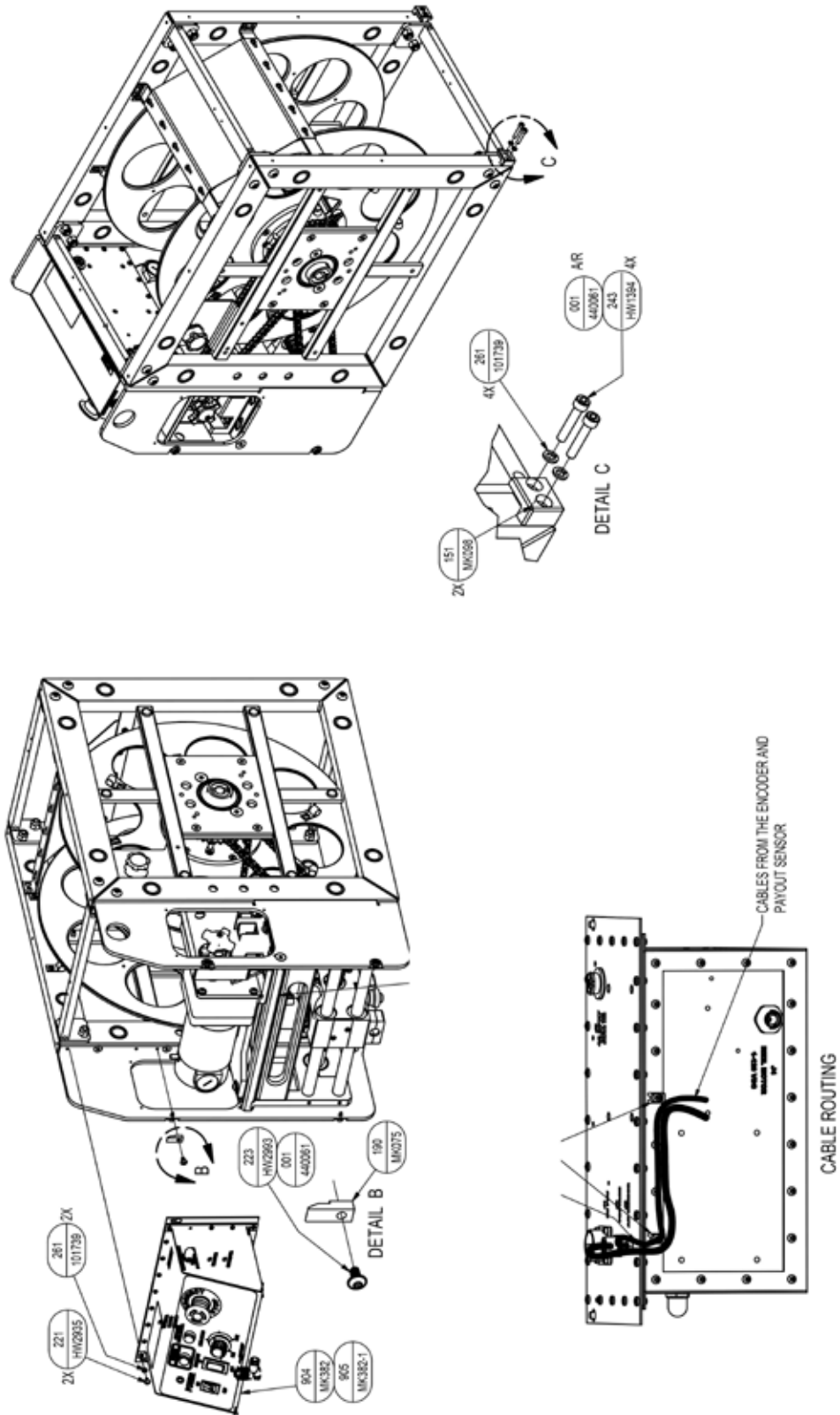


Figure 25h. ASSEMBLY, MARK 3 REEL, MK351

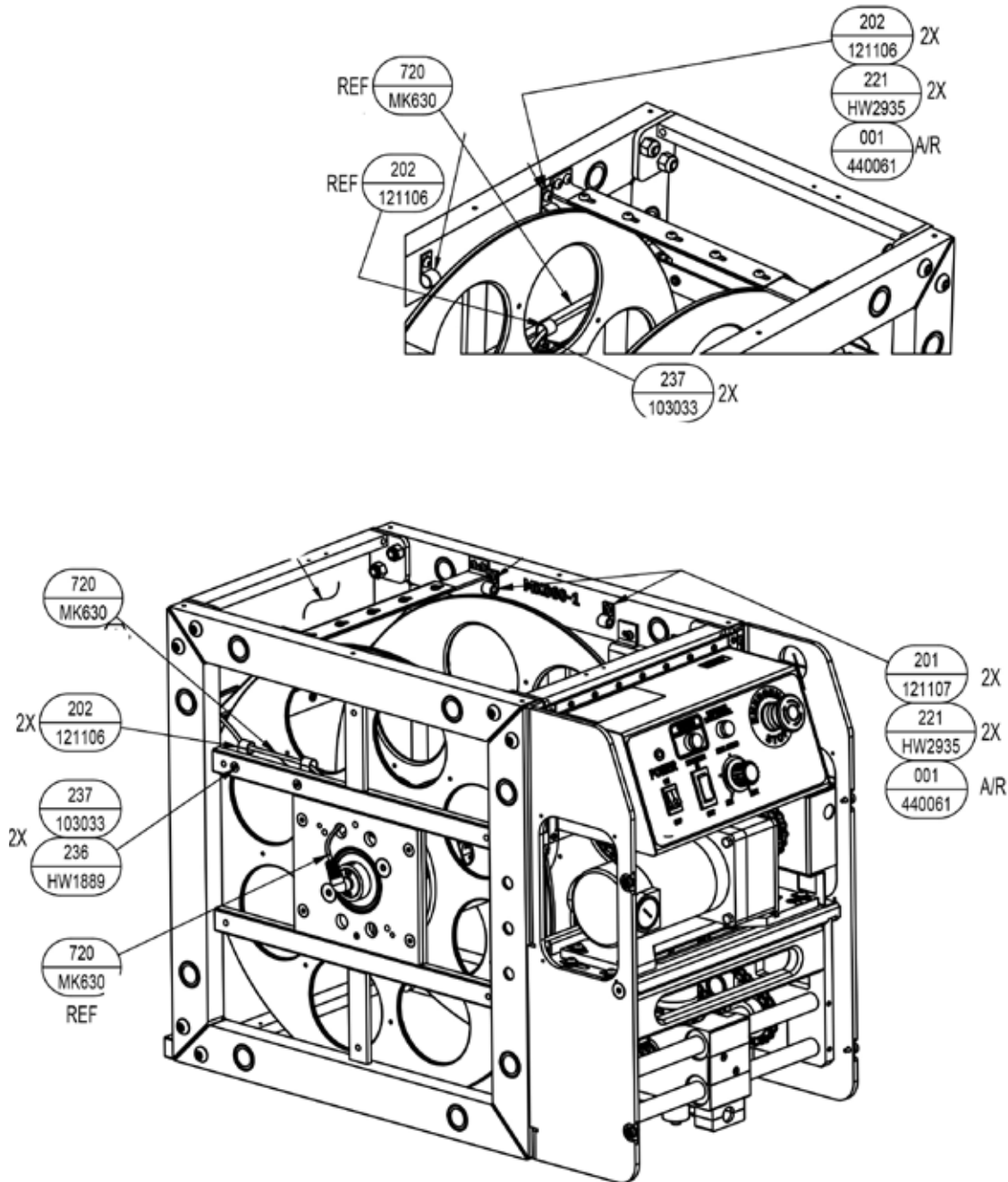


Figure 25i. ASSEMBLY, MARK 3 REEL, MK351

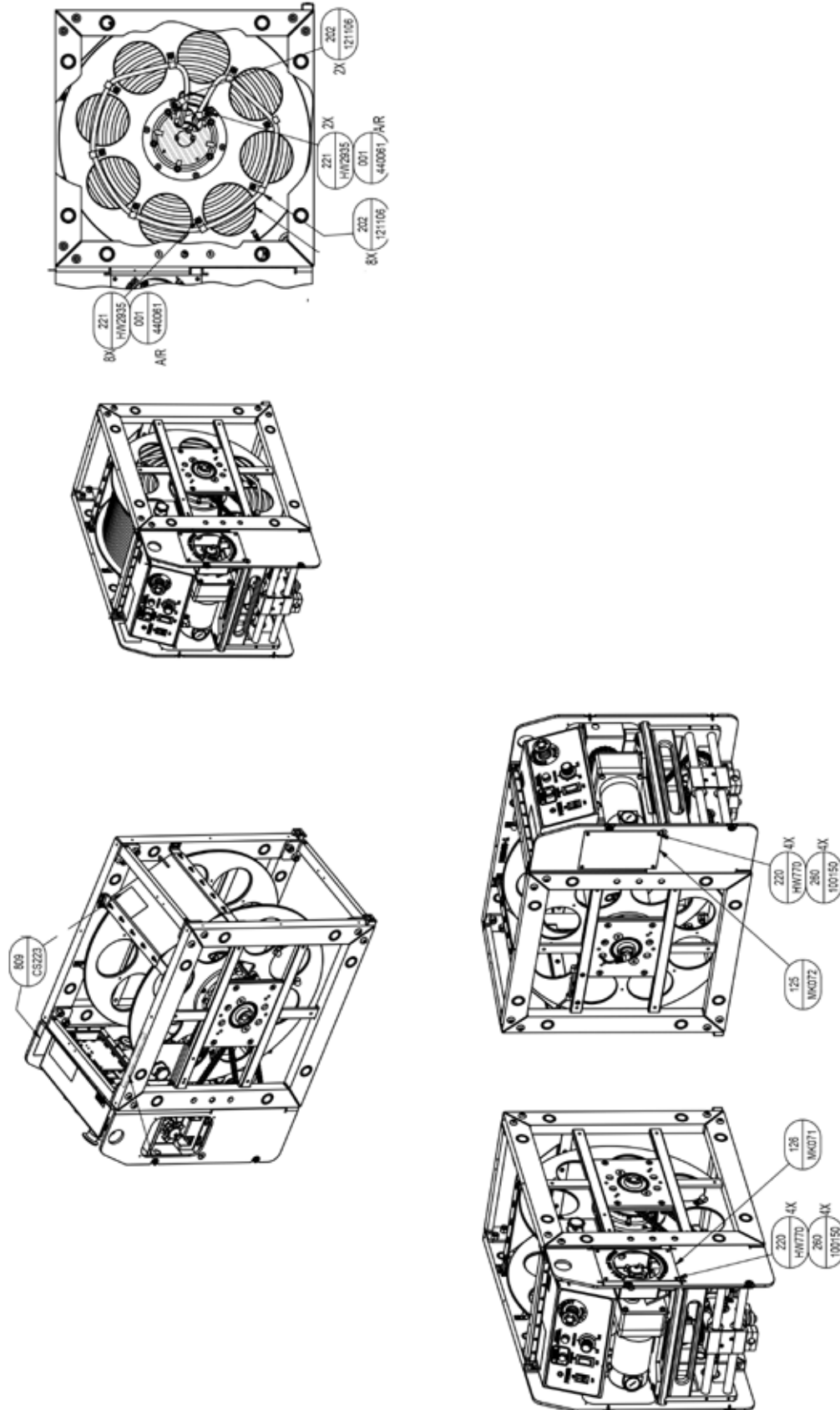


Figure 25j. ASSEMBLY, MARK 3 REEL, MK351



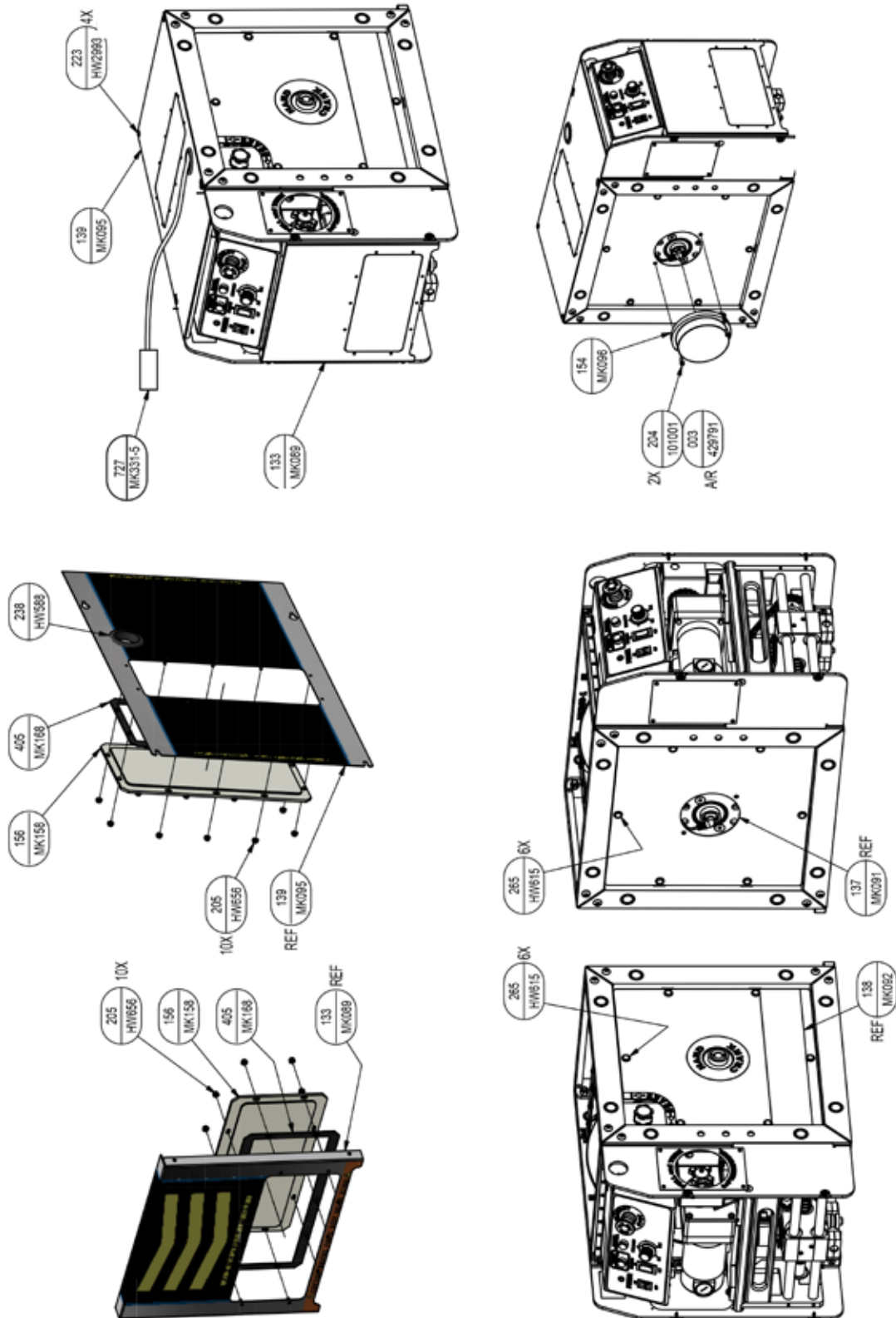


Figure 25k. ASSEMBLY, MARK 3 REEL, MK351

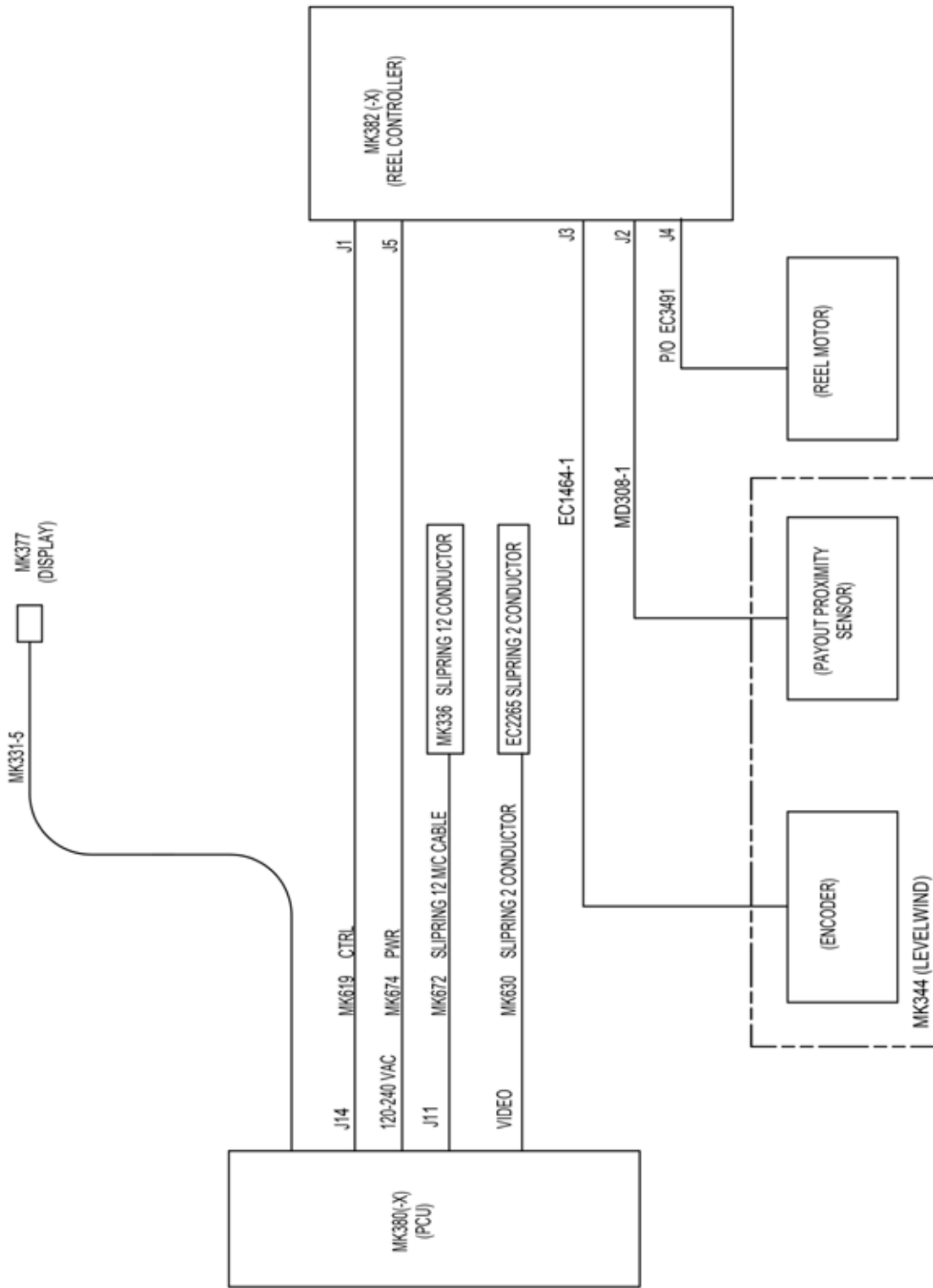


Figure 25l. ASSEMBLY, MARK 3 REEL, MK351

<b>ASSEMBLY, MARK 3 REEL (See Figure 25), Rev. C, P/N MK351</b>			
<b>ITEM #</b>	<b>Description</b>	<b>Part Number</b>	<b>Quantity</b>
1	MRO-REMOVABLE LCK,ND 121200-50,BLUE	440061	1
2	LUBE,ORING, SUPER O LUBE, 2 OZ TUBE	439986	1
3	MRO-LOCTITE 42540 F/PLASTIC	429791	1
101	FRAME, MODULAR, RIGHT SIDE	MK060-1	1
102	FRAME, MODULAR, LEFT, SIDE	MK060-2	1
103	ASSEMBLY, FRAME WIDTH MEMBER .5 X 1	MK064	3
106	BRACKET, MOUNTING. REEL SHIELD, 12"	MK063	2
107	FLANGE, FRONT LEFT	MK067	1
108	FLANGE, FRONT RIGHT	MK068	1
109	PLATE, BEARING MOUNT, MARK3	MK055	2
120	BRACKET, CROSS BAR MOTOR MOUNTING	MK056	1
121	BRACKET, BRAKE MOUNTING.	MK058	1
122	BRACKET, MOTOR MOUNTING	MK057	1
124	SHIELD, REEL-PCU	MK074	1
125	PANEL, MOTOR ACCESS, MK3	MK072	1
126	PANEL, CLUTCH ACCESS, MK3	MK071	1
133	COVER, FRONT, MK3	MK089	1
137	PANEL, COVER, LEFT, MK3	MK091	1
138	PANEL, COVER, RIGHT, MK3	MK092	1
139	COVER, TOP, MK3	MK095	1
140	SHAFT, 1-1/4 DIA, MK REEL	MK053	1
141	SLEEVE, SHAFT, 1.25 - 1.50	MK050	1
142	COVER, SHAFT, SLIP RING, MK3	MK059	1
149	BRACKET, CHAIN GUARD, MK351	MK236	1
151	BLOCK, PCU MOUNTING	MK098	2
154	COVER, SLIP RING	MK096	1
156	WINDOW, 5 X 11, MARK 3	MK158	2
162	COLLAR,CLUTCH, 1.0 IDX1.5 ODX0.5 LG	MK069	1
163	SHAFT, CLUTCH, 1.85 LONG	MK070	1
167	THUMBNUIT,BRAKE,PORTABLE REEL,K2	MD103	1
171	KNOB,HAND,MOD CLUTCH ASSY	SD109	1
190	BLOCK, CTRL PANEL MOUNTING	MK075	2
201	CLAMP,TUBING INSULATED,1/4"	121107	2
202	CLAMP,TUBING INSULATED,3/8"	121106	14
204	SCREW,CAP,SKT HD,1/4-20X1/2,SST	101001	2
205	NUT,NYLOC,#6-32,18-8 SST	HW656	20

<b>ASSEMBLY, MARK 3 REEL (See Figure 25), Rev. C, P/N MK351</b>			
ITEM #	Description	Part Number	Quantity
206	NUT,HEX,SST,5/16-18	101140	1
208	NUT,NYLOCK,3/8-16 SST	HW027	12
209	NUT,JAM,3/8-24X9/16W,THIN,18-8 SST	HW1034	4
210	PIN,DOWEL,3/16"DIA X 3/8LG,18-8	HW1416	2
211	PIN,DOWEL,303 SST .187X.500	100214	2
220	SCREW,BUTTON HD 6-32X5/16 SST SKT	HW770	8
221	SCREW, BUTTON SOC, 10-24X.25 SST	HW2935	38
223	SCREW,BUTTON FLG,SKT,10-24X.375 SST	HW2993	6
224	SCREW,BUTTON SHCS,.375-16X1.0,SS	HW2870	8
225	SCREW,BUTTON SHCS,.375-16X1.75,SST	HW2865	12
226	SCREW,BTN,HEX,SKT,.25-28X.75,18-8SS	HW1887	4
230	SCREW,FLAT,4-40X 3/8 PHIL SST	100055	2
231	SCREW,FLAT,6-32X3/8 SKT SST	103059	2
232	SCREW,FLT,HEX,10-24X.375,18-8SS	HW1884	4
233	SCREW, FLT 82°, SKT, 1/4-20X.5 SST	HW2933	8
234	SCREW, FLT 82°, SKT, 1/4-20X.75 SST	HW2934	6
235	SCREW, FLT 82°, SKT, .375-X.75 SST	HW2937	4
236	SCREW,FLAT,HEX,SKT,10-32X.75,18-8SS	HW1889	2
237	NUT,LOCK,SST,10-32	103033	2
238	GROMMET,RUBBER 1½"	HW588	1
240	SCREW,SET,FULL DOG PT,10-32X.188SS	HW2922	3
241	SCREW,SET,FULL DOG PT,1/4-20X.375SS	HW2923	3
242	SCREW,CAP,SKT HD,10-32X1 1/2,SST	HW200	1
243	SCREW,SKTHD,#10-24 X 1"LG,18-8 SS	HW1394	4
245	SCREW,CAP,SKT HD,1/4-20X1-1/4,SST	104044	4
246	SCREW, SOC SET, CUP PT.312-18X1 SST	HW2936	1
247	SCREW,SHC,3/8-16X2",FULL THREAD,SST	HW2803	1
248	SCREW,SHLD,5/16X1/2LG,1/4-20THD,SST	HW4103	1
249	SHLDR BOLT, FH .313X.25X.25-.20 SS	HW4935	2
260	WASHER,SPLIT #6 SST	100150	8
261	WASHER,SPLIT LOCK,#10 SST	101739	6
262	WASHER,FLAT,1/4 SAE F/W 18-8	101736	8
263	WASHER,SPLIT LOCK,1/4"SST	101740	16
265	FASTENER,SNAP-IN,6MM	HW615	12
305	KNOB,THUMB SCREW,F/3/8 SCREW	HW1739	1
310	SPRING,COMPRESSION,9/32X1-5/8"	HW206	1

<b>ASSEMBLY, MARK 3 REEL (See Figure 25), Rev. C, P/N MK351</b>			
<b>ITEM #</b>	<b>Description</b>	<b>Part Number</b>	<b>Quantity</b>
405	GASKET, WINDOW, 5 X 11	MK168	2
410	O-RING,FLOW METER 0-5 ARP-113	130009	1
505	KIT,CHAIN MK351 MK3 REEL, 37.375"	HW9013	1
506	KIT,CHAIN MK351 MK3 L.W., 34.375"	HW9014	1
510	BEARING,SLEEVE,OILITE 1.0X1.25X.5LG	SD160	1
511	BEARING,THRUST,1.0X1.5X.12THK	SD159	1
515	BEARING,2 BOLT,1¼ BORE,PS2-1-¼S	HW637	2
520	KEY,CLUTCH ASSY	SD108	1
521	KEYSTOCK1/4"X1/4"X1"MACHINESTEEL	MR004	2
525	SPROCKET ASSY, 40T & 19T	MK054	1
526	SPROCKET,MODIFIED,CLUTCH ASSY 19T	SD106	1
705	GEARMOTOR,DC,33A,MODEL 1062, 44:1	EC3491	1
706	PLUG,MICROFAST,3PIN,FIELD WIRE	EC2335	1
710	SLIP RING, 12 CONDUCTOR, 10A	MK336	1
715	SLIP RING,2CON,MERCOTAC 205-L DUC	EC2265	1
720	CABLE ASSY,SLPRNG RECP>TNC,90DEG,HD	MK630	1
723	CABLE ASSY,M/C EXT,12P AMP>12P,M3	MK672	1
724	CABLE ASSY,FTG,PCU>RL CONTROLER,MK3	MK619	1
725	CABLE ASSY,AC PWR,PCU>REEL CTRL,MK3	MK674	1
726	CABLE ASSY,SLIP RING REC TO BNC	HD314-2	1
727	CBL ASSY,UMBILICAL,PCU>DISPLAY,5'	MK331-5	1
735	COUPLER,BNC,75 OHM	EC1891	1
801	LABEL, BANNER, MARK 3 VINYL	MK172	2
802	LABEL, TOP, FRONT, VINYL	MK173	1
803	LABEL, TOP, REAR, VINYL	MK174	1
804	LABEL, HAND CRANK, MARK 3, VINYL	MK175	1
805	LABEL, BRAKE, MARK 3, VINYL	MK176	1
806	LABEL, PANEL, FRONT, TOP, VINYL	MK177	1
807	LABEL, FRONT PANEL, BOTTOM, VINYL	MK178	1
809	LABEL,THERMAL XFR,3.00"W X 2.00"H	CS223	2
901	ASSY, MK3 LEVELWIND & FOOTAGE METER	MK344	1
902	ASSY, SPOOL BOLTED	MK312	1
903	ASSEMBLY, SPRING APPLIED BRAKE, 1.5"	MK375	1
904	ASSY, REEL CTRLER, 120 VAC, MARK 3	MK382	1
906	HAND CRANK,PORTABLE REEL	MD056	1