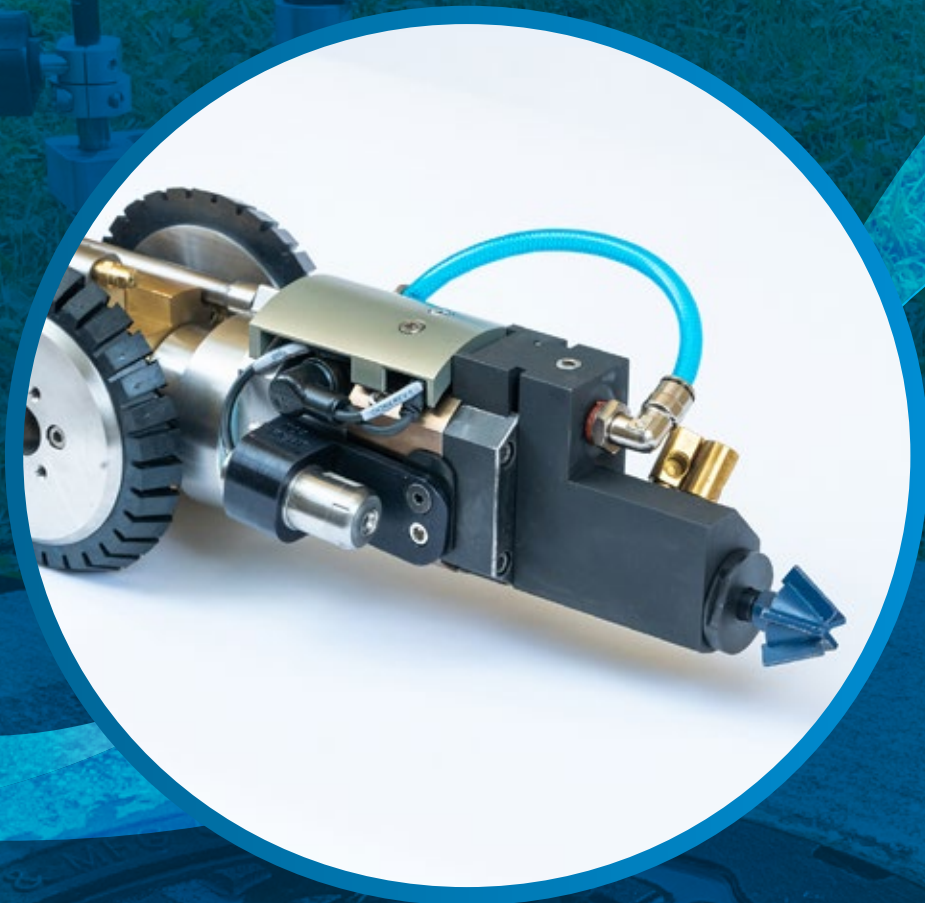


# CUES PARTS CATALOG - Cutters

v09.2024



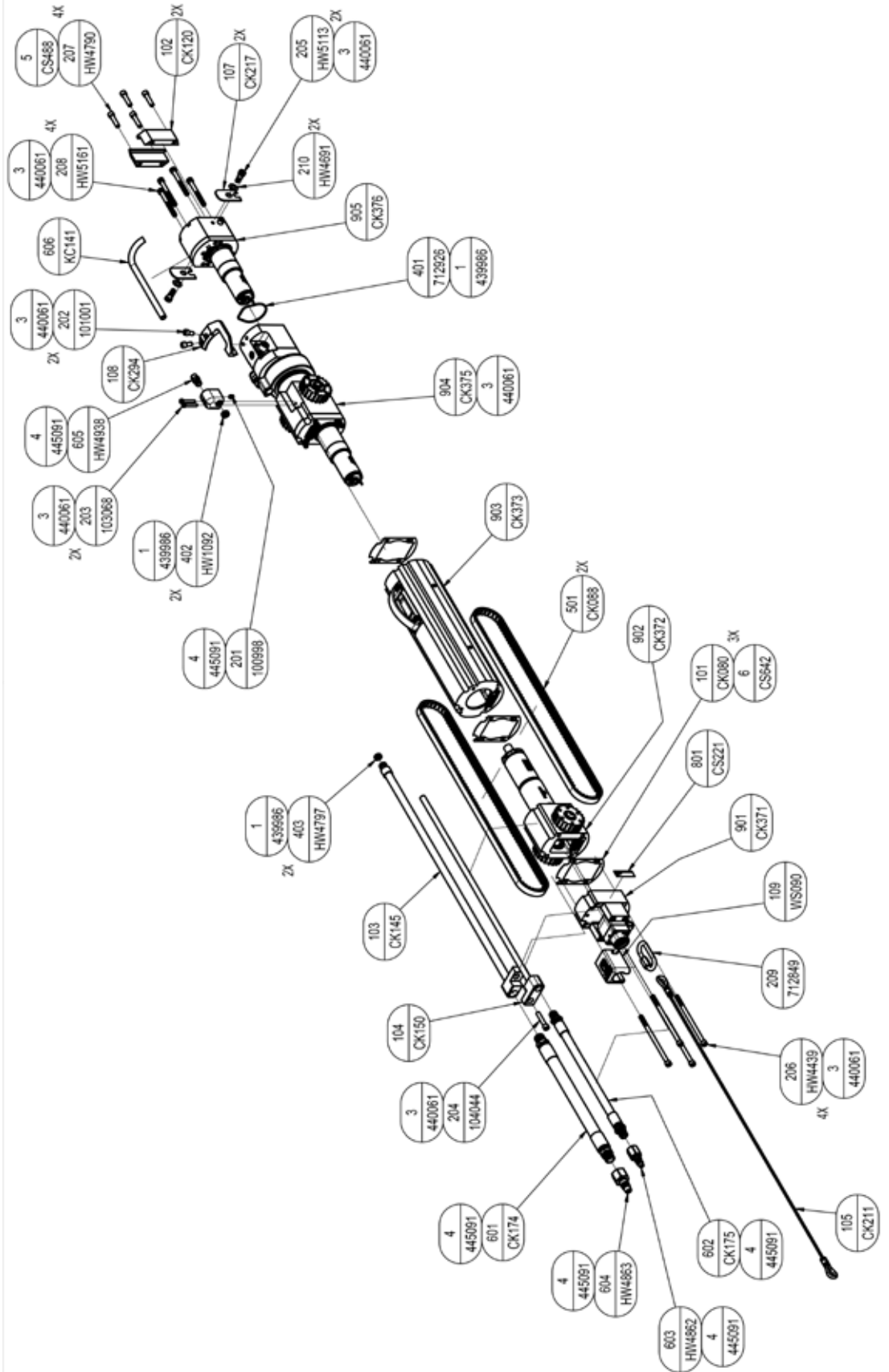


Figure 1. CUTTER ASSY, CURRAHEE, CK6 SERIES 2, P/N CK380

<b>CUTTER ASSY, CURRAHEE, CK6 SERIES 2 (See Figure 1) Rev. - , P/N CK380</b>			
ITEM #	Description	Part Number	Quantity
1	LUBE,ORING, SUPER O LUBE, 2 OZ TUBE	439986	1
2	MRO-PERMANENT LOCK,ND 140500-50,RED	440060	1
3	MRO-REMOVABLE LCK,ND 121200-50,BLUE	440061	1
4	MRO-SEAL.HGH PRESS,ND 440400-10ml,BRN	445091	1
5	ANTI-SEIZE,BRSH,NICKL GRAF,2 OZ	CS488	1
6	MRO-MARINE GREASE, LUCAS OIL	CS642	1
101	GASKET,BODY,CK600	CK080	3
102	RETAINER, CUTTING HEAD	CK120	2
103	AIR PIPE, CK600	CK145	1
104	WATER PIPE, CK600	CK150	1
105	TOW CABLE, CURRAHEE	CK211	1
106	MOUNT, NOZZLE	CK215	1
107	SPACER, CAMERA BRACKET ASSEMBLY	CK217	2
108	GUARD, CABLE CONN, MAIN CAMERA	CK294	1
109	COUPLER,QUICK CBL LOCK,12P CONN	WS090	1
201	SCREW, SET, 1/4-20X1/4, SST	100998	1
202	SCREW,CAP,SKT HD,1/4-20X1/2,SST	101001	2
203	SCREW,CAP,SKT HD,8-32X1.00,SST	103068	2
204	SCREW,CAP,SKT HD,1/4-20X1-1/4,SST	104044	1
205	SCREW,SHLDR,5/16X5/16X1/4-20,17-4	HW5113	2
206	SCREW,CAP,SKT HD,1/4-20X4.5,SST	HW4439	4
207	SCREW,CAP,SKT HD,1/4-20X1,A286SST	HW4790	4
208	SCREW,CAP,SKT HD,1/4-20X2.25,SST	HW5161	4
209	CONNECTOR,THREADED CHAIN 1/4 SST	712849	1
210	SPRING,BELL,.317IDX.625ODX.042,SST	HW4691	2
401	O-RING,2-032 BUNA	712926	1
402	O-RING,2-012,BUNA-N	HW1092	2
403	O-RING, 10MM ID X 1.3MM, BUNA-N	HW4797	2
501	BELT, 8M, 12MM WPTH, 1000MM LNG	CK088	2
601	HOSE, AIR, .5 X 12 IN	CK174	1
602	HOSE, WATER, .25 X 12 IN	CK175	1
603	COUPLING,AIR,1/4,1/4NPTF,SST	HW4862	1
604	COUPLING,AIR,3/8,3/8NPTF,SST	HW4863	1
605	NOZZLE,30DG FLAT SPRAY,1/8NPT,BRASS	HW4938	1
606	HOSE,1/4",FLEXEEL,W/O FITTINGS	KC141	1
801	LABEL,THERMAL XFR,1.500"W X .500"H	CS221	1

<b>CUTTER ASSY, CURRAHEE, CK6 SERIES 2 (See Figure 1) Rev. - , P/N CK380</b>			
ITEM #	Description	Part Number	Quantity
901	REAR END ASSY, CK6	CK371	1
902	DRIVE SYSTEM ASSY, CK6	CK372	1
903	CENTER BODY ASSY, CK6	CK373	1
904	ROTATE ASSY, CK6	CK375	1
905	UP DOWN ASSY, CK6	CK376	1
906	QUICK CARD, CURRAHEE 600 SERIES	CK901	1
907	QUICK CARD,K2/K3 CURRAHEE LAMINATED	CK912	1
908	QR Code – User Guide	MS900	1



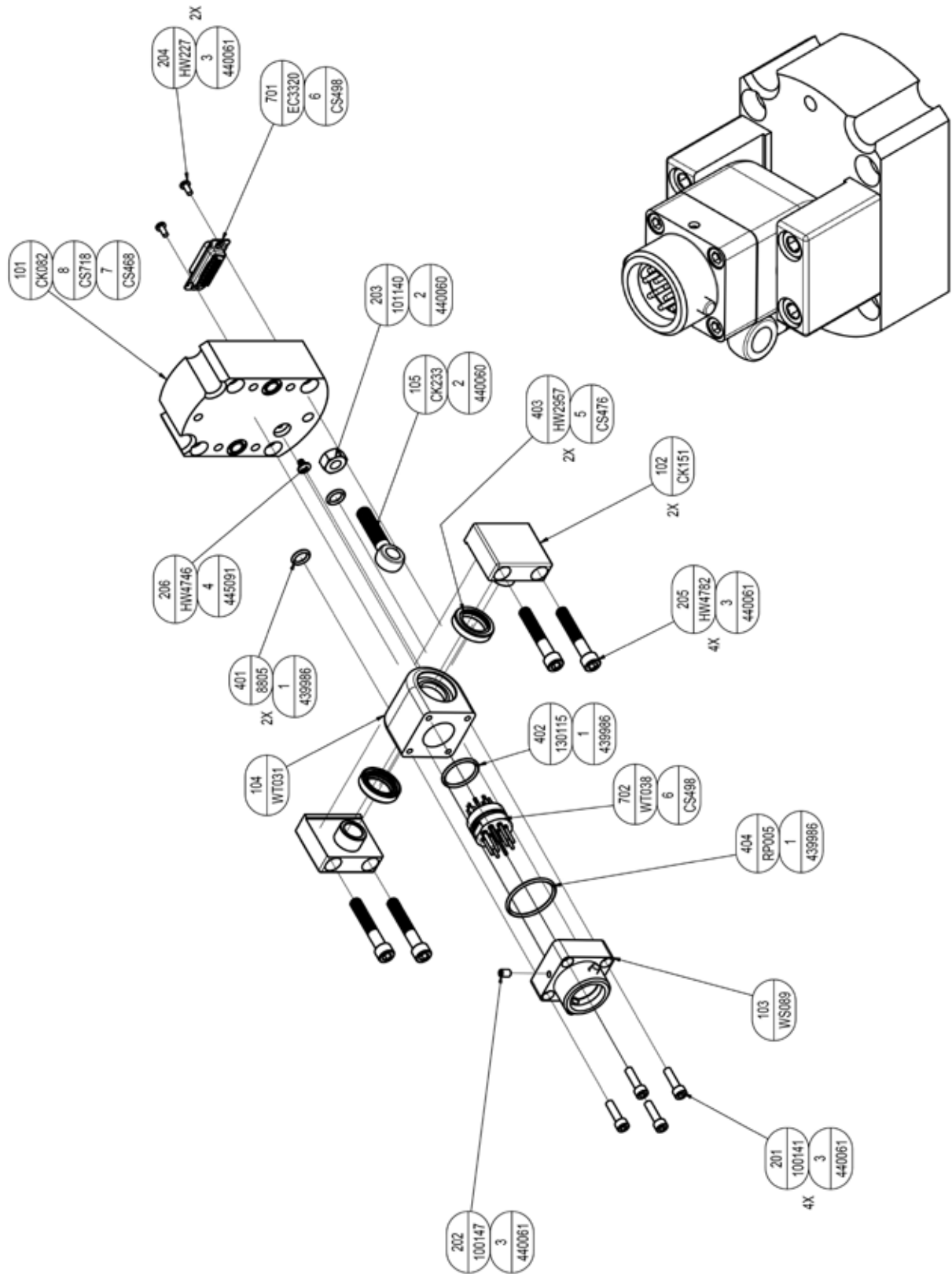


Figure 2. REAR END ASSY, CK6 P/N CK371

<b>REAR END ASSY, CK6, See Figure 2 (Rev. -) P/N CK371</b>			
ITEM #	Description	Part Number	Quantity
1	LUBE,ORING, SUPER O LUBE, 2 OZ TUBE	439986	1
2	MRO-PERMANENT LOCK,ND 140500-50,RED	440060	1
3	MRO-REMOVABLE LCK,ND 121200-50,BLUE	440061	1
4	MRO-SEAL.HGH PRESS,ND 440400-10ml,BRN	445091	1
5	MRO-GREASE,SUPERLUBE 41150 -14.1-OZ	CS476	1
6	MRO-CLEANER,CONTACT,DEOXIT GLD,25ML	CS498	1
7	MRO-CLEANER,DEGREASER,ELECTRO-WASH	CS468	1
8	MRO, GEL, POTTING, SPECTO	CS718	1
101	BODY, REAR END, CK600	CK082	1
102	MOUNT,SWIVEL,12 PIN	CK151	2
103	HOUSING,CONN,QUICK CBL LCK,12P RCPT	WS089	1
104	HOUSING,SWIVEL,REAR,12 PIN	WT031	1
105	ROD END, MODIFIED, .34 HOLE	CK233	1
201	SCREW,CAP,SKT HD,8-32X5/8,SST	100141	4
202	SCREW,SET,8-32X1/4 SST	100147	1
203	NUT,HEX,SST,5/16-18	101140	1
204	SCREW,PAN,4-40X1/4 MACHINE,SST	HW227	2
205	SCREW,CAP,SKT HD,1/4-20X1 1/2,SST	HW4782	4
206	SCREW, SEAL, PAN, 6-32 X 3/16L, SST, PATCH	HW4746	1
401	O-RING,CLAMP PIVOT,2-011,EP	8805	2
402	O-RING,2-018,EP	130115	1
403	SEAL,SHAFT,DBL LIP,.625X.938X.188	HW2957	2
404	O-RING,2-023,SILICONE	RP005	1
701	CONN, D-SUB RCPT 15P STR SOLDER	EC3320	1
702	PLUG,INSERT, MALE,12 PIN	WT038	1
703	WIRE,#24 VIO,PVC	EL922	1
704	WIRE,#24 WHT,PVC	EL919	1
705	WIRE,#24 BRN,PVC	EL920	1
706	WIRE,#24 GRY,PVC	EL921	1
707	WIRE,#24 RED PVC	161571	1
708	WIRE,#24 BLACK PVC	161558	1
709	WIRE,#24 ORN/BLK,PVC	EL923	1
710	WIRE,#24 RED/BLK,PVC	EL924	1
711	WIRE,#22AWG,BLUE,PVC,STRD	EC411	1
712	WIRE,#22AWG,YELLOW,PVC,STRD	EC414	1
713	TUBE,SHRINK,1/16"	712593	1
714	WIRE,#22AWG,ORANGE,PVC,STRD	EL441	1
715	WIRE,#22AWG,GREEN,PVC,STRD	EC410	1
716	TUBE,SHRINK,BLACK 1/8"	712789	1
717	TUBE,SHRINK,BLACK 3/32"	712595	1

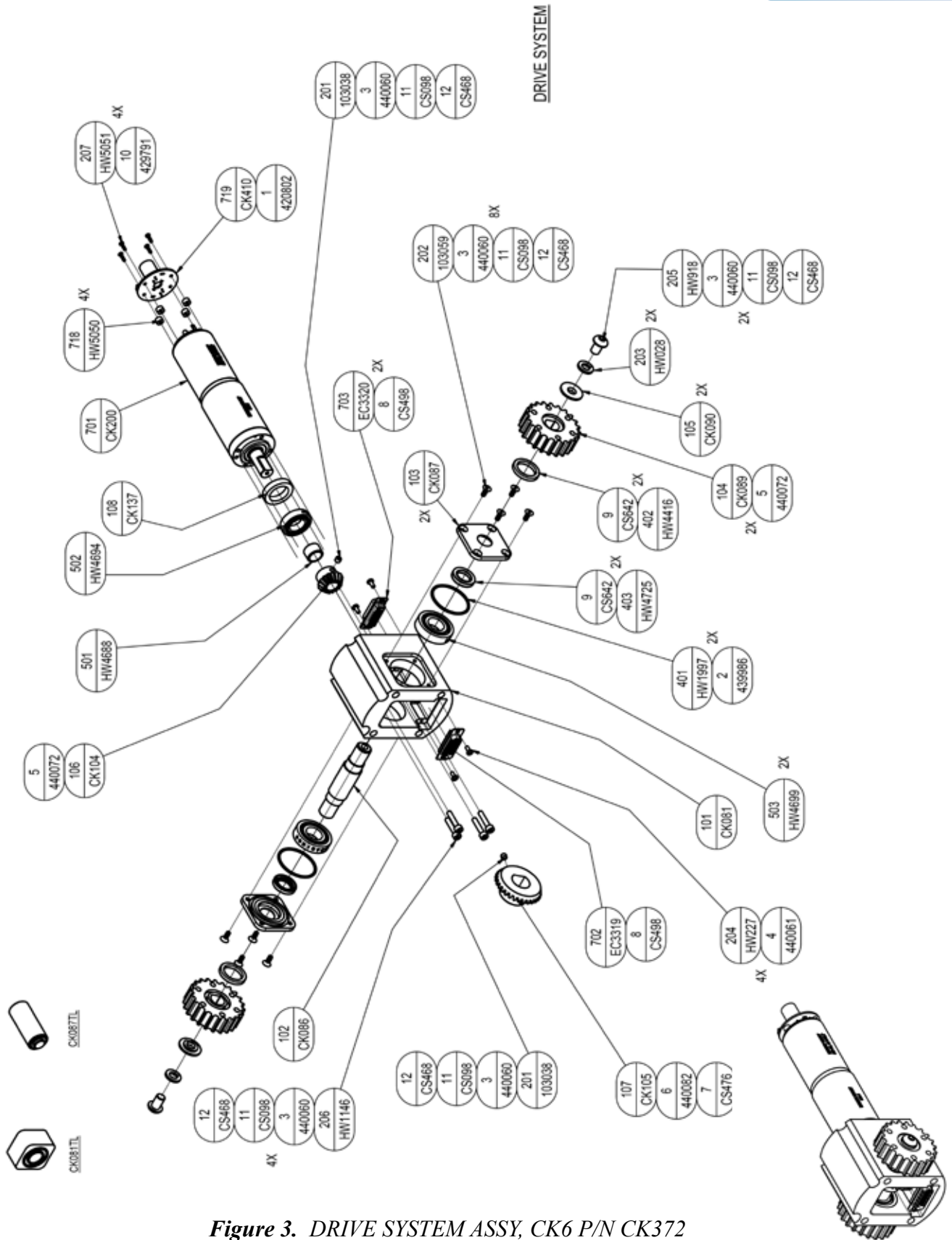


Figure 3. DRIVE SYSTEM ASSY, CK6 P/N CK372

<b>DRIVE SYSTEM ASSY, CK6 See Figure 3 (Rev. -) P/N CK372</b>			
ITEM #	Description	Part Number	Quantity
1	MRO-GOOP,AUTOMOTIVE 3.7 OZ TUBE	420802	1
2	LUBE,ORING, SUPER O LUBE, 2 OZ TUBE	439986	1
3	MRO-PERMANENT LOCK,ND 140500-50,RED	440060	1
4	MRO-REMOVABLE LCK,ND 121200-50,BLUE	440061	1
5	MRO-RET.COMP,.005GP,ND530125-10ml, GRN	440072	1
6	MRO-WICKING,ND 150012-10ml,GREEN	440082	1
7	MRO-GREASE,SUPERLUBE 41150 -14.1-OZ	CS476	1
8	MRO-CLEANER,CONTACT,DEOXIT GLD,25ML	CS498	1
9	MRO-MARINE GREASE, LUCAS OIL	CS642	1
10	MRO-LOCTITE 42540 F/PLASTIC	429791	1
11	MRO-PRIMER-N,ND 611113-56,GREEN	CS098	1
12	MRO-CLEANER,DEGREASER,ELECTRO-WASH	CS468	1
101	BODY, REAR DRIVE, CK600	CK081	1
102	AXLE, DRIVE, CK600	CK086	1
103	COVER, BEARING, CK600	CK087	2
104	SPROCKET, DRIVE, CK600	CK089	2
105	RETAINER, SPROCKET, CK600	CK090	2
106	GEAR, BEVEL, REAR DRIVE, CK600	CK104	1
107	GEAR, BEVEL, REAR DRIVEN, CK600	CK105	1
108	SPACER,GEAR,REAR,DRIVE	CK137	1
201	SCREW,SET,10-32X3/16 SST	103038	2
202	SCREW,FLAT,6-32X3/8 SKT SST	103059	8
203	WASHER,LOCK,5/16 SST	HW028	2
204	SCREW,PAN,4-40X1/4 MACHINE,SST	HW227	4
205	SCREW,BUTTON HD SKT,5/16-18X1/2,SS	HW918	2
206	SCREW,SHC,M4 X 20MM LG,SS	HW1146	4
207	SCREW,M2X8,PAN HD,PHILLIPS,ZINC PLT	HW5051	4
401	O-RING,2-028,BUNA-N	HW1997	2
402	O-RING,QUAD,#210,VITON	HW4416	2
403	SEAL,OIL,14X22X4MM,AS TYPE,NBR	HW4725	2
501	SPACER,BRG,INNER RING,12IDX15OD,10L	HW4688	1
502	BEARING,BALL,SEAL,15X28X7MM,SST	HW4694	1
503	BEARING,BALL,SL,.625X1.375X.344,SST	HW4699	2
701	MOTOR,GEARHEAD, 126:1, DRIVE	CK200	1
702	CONN, D-SUB PLUG 15P STR SOLDER	EC3319	1
703	CONN, D-SUB RCPT 15P STR SOLDER	EC3320	1
704	WIRE,#24 VIO,PVC	EL922	1



<b>DRIVE SYSTEM ASSY, CK6 See Figure 3 (Rev. -) P/N CK372</b>			
ITEM #	Description	Part Number	Quantity
705	WIRE,#24 WHT,PVC	EL919	1
706	WIRE,#24 BRN,PVC	EL920	1
707	WIRE,#24 GRY,PVC	EL921	1
708	WIRE,#24 RED PVC	161571	1
709	WIRE,#24 BLACK PVC	161558	1
710	WIRE,#24 ORN/BLK,PVC	EL923	1
711	WIRE,#24 RED/BLK,PVC	EL924	1
712	WIRE,#22AWG,BLUE,PVC,STRD	EC411	1
713	WIRE,#22AWG,YELLOW,PVC,STRD	EC414	1
714	TUBE,SHRINK,1/16"	712593	1
715	TUBE,SHRINK,BLACK 3/16"RNF	712577	1
716	WIRE,#22AWG,ORANGE,PVC,STRD	EL441	1
717	WIRE,#22AWG,GREEN,PVC,STRD	EC410	1
718	SPACER,#2,.09IDX1/4ODX5/32LG,ALUM	HW5050	4
719	PCB ASSY, CK600 DRIVE MOTOR FILTER	CK410	1

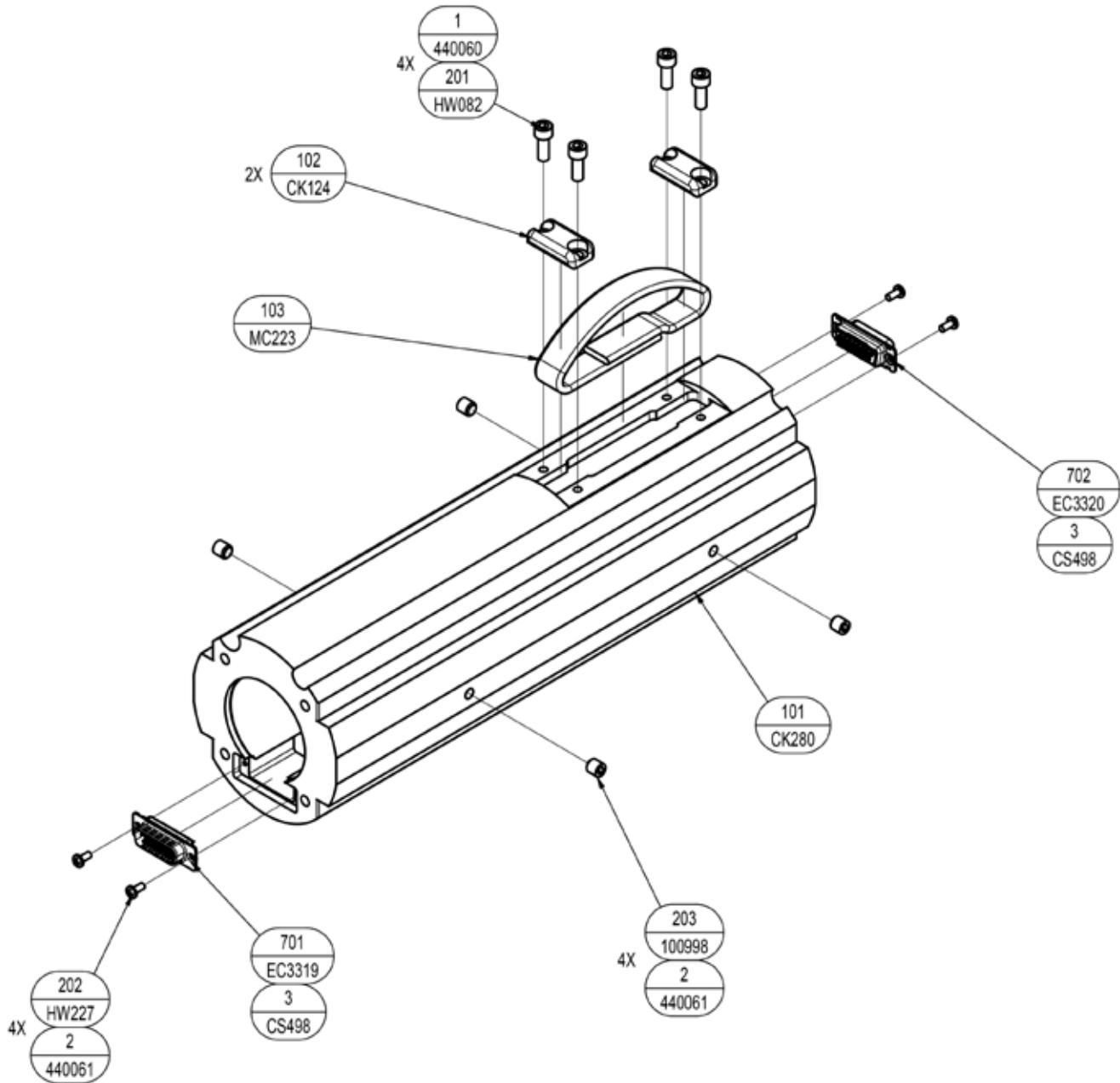
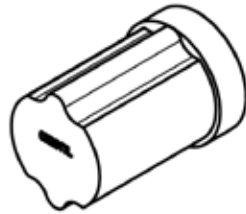


Figure 4. CENTER BODY ASSY, CK6 P/N CK373

<b>CENTER BODY ASSY, CK6, See Figure 4 (Rev. -) P/N CK373</b>			
ITEM #	Description	Part Number	Quantity
1	MRO-PERMANENT LOCK,ND 140500-50,RED	440060	1
2	MRO-REMOVABLE LCK,ND 121200-50,BLUE	440061	1
3	MRO-CLEANER,CONTACT,DEOXIT GLD,25ML	CS498	1
101	BODY, CENTER, CK6	CK280	1
102	MOUNT, LIFTING LOOP	CK124	2
103	LOOP,LIFTING,WEBBING,U-SHTY,WTR,CPR	MC223	1
201	SCREW,CAP,SKT HD,#10-24X1/2" SST	HW082	4
202	SCREW,PAN,4-40X1/4 MACHINE,SST	HW227	4
203	SCREW, SET, 1/4-20X1/4, SST	100998	4
701	CONN, D-SUB PLUG 15P STR SOLDER	EC3319	1
702	CONN, D-SUB RCPT 15P STR SOLDER	EC3320	1
703	WIRE,#24 VIO,PVC	EL922	1
704	WIRE,#24 WHT,PVC	EL919	1
705	WIRE,#24 RED PVC	161571	1
706	WIRE,#24 BLACK PVC	161558	1
707	WIRE,#24 ORN/BLK,PVC	EL923	1
708	WIRE,#24 RED/BLK,PVC	EL924	1
709	WIRE,#22AWG,BLUE,PVC,STRD	EC411	1
710	WIRE,#22AWG,YELLOW,PVC,STRD	EC414	1
711	TUBE,SHRINK,1/16"	712593	1
712	TUBE,SHRINK,BLACK 1/4"RNF	712576	1

**SPECIALTY TOOLS FOR ASSEMBLY AND DISASSEMBLY REQUIRED**



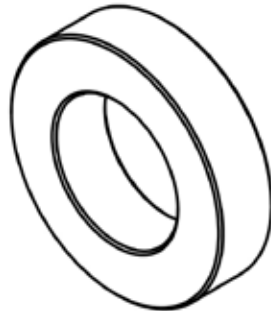
**CK281TL**  
MAIN BORE  
BEARING PRESS



**CK083TL**  
BEARING PRESS  
TOOL



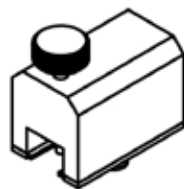
**CK207TL AND CK207TL-1**  
BEARING TO  
AXLE PRESS



**CK235TL**  
BEARING TO AXLE  
BODY SUPPORT



**CK206TL**  
BEARING TO  
SPROCKET PRESS



**CK357TL**  
GEAR REMOVAL  
TOOL



**CK236TL**  
SPROCKET  
BEARING PULLER



**CK181TL**  
MAIN BORE  
SEAL PRESS

*Figure 5a. CUTTER ASSY, CURRAHEE, ROTATE HEAD, CK6 SERIES 2 P/N CK375*

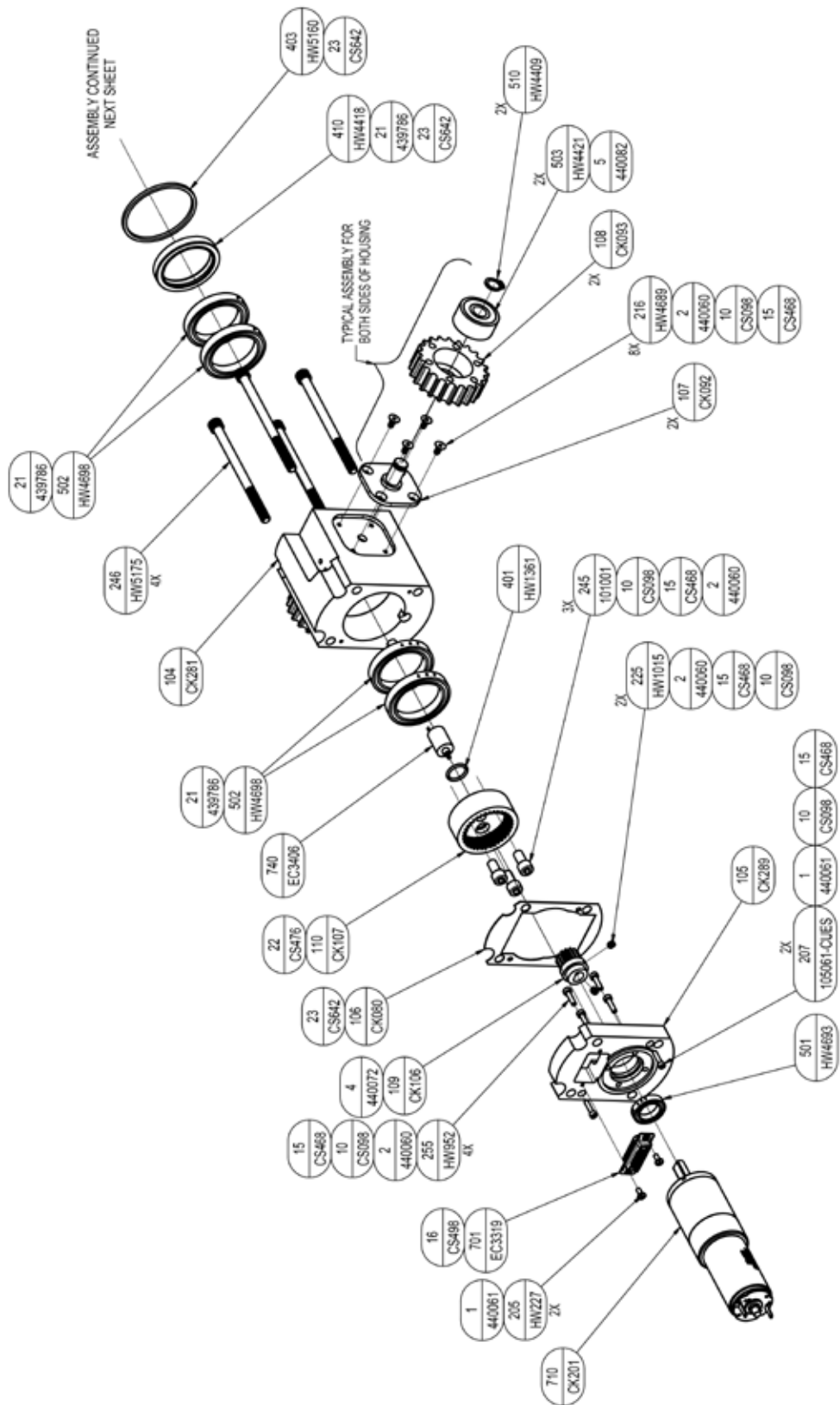


Figure 5b. CUTTER ASSY, CURRAHEE, ROTATE HEAD, CK6 SERIES 2 P/N CK375



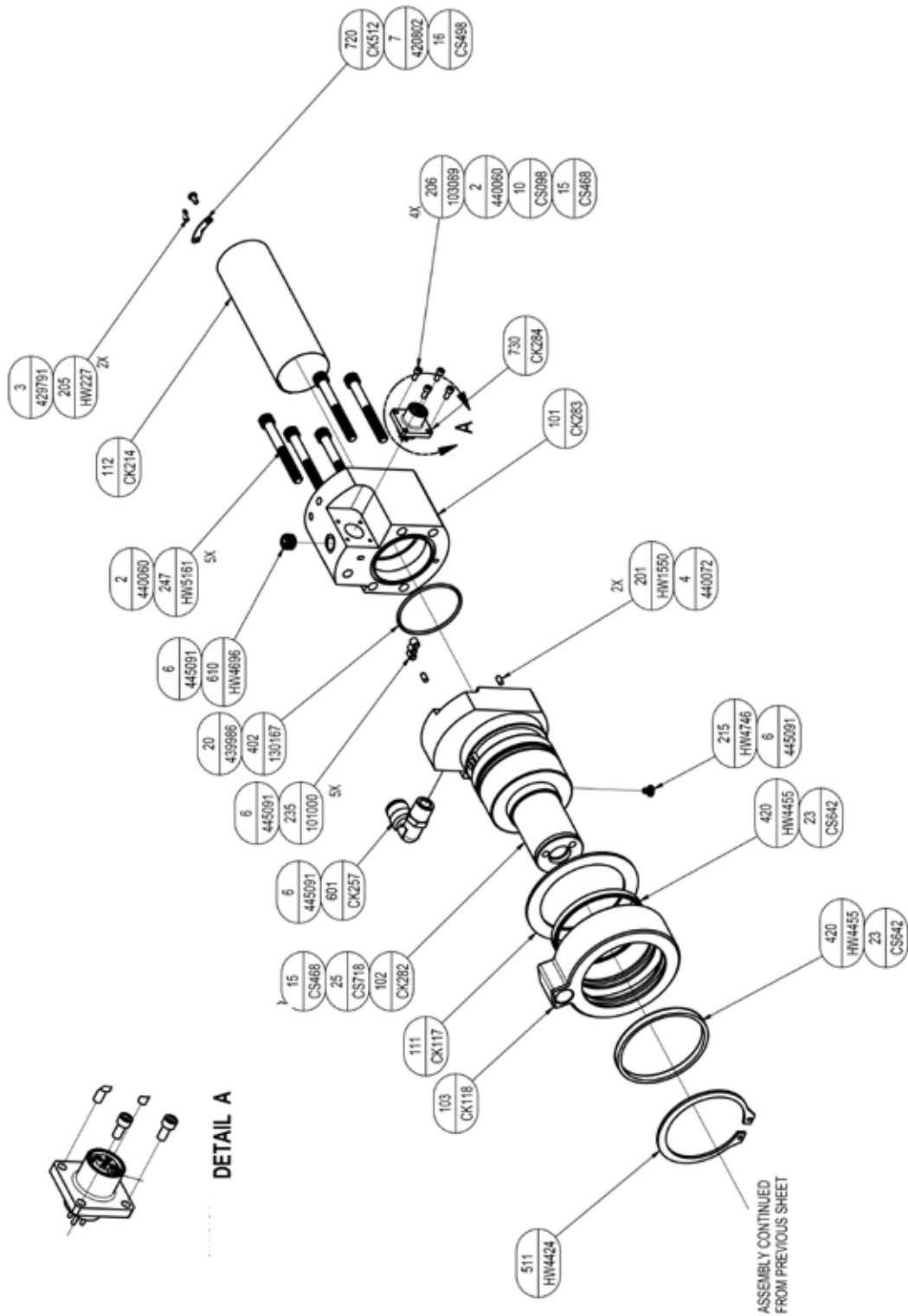


Figure 5c. CUTTER ASSY, CURRAHEE, ROTATE HEAD, CK6 SERIES 2 P/N CK375

<b>CUTTER ASSY, CURRAHEE, ROTATE HEAD, CK6 SERIES 2, See Figure 5 (Rev. A) P/N CK375</b>			
ITEM #	Description	Part Number	Quantity
1	MRO-REMOVABLE LCK,ND 121200-50,BLUE	440061	1
2	MRO-PERMANENT LOCK,ND 140500-50,RED	440060	1
3	MRO-LOCTITE 42540 F/PLASTIC	429791	1
4	MRO-RET.COMP,.005GP,ND530125-10ml, GRN	440072	1
5	MRO-WICKING,ND 150012-10ml,GREEN	440082	1
6	MRO-SEAL.HGH PRESS,ND 440400-10ml,BRN	445091	1
7	MRO-GOOP,AUTOMOTIVE 3.7 OZ TUBE	420802	1
10	MRO-PRIMER-N,ND 611113-56,GREEN	CS098	1
15	MRO-CLEANER,DEGREASER,ELECTRO-WASH	CS468	1
16	MRO-CLEANER,CONTACT,DEOXIT GLD,25ML	CS498	1
20	LUBE,ORING, SUPER O LUBE, 2 OZ TUBE	439986	1
21	MRO-LUBRICANT,RUBBER EMULSION	439786	1
22	MRO-GREASE,SUPERLUBE 41150 -14.1-OZ	CS476	1
23	MRO-MARINE GREASE, LUCAS OIL	CS642	1
25	MRO, GEL, POTTING, SPECTO	CS718	1
26	MRO-TAPE,KAPTON 1"X36 YDS ROLL	442516	1
30	ANTI-SEIZE,BRSH,NICKL GRAF,2 OZ	CS488	1
35	TUBE,SHRINK,1/16"	712593	1
36	TUBE,SHRINK,BLACK 3/32"	712595	1
37	TUBE,SHRINK,BLACK 1/8"	712789	1
38	TUBE,SHRINK,BLACK 3/16"RNF	712577	1
101	MOUNT, HEAD, CONNECTORS, CK6	CK283	1
102	MOUNT, HEAD, ROTATE, CK6	CK282	1
103	SLIP RING, AIR, CK600	CK118	1
104	BODY, HEAD MOUNT, CK6	CK281	1
105	BODY, ROTATE MOTOR MOUNT, CK6	CK289	1
106	GASKET,BODY,CK600	CK080	1
107	AXLE,DRIVEN,CK600	CK092	2
108	SPROCKET, DRIVEN, CK600	CK093	2
109	GEAR, HEAD ROTATE, DRIVE, CK600	CK106	1
110	GEAR, HEAD ROTATE, DRIVEN, CK600	CK107	1
111	WASHER, AIR SLIP RING	CK117	1
112	INSULATOR,MYLAR,4.5 X 6. X .004	CK214	1
201	PIN,DOWEL,1/8 DIA X .25LG,316 SS	HW1550	2
205	SCREW,PAN,4-40X1/4 MACHINE,SST	HW227	4
206	SCREW,CAP,SOC HD 4-40X1/4 SST	103089	4
207	SCREW,CAP,SKT HD,4-40X1/2,SST	105061-CUES	2

<b>CUTTER ASSY, CURRAHEE, ROTATE HEAD, CK6 SERIES 2, See Figure 5 (Rev. A) P/N CK375</b>			
ITEM #	Description	Part Number	Quantity
215	SCREW, SEAL, PAN, 6-32 X 3/16L, SST, PATCH	HW4746	1
216	SCREW,FLAT,SKTCAPHEX,6-32X5/16,SST	HW4689	8
225	SCREW,SET,8-32X3/16,CUP PT,18-8 SST	HW1015	2
235	SCREW,SET,10-32X1/4 SST	101000	3
245	SCREW,CAP,SKT HD,1/4-20X1/2,SST	101001	3
246	SCREW,CAP,SKT HD,1/4-20X3.75,SST	HW5175	4
247	SCREW,CAP,SKT HD,1/4-20X2.25,SST	HW5161	5
255	SCREW,CAP,SKT HD,M3-0.5X12MMLG,SST	HW952	4
401	O-RING,2-014,SILICONE	HW1361	1
402	O-RING,.070 X 1.739 NITRILE	130167	1
403	O-RING,QUAD,#136,VITON	HW5160	1
410	SEAL,OIL,38X48X7MM,AS TYPE,NBR	HW4418	1
420	SEAL,MRTU TYPE,62X67.5X5,URETHANE	HW4455	2
501	BEARING,BALL,SEAL,15X24X5MM,SST	HW4693	1
502	BEARING,BALL,SEAL,35X47X7MM,SST	HW4698	4
503	BEARING,SL,DBLROW,10X30X14.3MM,SST	HW4421	2
510	RING,RET,EXT,.366IDX.04THK,SST	HW4409	2
511	RING,RET,EXT,2.276IDX.079THK,SST	HW4424	1
601	FITTING,ELBOW,1/4NPT,3/8TUBE,NPBR	CK257	1
610	PLUG, 1/8"NPT, SKT HEX, SST	HW4696	1
701	CONN, D-SUB PLUG 15P STR SOLDER	EC3319	1
710	MOTOR,GEARHEAD,592:1,ROTATE	CK201	1
720	PCB, UP/DOWN, PAD, CK6	CK512	1
730	RECEPTACLE, SQ PANEL, MALE 5 POLE	CK284	1
740	SLIP RING, FLANGELESS, 12 CONDUCTOR	EC3406	1
745	WIRE,#22AWG,BLUE,PVC,STRD	EC411	1
746	WIRE,#22AWG,YELLOW,PVC,STRD	EC414	1

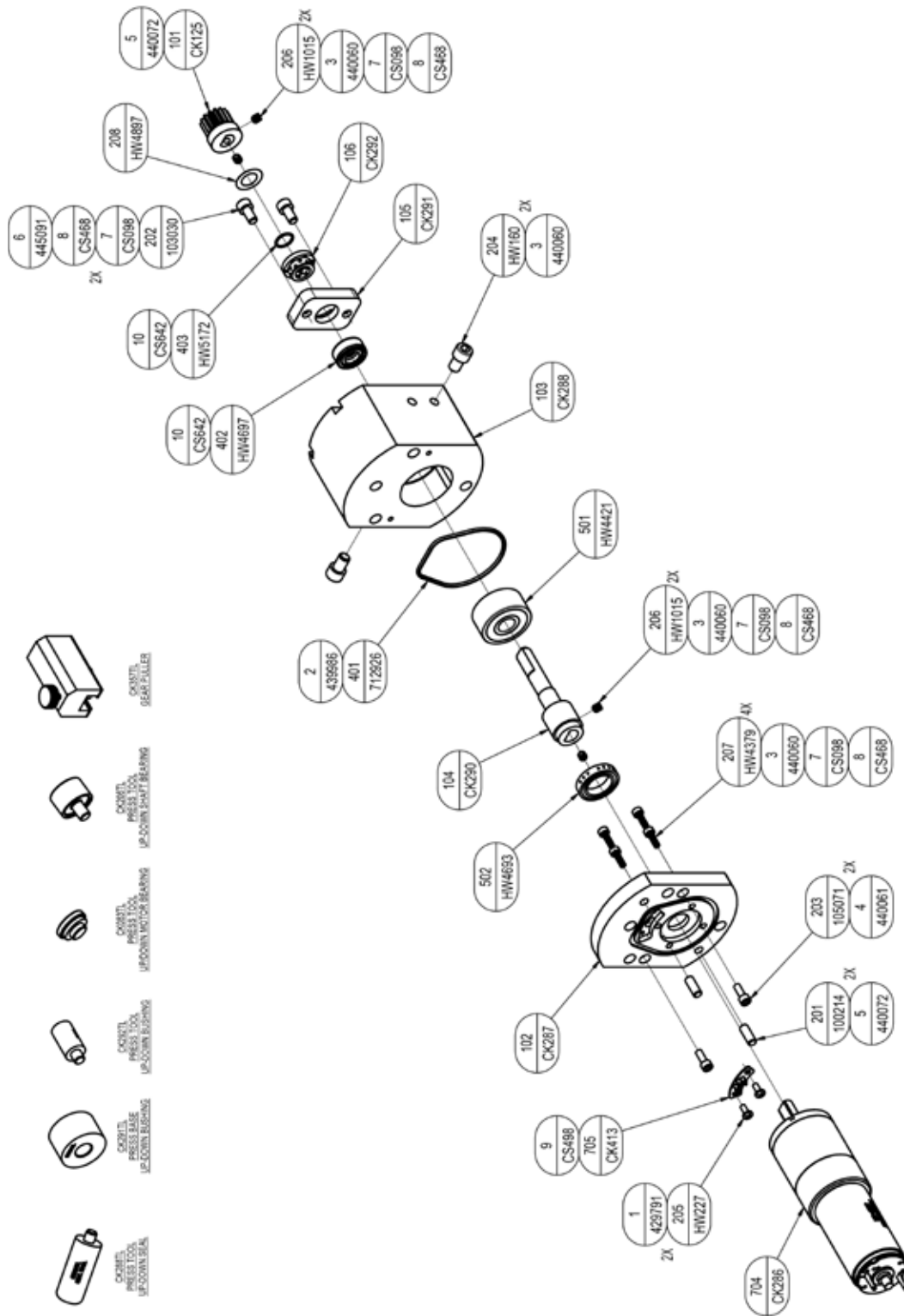


Figure 6. UP DOWN ASSY, CK6, P/N CK376

<b>UP DOWN ASSY, CK6, See Figure 6 (Rev. -) P/N CK376</b>			
ITEM #	Description	Part Number	Quantity
1	MRO-LOCTITE 42540 F/PLASTIC	429791	1
2	LUBE,ORING, SUPER O LUBE, 2 OZ TUBE	439986	1
3	MRO-PERMANENT LOCK,ND 140500-50,RED	440060	1
4	MRO-REMOVABLE LCK,ND 121200-50,BLUE	440061	1
5	MRO-RET.COMP,.005GP,ND530125-10ml, GRN	440072	1
6	MRO-SEAL.HGH PRESS,ND 440400-10ml,BRN	445091	1
7	MRO-PRIMER-N,ND 611113-56,GREEN	CS098	1
8	MRO-CLEANER,DEGREASER,ELECTRO-WASH	CS468	1
9	MRO-CLEANER,CONTACT,DEOXIT GLD,25ML	CS498	1
10	MRO-MARINE GREASE, LUCAS OIL	CS642	1
101	GEAR, HEAD UP/DOWN, DRIVE	CK125	1
102	MOUNT, UP/DOWN MOTOR, CK6	CK287	1
103	MOUNT, CUTTING HEAD, CK6	CK288	1
104	SHAFT, UP/DOWN, CK6	CK290	1
105	MOUNT, BUSHING, UP/DOWN, CK6	CK291	1
106	BUSHING, UP/DOWN, CK6	CK292	1
201	PIN,DOWEL,303 SST .187X.500	100214	2
202	SCREW,CAP,SKT HD,10-32X3/8,SST	103030	2
203	SCREW,CAP,SKT HD,6-32X3/8,SST	105071-CUES	2
204	SCREW,CAP,SKT HD,1/4-20X3/8,SST	HW160	2
205	SCREW,PAN,4-40X1/4 MACHINE,SST	HW227	2
206	SCREW,SET,8-32X3/16,CUP PT,18-8 SST	HW1015	4
207	SCREW, SHCS, M3 X 10MM LG, SST, BLK	HW4379	4
208	WASHER,.376IDX.625ODX.005THK,PTFE	HW4897	1
401	O-RING,2-032 BUNA	712926	1
402	SEAL,OIL,9X18X7MM,AS TYPE,NBR	HW4697	1
403	O-RING, 9 X 11 X 1 MM, BUNA-N	HW5172	1
501	BEARING,SL,DBLROW,10X30X14.3MM,SST	HW4421	1
502	BEARING,BALL,SEAL,15X24X5MM,SST	HW4693	1
701	WIRE,#24 BLACK PVC	161558	1
702	WIRE,#24 RED PVC	161571	1
703	TUBE,SHRINK,BLACK 3/32"	712595	1
704	MOTOR,GEARHEAD, 159:1, UP-DOWN	CK286	1
705	PCB ASSY, UP/DOWN, POGO, CK6	CK413	1



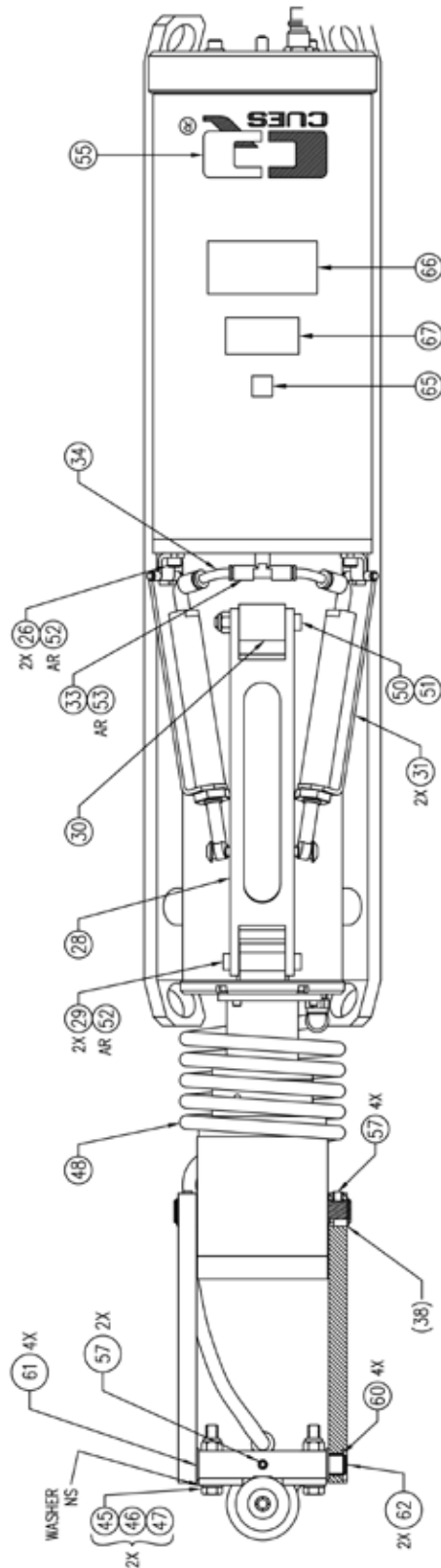


Figure 7a. ASSEMBLY, CUTTER, GIANT KANGAROO, NEW, P/N KC400

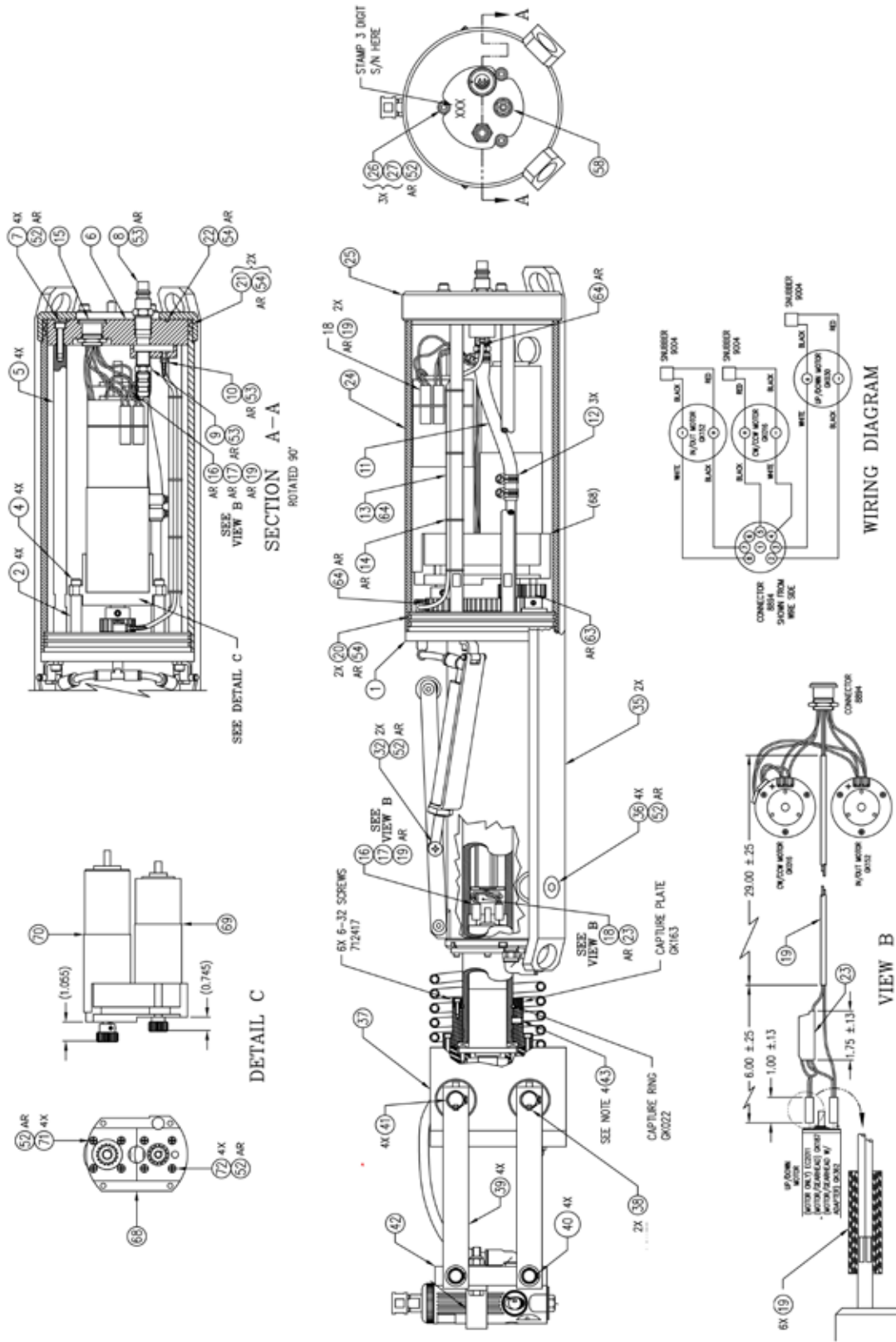


Figure 7b. ASSEMBLY, CUTTER, GIANT KANGAROO, NEW, P/N KC400

<b>ASSEMBLY, CUTTER, GIANT KANGAROO, NEW, See Figure 7 (Rev. L2) P/N GK400</b>			
ITEM #	Description	Part Number	Quantity
1	HOUSING ASSY,LINEAR DRIVE	GK110	1
2	STANDOFF,MOTOR MOUNT	GK048	4
4	SCREW,CAP,SKT HD,1/4-20X3/4,SST	101022	4
5	STANDOFF,HOUSING MOUNT	GK049	4
6	PLATE,END,MANIFOLD	GK045	1
7	SCREW,CAP,SKT HD,1/4-20X1,SST	101065	4
8	FITTING,BRASS,AIR,3/8"NPT	220492	1
9	PUSHLOCK,BRASS 3/8HX1/4MPT	114322	1
10	FITTING,BARBED	8824	1
11	HOSE,RUBBER,3/8ID,250 LB	010030	1
12	CLAMP,WORM SCR,SST,#6 .312WIDE 5/8	120602	3
13	TUBING,BLACK FLEXIBLE	8804	1
14	MRO-TIE,CABLE,7",CLEAR	440309	1
15	RECEPTACLE,8-PIN,ELECTRIC CONNECTOR	8894	1
16	WIRE,#20 BLACK STRANDED 600V	713317	3
17	WIRE,#20 WHITE TEFLON 19 STRANDED	161646	3
18	SNUBBER,ASSY,F/CUTTER	9004	3
19	TUBE,SHRINK,BLACK 3/16"RNF	712577	1
20	O-RING,2-254 BUNA	HW799	2
21	O-RING,2-255 BUNA	HW800	2
22	O-RING,2-154 BUNA	HW801	1
23	TUBE,SHRINK,BLACK 3/8"RNF	712586	1
24	REAR TUBE,GIANT CUTTER	GK042	1
25	PLATE,END,CAP	GK044	1
26	SCREW,CAP,SKT HD,1/4-20X5/8,SST	101024	5
27	WASHER,FLAT,1/4 SAE F/W 18-8	101736	7
28	LEVEL,BRAKE	GK050	1
29	SCREW,SHLDR,(.313)	8807	2
30	PAD,BRAKE	GK066	1
31	AIR CYLINDER/HINGE ASSY	GK058	2
32	SCREW,TRUSS,1/4-20X3/4 PHIL SST	712449	2
33	FITTING,TEE,QUICK DISCONNECT,5/32	HW791	1
34	TUBING,PLASTIC BLACK 5/32"	220683	1
35	SKID,GIANT KANGAROO	GK057	2
36	SCREW,FLAT,SKT HD,7/16-20X.75 SST	HW763	4
37	CUTTER HEAD ASSY,GCUTTER,NEW	GK414	1
38	KEY,3/16 SQR X .350 LG	GK177	2
39	ARM,ELEVATOR,GK,NEW	GK173	4
40	RING,RETAINING EXTERNAL 1/2"	097501	4

<b>ASSEMBLY, CUTTER, GIANT KANGAROO, NEW, See Figure 7 (Rev. L2) P/N GK400</b>			
ITEM #	Description	Part Number	Quantity
41	RING,RETAINING,EXTERNAL,5/8"	097510	4
42	PLATE,MOUNT,OLD AIR MOTOR,GK	GK172	1
43	SCREW,SET,1/4-20X3/8 NYLOCK	101050	3
45	BOLT,HEX,5/16-18X1 3/4 GR5	101108	2
46	WASHER,FLAT,5/16 SST	101741	2
47	NUT,LOCK NYLON INSERT 5/16-18PLATED	101143	2
48	HOSE,COILED	8931	5.84
50	SCREW,SHLDR,SKT HD,5/16X1 1/2 LG	100508	1
51	NUT,LOCK W/NYL INS 1/4-20 SST	HW030	3
52	MRO-REMOVABLE LCK,ND 121200-2,BLUE	CS036	1
53	MRO-SEAL.HGH PRESS,ND 440400-10ml,BRN	445091	1
54	LUBE,ORING, SUPER O LUBE, 2 OZ TUBE	439986	1
55	LABEL,CUES,2X4"	962036	1
56	MRO-PERMANENT LOCK,ND 140500-50,RED	440060	1
57	SCREW, SET, 1/4-20X1/4, SST	100998	4
58	VALVE,PURGE,P&T	CP063	1
60	BEARING,DU,1/2X3/8,#08DU06	HW439	4
61	BEARING,THRUST,DU,1/2ID,#G06DU	HW440	4
62	SHAFT,MOUNT PLATE,GK,NEW	GK171	2
63	MRO-GREASE,HEAVY DUTY REDMAN	440030	1
64	MRO-ADHES.INSTANT,ND 310035-28,CLR	440094	1
65	LABEL,LASERTAB MARKER, .560 X .560	CS222	1
66	LABEL,THERMAL XFR,3.00"W X 2.00"H	CS223	1
67	LABEL,ETL MARK,2" X 1"	CS224	1
68	MOUNT,MOTOR,GK	GK047	1
69	MOTOR ASSY,IN/OUT,GK, 6-30-04&NEWER	GK402	1
70	MOTOR ASSY,ROTATIONAL,GK,NEW	GK403	1
71	SCREW,METRIC,FLAT,PHIL,M5X20MM,SS	HW944	4
72	SCREW,METRIC,FLAT,PHIL,M5X25MM,SS	HW943	4
73	CLAMP,AIR MOTOR,F/KC089 AND KC099	8994	1
74	AIR MOTOR ASSY,.9HP,KANGAROO CUT,6"	KC099	1
75	SLIDE,DOVETAIL,GK400 F/KC099 + 8994	GK205	1
76	SCREW,CAP,SKT HD,8-32X1.00,SST	103068	2
77	WASHER,FLAT,#8 SST(RED OD .304)	100177	4
78	NUT,LOCK NYLON INS,SST,8-32	112532	2
79	SCREW,SHCS,1/4-20X1 7/8 SST	100449	2
80	CONNECTOR,90°,3/8 TUBE,PUSH LOCK	HW1081	1
81	PAD,COMPRESSION,.9HP AIR MTR .047"T	KC091	1

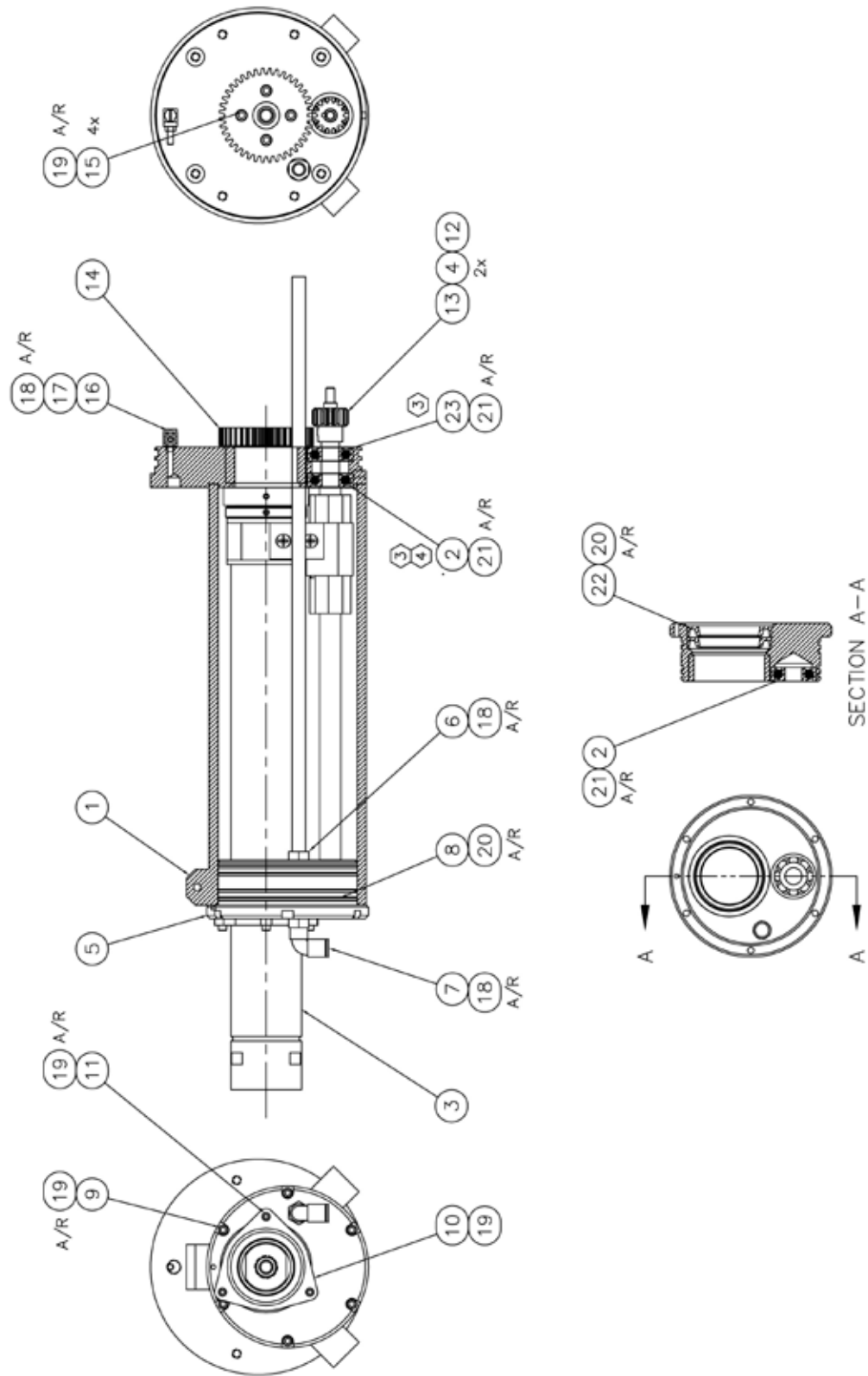


Figure 8. HOUSING ASSEMBLY, LINEAR DRIVE, GK110



<b>HOUSING ASSEMBLY, LINEAR DRIVE (SEE FIG. 8) REV. F, P/N GK110</b>			
ITEM #	DESCRIPTION	P/N	QTY
1	HOUSING,LINEAR,GK	GK041	1
2	BEARING,ANGLR CNTCT,12MM IDX32MM OD	HW1274	2
3	LINEAR DRIVE ASSY,GIANT CUTTER	GK109	1
4	KEYSTOCK,3/32X.5 LONG	8872	1
5	FRONT PLATE,LINEAR HOUSING	GK043	1
6	AIR TUBE ASSY	GK122	1
7	FITTING,SWIVEL,MALE,90DEG.1/4NPT	HW430	1
8	O-RING,2-044 BUNA	HW802	4
9	SCREW,CAP,SKT HD,8-32X1/2,W/NYLO,SS	101620	6
10	PLATE,RETAINING,FRONT SEAL	GK046	1
11	SCREW,CAP,SKT HD,6-32X3/8,W/NYLO,SS	101621	3
12	SCREW,SET,10-32X1/8 SST	101027	2
13	GEAR,IN/OUT,MODIFIED,GK	GK149	1
14	GEAR,DRIVEN,ROTATIONAL,GK,NEW	GK155	1
15	SCREW,CAP,SKT HD,10-32X3/4,SST	100121	4
16	FITTING,SWIVEL	8823	1
17	FITTING,BARBED	8824	1
18	MRO-SEAL.HGH PRESS,ND 440400-50,BRN	445091	1
19	MRO-REMOVABLE LCK,ND 121200-50,BLUE	440061	1
20	MRO-LUBRICANT,O-RING 2 OZ TUBE	439986	1
21	MRO-SUPERLUBE,3 OZ	HW039	1
22	SEAL,OIL	GK121	2
23	BEARING,BALL,12MMX32MMX10MM THK,OPN	HW1275	1

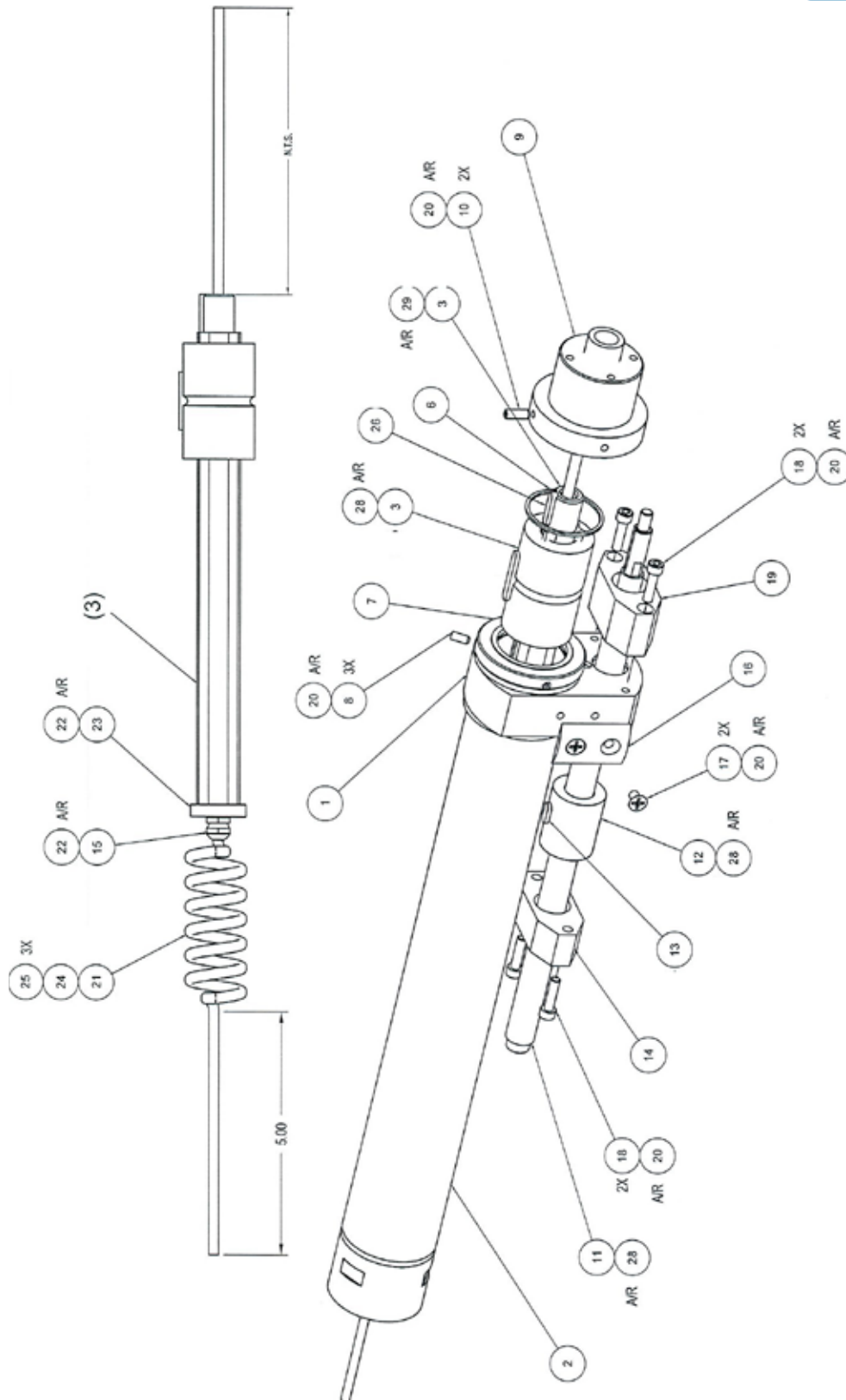


Figure 9. ASSEMBLY, LINEAR DRIVE, GK109

<b>ASSEMBLY, LINEAR DRIVE (SEE FIG. 9) REV. K1, P/N GK109</b>			
ITEM #	Description	Part Number	Quantity
1	CARRIAGE,ASSY,CUTTER	GK111	1
2	SHAFT,LINEAR ROTATIONAL	GK019	1
3	SHAFT ASSY,NUT,KEY LINEAR,DRIVE,KEY	GK190	1
6	RING,RETAINING,N5000-145	HW789	1
7	COLLAR,LINEAR DRIVE	GK054	1
8	SCREW,SET,8-32X3/8 SST,CUP POINT	HW198	3
9	MOUNT,GEAR,DRIVEN,ROTATE,KEY	GK191	1
10	SCREW,SET,10-32X1/2 SST	103042	2
11	LEADSCREW,MODIFIED,GK	GK154	1
12	NUT,BALL SCREW,16X5	HW787	1
13	KEY,NUT,BALL SCREW	GK131	1
14	PLATE,RETAINING,BALL SCREW NUT	GK132	1
15	STRAIN RELIEF,LIQUID TIGHT,10MM	HW1349	1
16	PLATE,GUIDE	GK067	1
17	SCREW,FLATHEAD,10-32X5/16 PHIL SST	101426	2
18	SCREW,CAP,SKT HD,10-32X3/4,SST	100121	4
19	STOP,REAR,CARRIAGE,GK,NEW	GK157	1
20	MRO-REMOVABLE LCK,ND 121200-2,BLUE	CS036	1
21	WIRE,#20 BLACK STRANDED 600V	713317	1
22	MRO-PERMANENT LOCK,ND 140500-50,RED	440060	1
23	STOP WASHER,BALL SPLINE,GK,NEW	GK156	1
24	WIRE,#20 WHITE BU	713326	1
25	TUBE,SHRINK,BLACK 3/16"RNF	712577	3
26	KEY,6MMX6MMX20MM ROUND END 316 SST	HW2915	1
28	MRO-GREASE,SUPERLUBE 41150 -14.1-OZ	CS476	1
29	MRO-RET.COMP,.015GP,ND541200-10ml, GRN	CS092	1

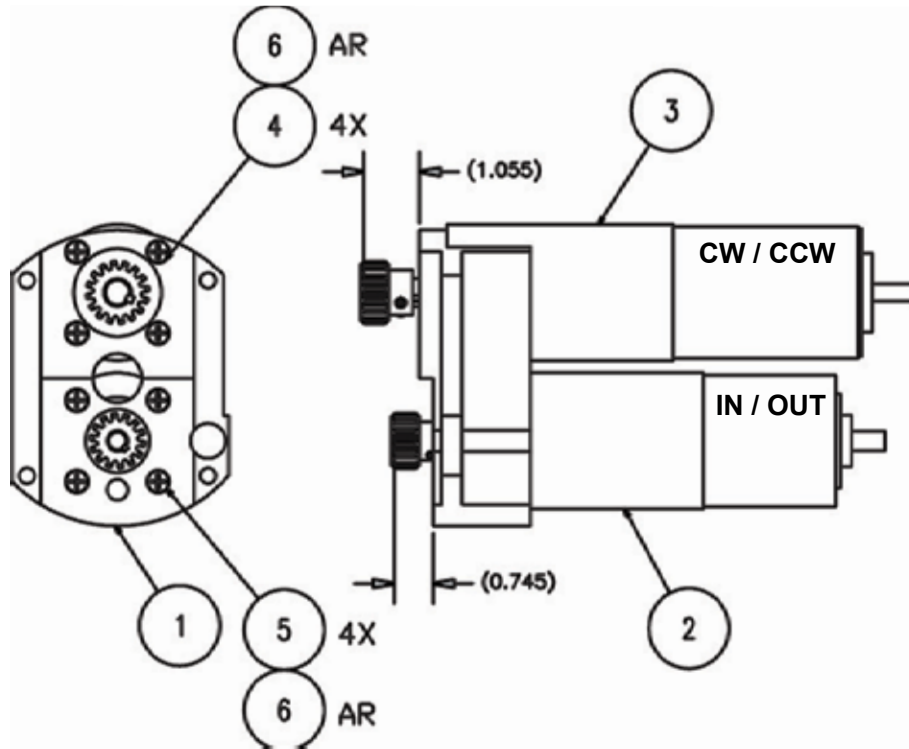
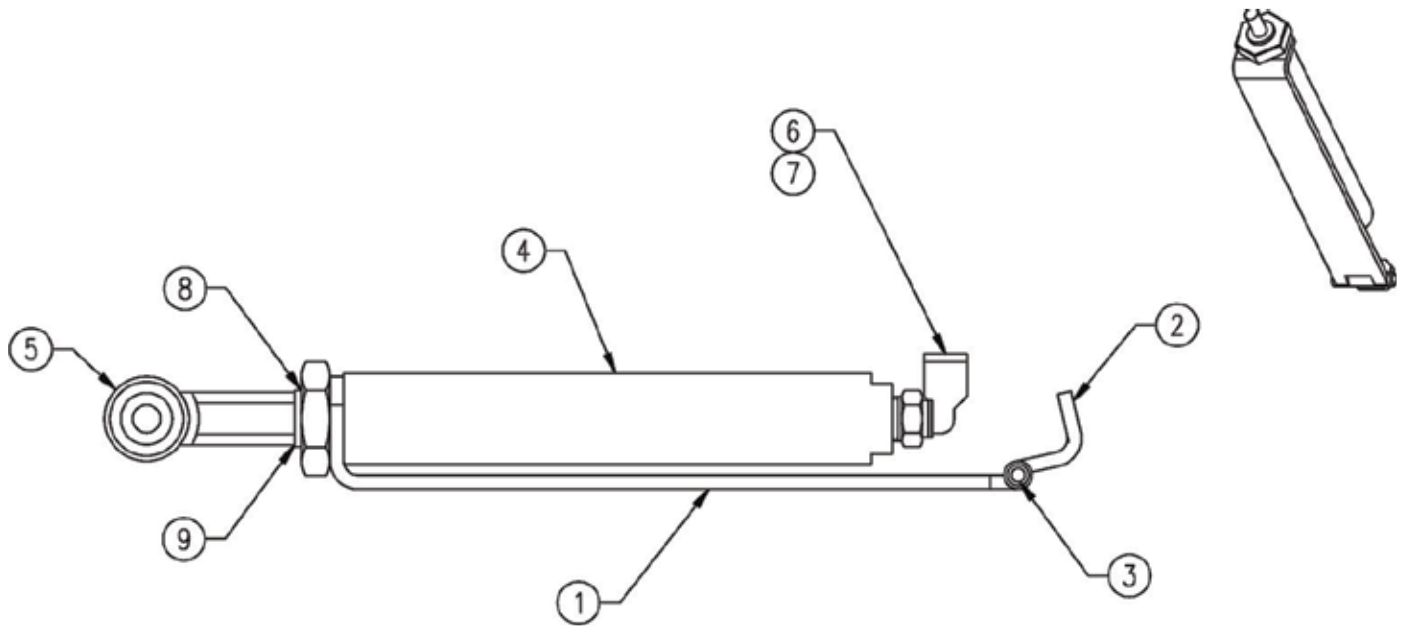


Figure 10. MOTOR MOUNT ASSEMBLY, GK401

<b>MOTOR MOUNT ASSY, GIANT CUTTER (SEE FIG. 10) REV. A, GK401</b>			
ITEM #	DESCRIPTION	P/N	QTY
-1	MOUNT, MOTOR, GK	GK047	1
-2	MOTOR ASSY, IN/OUT, GK, NEW	GK402	1
-3	MOTOR ASSY, ROTATIONAL, GK, NEW	GK403	1
-4	SCREW, METRIC, FLAT, PHIL, M5X20MM, SS	HW944	4
-5	SCREW, METRIC, FLAT, PHIL, M5X25MM,SS	HW943	4
-6	MRO-PERMA MM-115-035 THREADLOCK BL	440061	1
EL312 - L & R + IN & OUT MOTOR			
* EL312 IS THE REPLACEMENT "MOTOR ONLY" FOR THE GK402 AND GK403 ASSEMBLIES			



**FIGURE 11. AIR CYLINDER/HINGE ASSEMBLY, GK058**

<b>AIR CYLINDER/HINGE ASSEMBLY (SEE FIG. 11) REV. A, GK058</b>			
ITEM #	DESCRIPTION	P/N	QTY
-1	· HINGE BAR, AIR CYLINDER, BRAKE	GK053	2
-2	· HINGE PLATE, AIR CYLINDER, BRAKE	GK052	2
-3	· PIN, SPRING, 1/8 X 1 CARBON STEEL	097548	2
-4	· AIR CYLINDER, G.CUTTER	GK117	2
-5	· BALL JOINT, AIR CYLINDER	GK118	2
-6	· ELBOW, 90 DEGREE, QUICK DISCONNECT	HW806	2
-7	· MRO-LOCTITE 545 HYDRAULIC	445091	2
-8	· MRO-LOCTITE 242 MED BLUE MM-115-042	440061	2

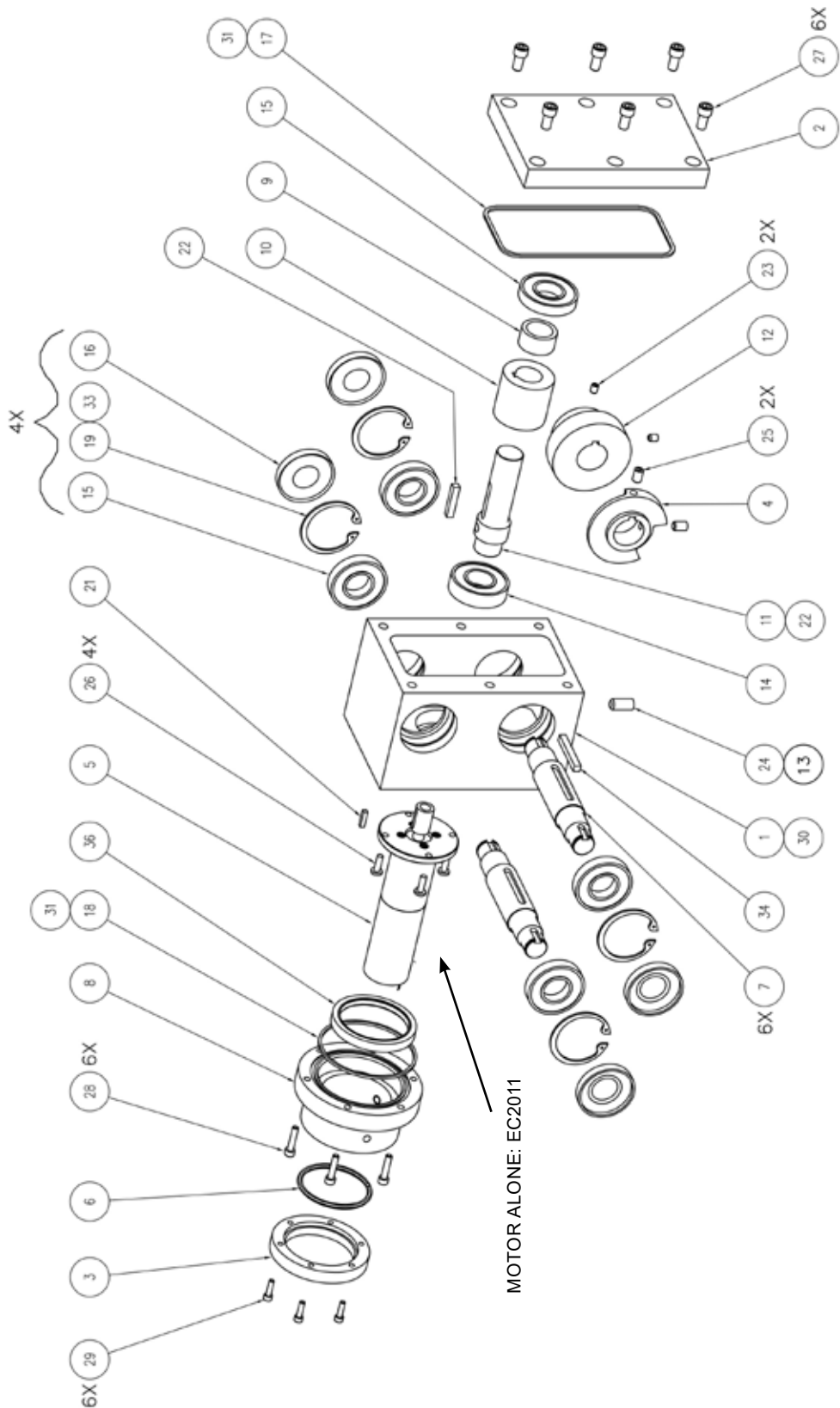
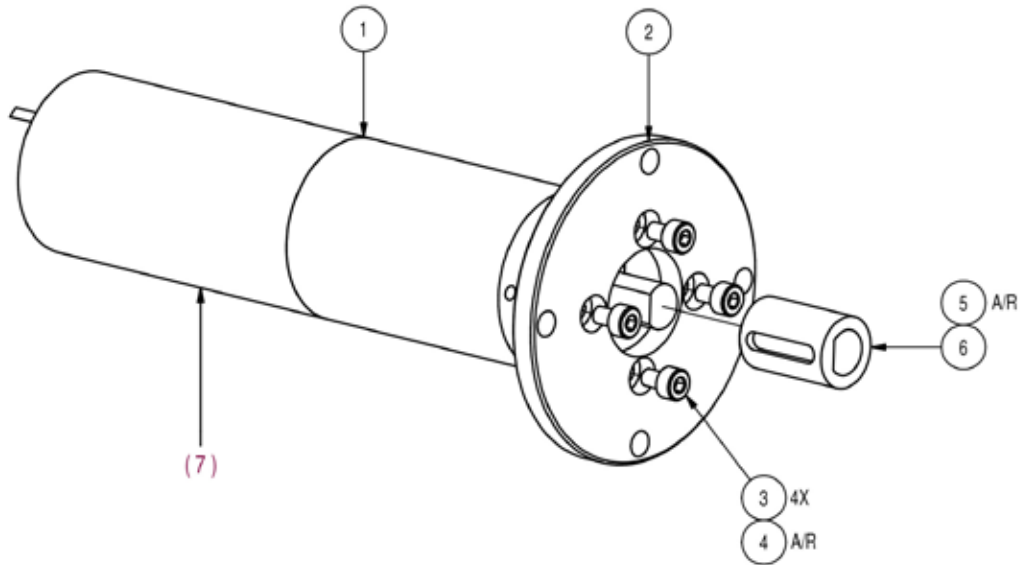


FIGURE 12. CUTTER HEAD ASSEMBLY, GIANT CUTTER, GK414

<b>CUTTER HEAD ASSY, GIANT CUTTER (SEE FIG. 12) REV. K, GK414</b>			
ITEM #	Description	Part Number	Quantity
1	HOUSING,CUTTER,HEAD,GK,NEW	GK161	1
2	COVER,PLATE,HOUSING,GK,NEW	GK164	1
3	PLATE,CAPTURE,GK,NEW	GK163	1
4	STOP,ROTATION,GK,NEW	GK167	1
5	MOTOR ASSY,UP/DN,913:1,GK,MAXON	GK362	1
6	RETAINING RING,CUTTER HEAD	GK022	1
7	SHAFT,LIFT,GK	GK165	2
8	NECK,HOUSING,GEAR,GK,NEW	GK169	1
9	SPACER,WORM,GK	GK166	1
10	WORM,QUAD,10DP	HW433	1
11	SHAFT,DRIVE,WORM,GK,NEW	GK168	1
12	GEAR,WORM,20T,10DB,KEYED	GK178	1
13	MRO-WICKING,ND 150012-10ml,GREEN	440082	1
14	BEARING,BALL,3/4X1-5/8X7/16	HW437	1
15	BEARING,BALL,3/4X1-5/8X5/16	HW442	5
16	SEAL,SINGLE LIP,1-5/8X3/4X1/4	HW441	4
17	O-RING,BUNA,2-046	HW435	1
18	O-RING,EP 2-038	130141	1
19	RING,INTERNAL,N5000-162	HW436	4
20	LUBE,ORING, SUPER O LUBE, 2 OZ TUBE	439986	1
21	KEYSTOCK,1/8"SQ X1/2LG,ZINC PLATED	8874	1
22	KEY,SQUARE,3/16X1"LG	TM658	1
23	SCREW,SET,10-32X1/4 SST	101000	2
24	SCREW,SET,5/16-18X5/8 STEEL	101100	1
25	SCREW,SET,1/4-20X3/8 KNURL PLATED	101052	2
26	SCREW,PAN,8-32X1/2 PHIL SST	712876	4
27	SCREW,CAP,SKT HD,1/4-20X1/2,SST	101001	6
28	SCREW,CAP,SKT HD,#8-32 X 3/4 SST	HW809	6
29	SCREW,CAP,SKT HD,6-32X1/2,SST	712417	6
30	MRO-GREASE,HEAVY DUTY REDMAN	440030	1
31	MRO-GREASE,SUPERLUBE 21060 - 3 OZ	HW039	1
32	MRO-REMOVABLE LCK,ND 121200-2,BLUE	CS036	1
33	MRO-SEAL.HGH PRESS,ND 440400-10ml,BRN	445091	1
34	KEY,3/16 SQR X 1.50LG	GK176	1
36	SEAL,OIL	GK121	1



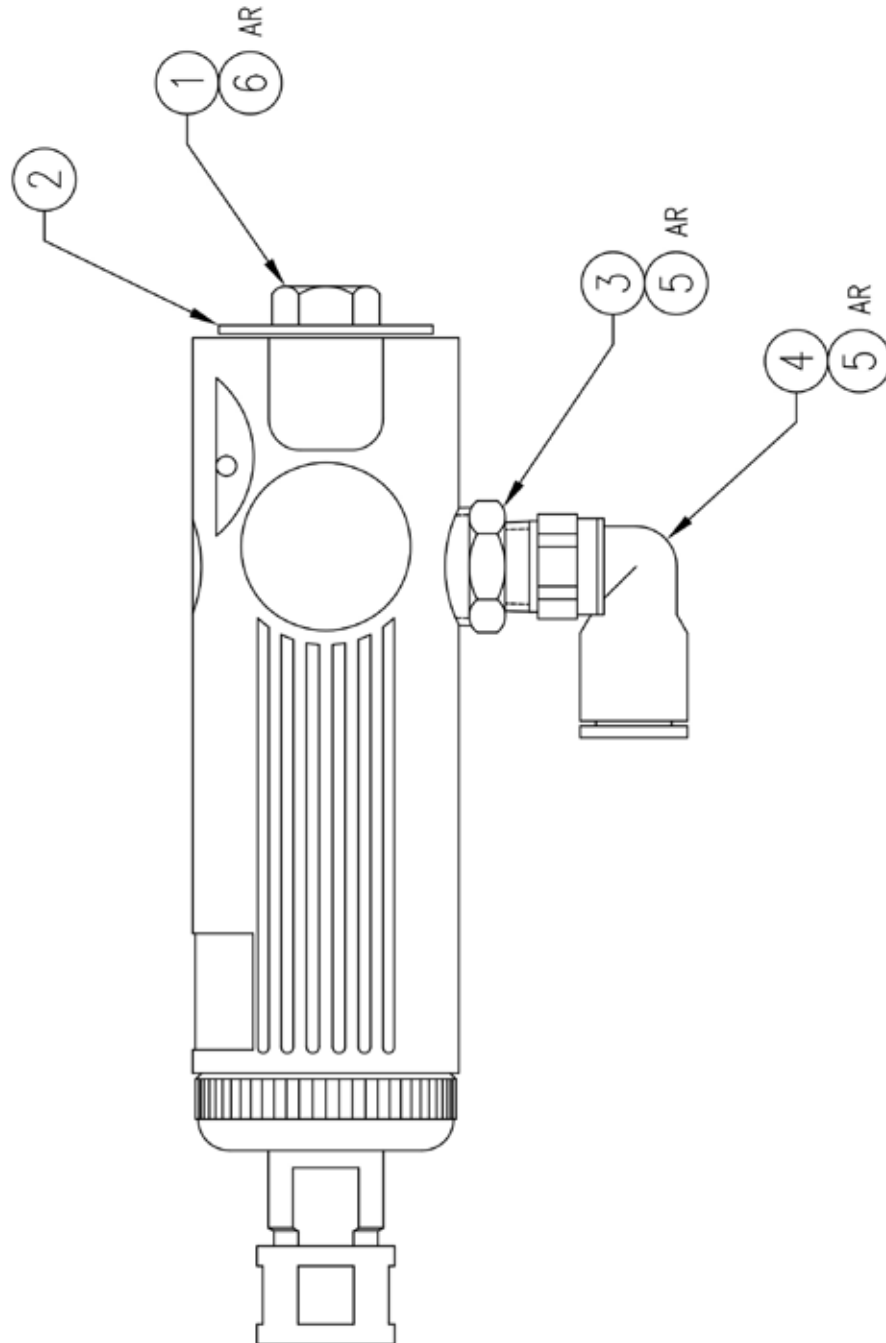


**FIGURE 13. MOTOR ASSY,UP/DN,913:1,GK,MAXON, GK362**

<b>MOTOR ASSY,UP/DN,913:1,GK,MAXON (See Fig. 13) Rev. B, GK362</b>			
Item #	Description	P/N	Qty
0001	GEARMOTOR,913:1,MAXON F/GK362,MOD	GK187-1	1
0002	PLATE,MICROMO TO MAXON Ø8MM MOTOR	GK186	1
0003	SCREW,SHCS,M3 X 5MM LG,SST	HW460	4
0004	MRO-REMOVABLE LCK,ND 121200-50,BLUE	440061	1
0005	MRO-RET.COMP,.015GP,ND541200-50,GRN	CS092	1
0006	ADAPTER,MOTOR SHAFT,GK187/GK362	GK188	1

**NOTE:**

GK187-1 is the replacement motor/gearbox assembly for the GK362 Assembly  
 EC2011 is the replacement motor only



**FIGURE 14A. AIR MOTOR ASSEMBLY, GK101**

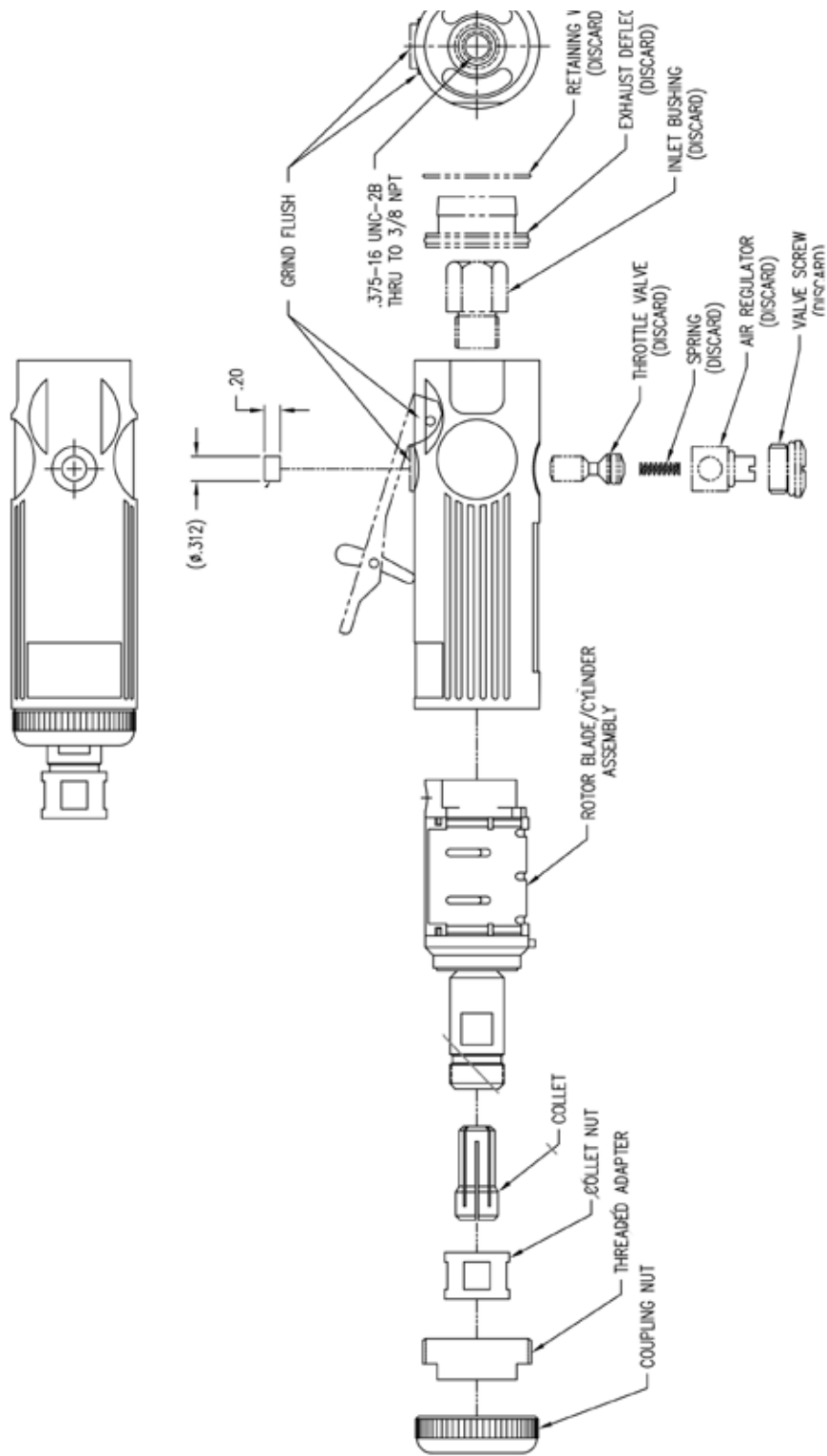


FIGURE 14B. AIR MOTOR ASSEMBLY, GK101

<b>AIR MOTOR ASSEMBLY (SEE FIG. 14) REV. C, GK101</b>			
ITEM #	Description	P/N	Quantity
1	HOUSING,CUTTER,HEAD,GK,NEW	GK161	1
2	COVER,PLATE,HOUSING,GK,NEW	GK164	1
3	PLATE,CAPTURE,GK,NEW	GK163	1
4	STOP,ROTATION,GK,NEW	GK167	1
5	MOTOR ASSY,UP/DN,913:1,GK,MAXON	GK362	1
6	RETAINING RING,CUTTER HEAD	GK022	1
7	SHAFT,LIFT,GK	GK165	2
8	NECK,HOUSING,GEAR,GK,NEW	GK169	1
9	SPACER,WORM,GK	GK166	1
10	WORM,QUAD,10DP	HW433	1
11	SHAFT,DRIVE,WORM,GK,NEW	GK168	1
12	GEAR,WORM,20T,10DB,KEYED	GK178	1
13	MRO-WICKING,ND 150012-10ml,GREEN	440082	1
14	BEARING,BALL,3/4X1-5/8X7/16	HW437	1
15	BEARING,BALL,3/4X1-5/8X5/16	HW442	5
16	SEAL,SINGLE LIP,1-5/8X3/4X1/4	HW441	4
17	O-RING,BUNA,2-046	HW435	1
18	O-RING,EP 2-038	130141	1
19	RING,INTERNAL,N5000-162	HW436	4
20	LUBE,ORING, SUPER O LUBE, 2 OZ TUBE	439986	1
21	KEYSTOCK,1/8"SQ X1/2LG,ZINC PLATED	8874	1
22	KEY,SQUARE,3/16X1"LG	TM658	1
23	SCREW,SET,10-32X1/4 SST	101000	2
24	SCREW,SET,5/16-18X5/8 STEEL	101100	1
25	SCREW,SET,1/4-20X3/8 KNURL PLATED	101052	2
26	SCREW,PAN,8-32X1/2 PHIL SST	712876	4
27	SCREW,CAP,SKT HD,1/4-20X1/2,SST	101001	6
28	SCREW,CAP,SKT HD,#8-32 X 3/4 SST	HW809	6
29	SCREW,CAP,SKT HD,6-32X1/2,SST	712417	6
30	MRO-GREASE,HEAVY DUTY REDMAN	440030	1
31	MRO-GREASE,SUPERLUBE 21060 - 3 OZ	HW039	1
32	MRO-REMOVABLE LCK,ND 121200-2,BLUE	CS036	1
33	MRO-SEAL.HGH PRESS,ND 440400-10ml,BRN	445091	1
34	KEY,3/16 SQR X 1.50LG	GK176	1
36	SEAL,OIL	GK121	1

PART NO.	DESCRIPTION	CONFIG.
9001LP	KANGAROO CUTTER ASSY, LOW PROFILE	BASIC
9001LP-1	KANGAROO CUTTER ASSY, LOW PROFILE, W/BOWMAN CONTROLLER OBSOLETE	-1
9001LP-2	KANGAROO CUTTER ASSY, LOW PROFILE, W/BOWMAN AIR MOTOR OBSOLETE	-2
9001LP-3	KANGAROO CUTTER ASSY, LOW PROFILE, W/BOWMAN AIR MOTOR AND CONTROLLER OBSOLETE	-3
9001LP-4	KANGAROO CUTTER ASSY, LOW PROFILE W/O AIR BRAKE	-4
9001LP-5	CUTTER ASSY, LOW PROFILE W/O AIR MOTOR	-5
9001LP-6	CUTTER ASSY, LOW PROFILE W/O MOTOR	-6

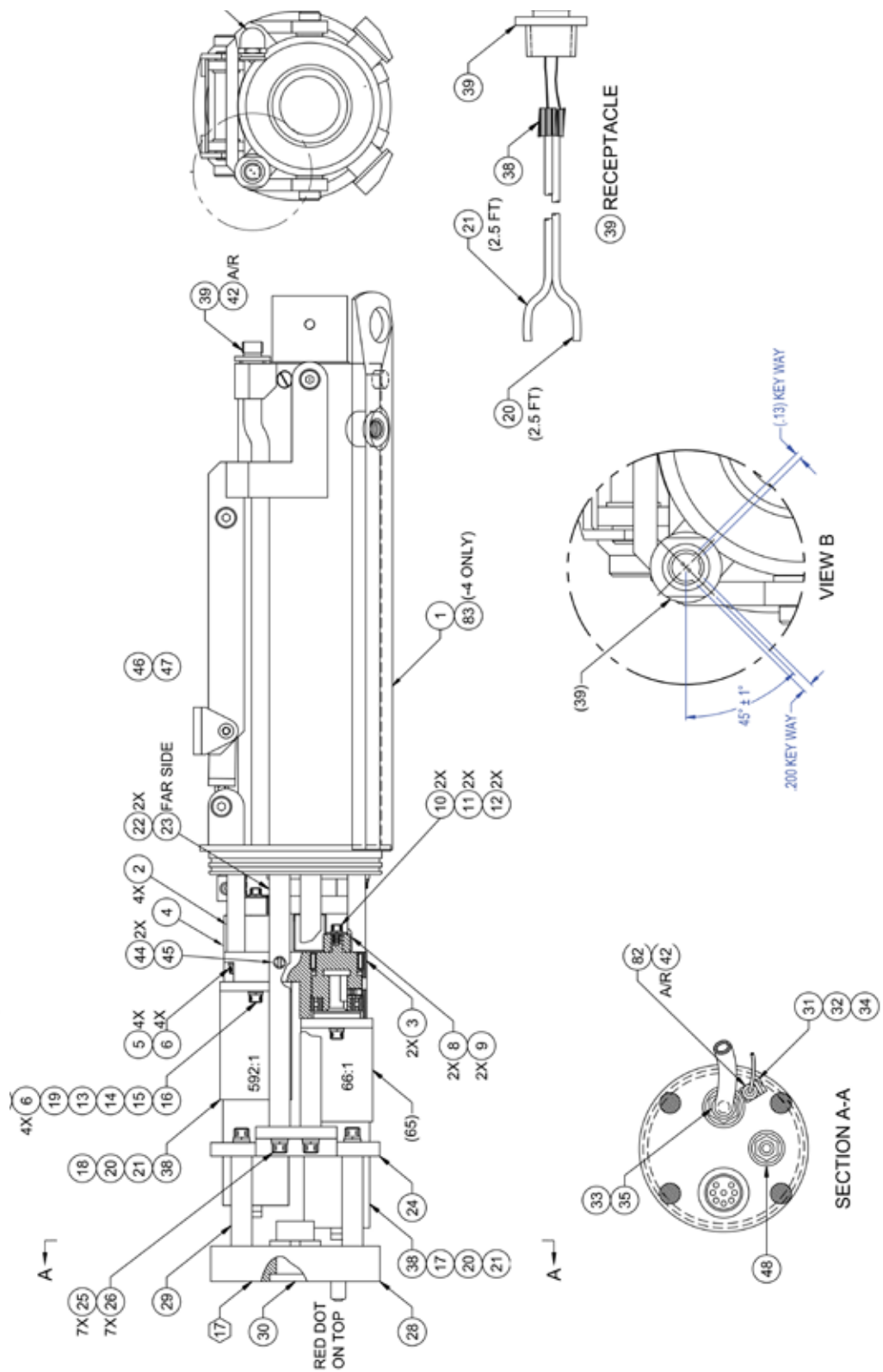


FIGURE 15A. KANGAROO CUTTER ASSEMBLY, 9001LP

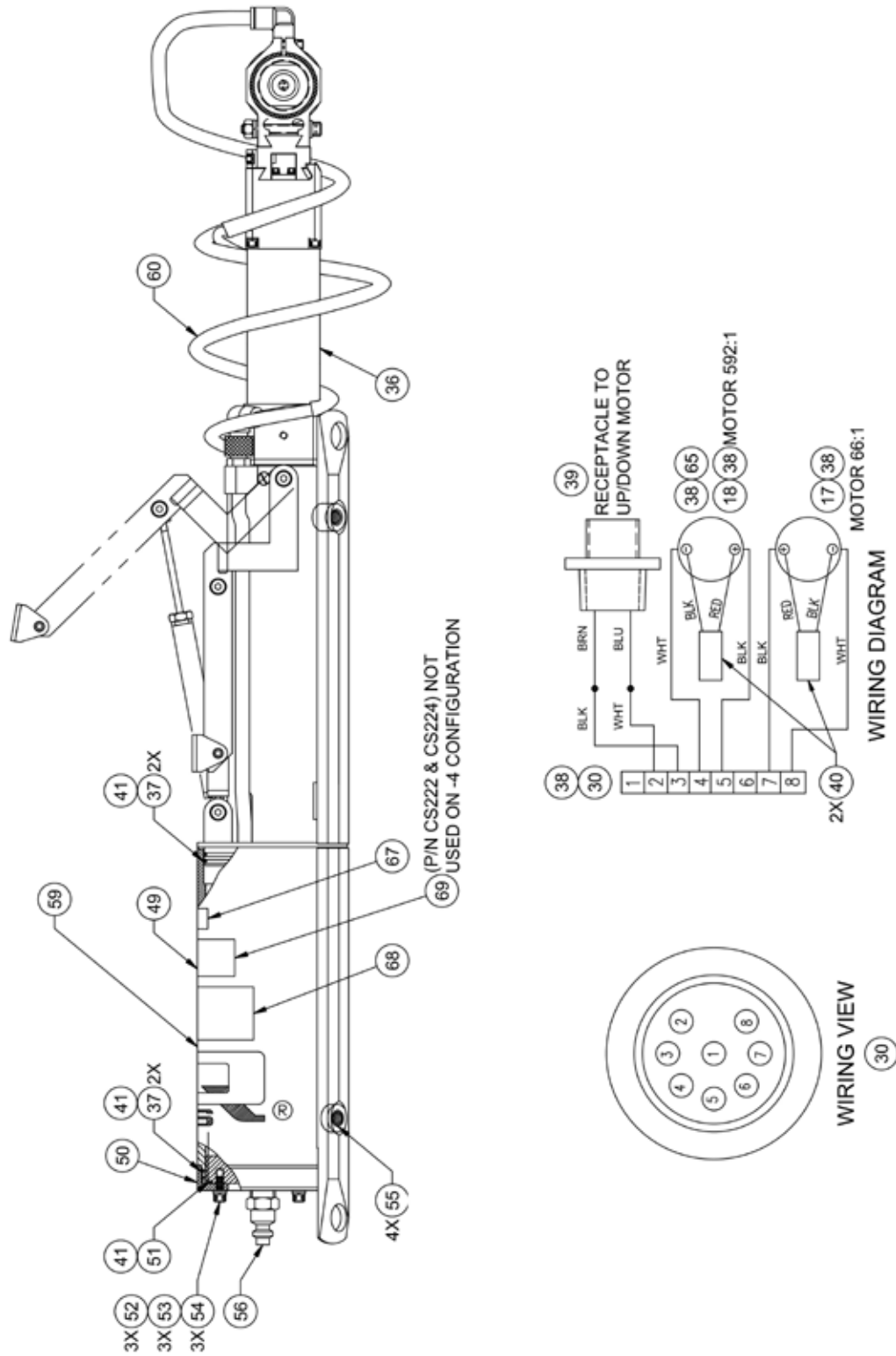
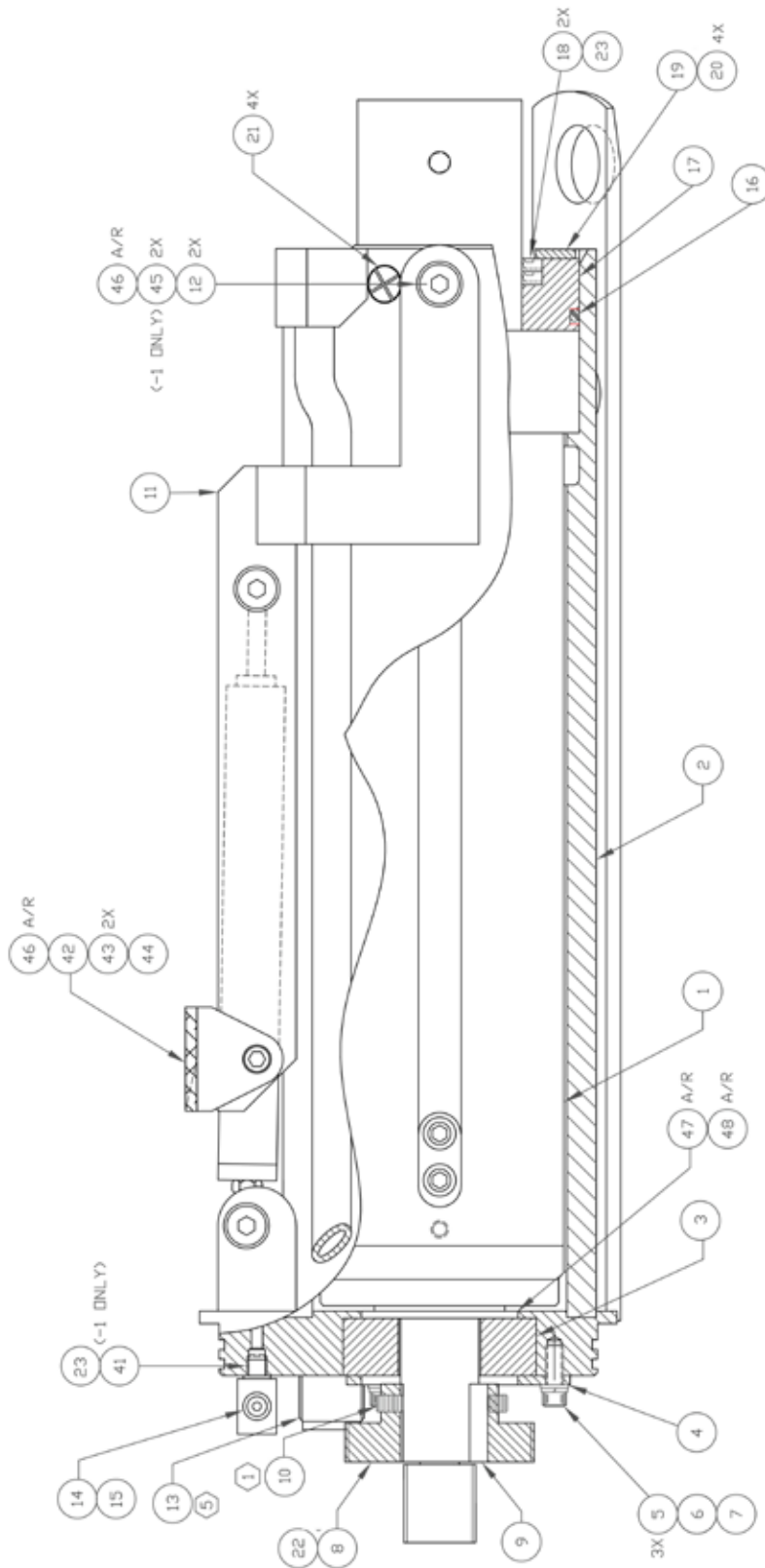


FIGURE 15B. KANGAROO CUTTER ASSEMBLY, 9001LP

<b>KANGAROO CUTTER ASSEMBLY (SEE FIG. 15) REV. AC.1, 9001LP</b>			
ITEM #	Description	Part Number	Quantity
1	HOUSING,CUTTER,HEAD,GK,NEW	GK161	1
2	COVER,PLATE,HOUSING,GK,NEW	GK164	1
3	PLATE,CAPTURE,GK,NEW	GK163	1
4	STOP,ROTATION,GK,NEW	GK167	1
5	MOTOR ASSY,UP/DN,913:1,GK,MAXON	GK362	1
6	RETAINING RING,CUTTER HEAD	GK022	1
7	SHAFT,LIFT,GK	GK165	2
8	NECK,HOUSING,GEAR,GK,NEW	GK169	1
9	SPACER,WORM,GK	GK166	1
10	WORM,QUAD,10DP	HW433	1
11	SHAFT,DRIVE,WORM,GK,NEW	GK168	1
12	GEAR,WORM,20T,10DB,KEYED	GK178	1
13	MRO-WICKING,ND 150012-10ml,GREEN	440082	1
14	BEARING,BALL,3/4X1-5/8X7/16	HW437	1
15	BEARING,BALL,3/4X1-5/8X5/16	HW442	5
16	SEAL,SINGLE LIP,1-5/8X3/4X1/4	HW441	4
17	O-RING,BUNA,2-046	HW435	1
18	O-RING,EP 2-038	130141	1
19	RING,INTERNAL,N5000-162	HW436	4
20	LUBE,ORING, SUPER O LUBE, 2 OZ TUBE	439986	1
21	KEYSTOCK,1/8"SQ X1/2LG,ZINC PLATED	8874	1
22	KEY,SQUARE,3/16X1"LG	TM658	1
23	SCREW,SET,10-32X1/4 SST	101000	2
24	SCREW,SET,5/16-18X5/8 STEEL	101100	1
25	SCREW,SET,1/4-20X3/8 KNURL PLATED	101052	2
26	SCREW,PAN,8-32X1/2 PHIL SST	712876	4
27	SCREW,CAP,SKT HD,1/4-20X1/2,SST	101001	6
28	SCREW,CAP,SKT HD,#8-32 X 3/4 SST	HW809	6
29	SCREW,CAP,SKT HD,6-32X1/2,SST	712417	6
30	MRO-GREASE,HEAVY DUTY REDMAN	440030	1
31	MRO-GREASE,SUPERLUBE 21060 - 3 OZ	HW039	1
32	MRO-REMOVABLE LCK,ND 121200-2,BLUE	CS036	1
33	MRO-SEAL.HGH PRESS,ND 440400-10ml,BRN	445091	1
34	KEY,3/16 SQR X 1.50LG	GK176	1
36	SEAL,OIL	GK121	1

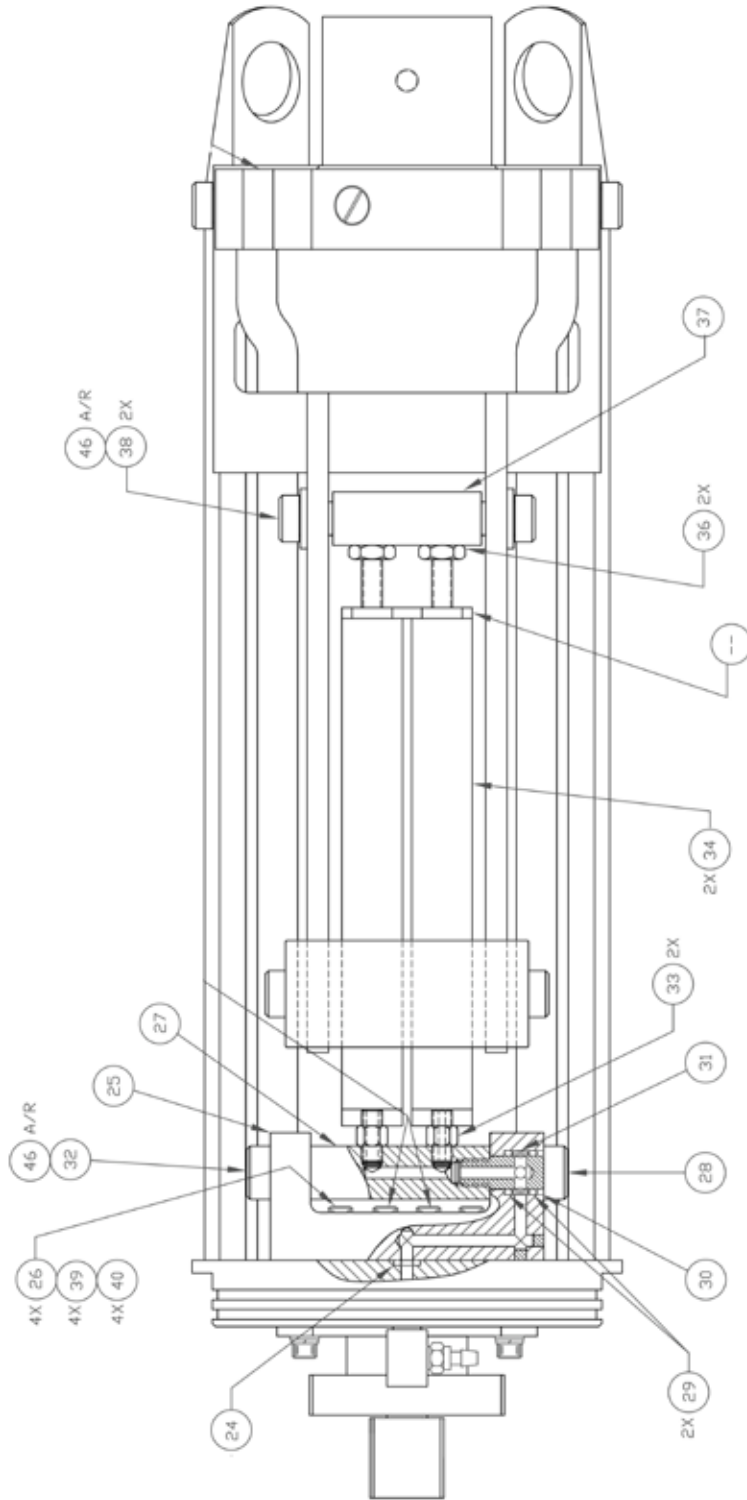




CONFIGURATION LIST

PART NO.	DESCRIPTION	NOTES
KC310	BALLSCREW CYLINDER ASSY, KANGAROO CUTTER	BASIC
KC310-1	BALLSCREW CYL ASSY W/O AIR BRAKE, K. C.	-1

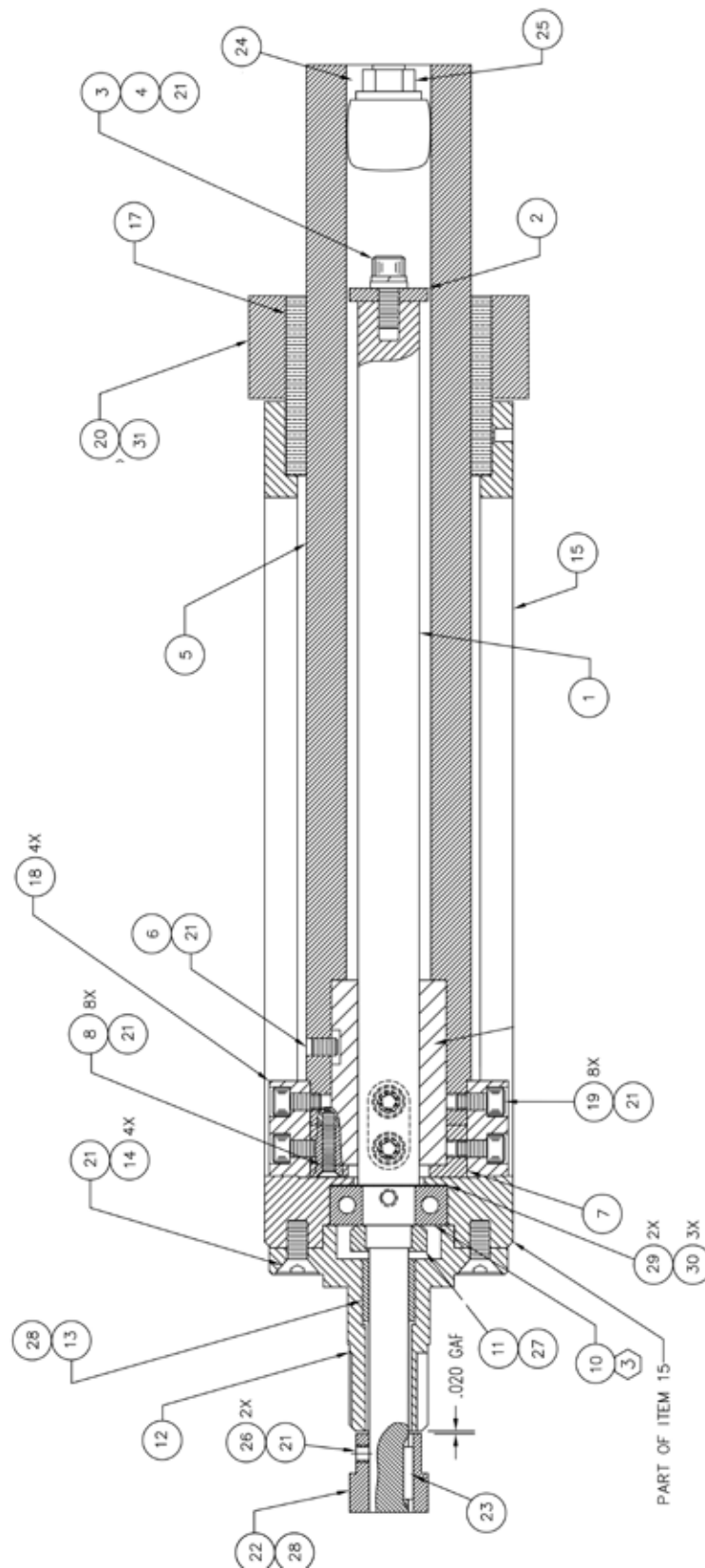
FIGURE 16A. BALLSCREW CYLINDER ASSEMBLY, KC310



**FIGURE 16B. BALLSCREW CYLINDER ASSEMBLY, KC310**

<b>KANGAROO CUTTER BALLSCREW CYLINDER ASSY (SEE FIGURE 16) REV. R, KC310</b>			
ITEM #	Description	Part Number	Quantity
1	CYLINDER SHAFT ASSY	8962	1
2	HOUSING,BALLSCREW	KC076	1
3	FLANGE,ROTATIONAL BEARING	9000	1
4	RETAINER,BEARING	8944	1
5	SCREW,SHCS,8-32X3/8 SST	100448	3
6	WASHER,FLAT,#8 SST(RE D OD .304)	100177	3
7	WASHER,SPLIT LOCK,#8 SST	101738	3
8	GEAR,CW/CCW DRIVEN	8971	1
9	KEYSTOCK,3/16X.625 LONG	8873	1
10	SCREW,SET,8-32X1/4 SST	100147	2
11	LINK ARM ASSEMBLY F/BRAKE ON 9001LP	8775	1
12	SCREW,SHLDR,(.500)	8815	2
13	CONNECTOR,STRAIGHT,3/8TUBE,PUSH LCK	HW1082	1
14	FITTING,SWIVEL W/ BOLT	8823	1
15	FITTING,BARBED	8824	1
16	O-RING,REAR HOUSING,2-144,EP	8933	1
17	RING,IN/OUT SHAFT SEAL	8827	1
18	SEAL,HALLITE WIPER	8932	2
19	RETAINER,IN/OUT SHAFT SEAL	8826	1
20	SCREW,FLAT,4-40X1/4 PHIL,SST	712402	4
21	SCREW,FLAT,8-32X3/8 PHIL SST	100146-CUES	4
22	MRO-RET.COMP,.015GP,ND541200-10ml, GRN	CS092	1
23	MRO-SEAL.HGH PRESS,ND 440400-10ml,BRN	445091	1
24	O-RING,MANIFOLD,2-006,EP	8798	1
25	MANIFOLD,CLAMP	8822	1
26	SCREW,CAP,SKT HD,6-32X1/2,SST	712417	4
27	PIN,PIVOT	8821	1
28	SCREW,MANIFOLD PIVOT	8814	1
29	O-RING,CLAMP PIVOT,2-011,EP	8805	2
30	SEAL,BEARING	8812	1
31	SPACER,O-RING	8813	1
32	SCREW,(.375)SHOULDER	8808	1
33	NIPPLE, AIR CYCLINDER PIPE	KC145	2
34	CYLINDER,AIR	8997	2
36	NUT,JAM,10-32,SST	8799	2
37	CLAMP,PIVOT PIN	8819	1
38	SCREW,SHLDR,(.313)	8807	2

<b>KANGAROO CUTTER BALLSCREW CYLINER ASSY (SEE FIGURE 16) REV. R, KC310</b>			
ITEM #	Description	Part Number	Quantity
39	WASHER,SPLIT #6 SST	100150	4
40	WASHER,FLAT,#6 SST(REOD .267)	100178	4
42	CONTACT,PIVOT	8718	1
43	SCREW,SHLDR,8-32,.1255 SHOULDER	109115	2
44	SAFETY WALK,BLACK MDM GR 6INX60FT	010550	0.001
46	MRO-GREASE,HEAVY DUTY REDMAN	440030	1
47	WASHER,FLAT,RND,.8X1.112X.016,SST	HW2093	2
48	WASHER,FLAT,RND,.8X1.112X.030,SST	HW4025	1



**FIGURE 17. CYLINDER SHAFT ASSEMBLY, P/N 8962**

<b>CYLINDER SHAFT ASSEMBLY (SEE FIGURE 17), Rev. Q, P/N 8962</b>			
ITEM #	Description	Part Number	Quantity
1	BALLSCREW ASSEMBLY	8978	1
2	WASHER,THRUST,BALL SCREW	8947	1
3	WASHER,SPLIT LOCK,#10 SST	101739	1
4	SCREW,CAP,SKT HD,10-32X1/2,SST	102001	1
5	SHAFT,CYLINDER	8964	1
6	SCREW,SET,8-32X1/4 SST	100147	1
7	CYLINDER,STOP	8946	1
8	SCREW,FLAT,4-40X5/8 PHIL SST	100060	8
10	BEARING, ROTATIONAL, BALLSCREW	8998	1
11	NUT,RETAINING	8750	1
12	FLANGE, FOR BEARING AND SHAFT	8940	1
13	BEARING,SHAFT,BALL SCREW	8996	1
14	SCREW,FLAT,10-32X1/2 SST	103052	4
15	CYLINDER/BEARING HOUSING,WELDMENT	KC323	1
17	BEARING, THRUST	8950	1
18	RAIL GUIDE	8942	4
19	SCREW,SHCS,8-32X3/8 SST	100448	8
20	BEARING,ASSEMBLY ROTATIONAL	8969	1
21	MRO-REMOVABLE LCK,ND 121200-2,BLUE	CS036	1
22	GEAR,MODIFIED,IN-OUT DRIVEN	8970	1
23	KEYSTOCK,3/32X.5 LONG	8872	1
24	MRO-GASKET MAKER,HI-TEMP	445063	1
25	PLUG,EXPANSION.MODIFIED	8782	1
26	SCREW,SET,8/32X1/8,CUT PT,SS	HW413	2
27	MRO-PERMANENT LOCK,ND 140500-50,RED	440060	1
28	MRO-RET.COMP,.015GP,ND541200-10ml, GRN	CS092	1
29	SHIM,1.125OD X .750ID X .002THK,SST	HW1044	2
30	SHIM,.750ID X 1.125OD X .005THK,SST	HW1045	3
31	MRO-GREASE,SUPERLUBE 41150 -14.1-OZ	CS476	1

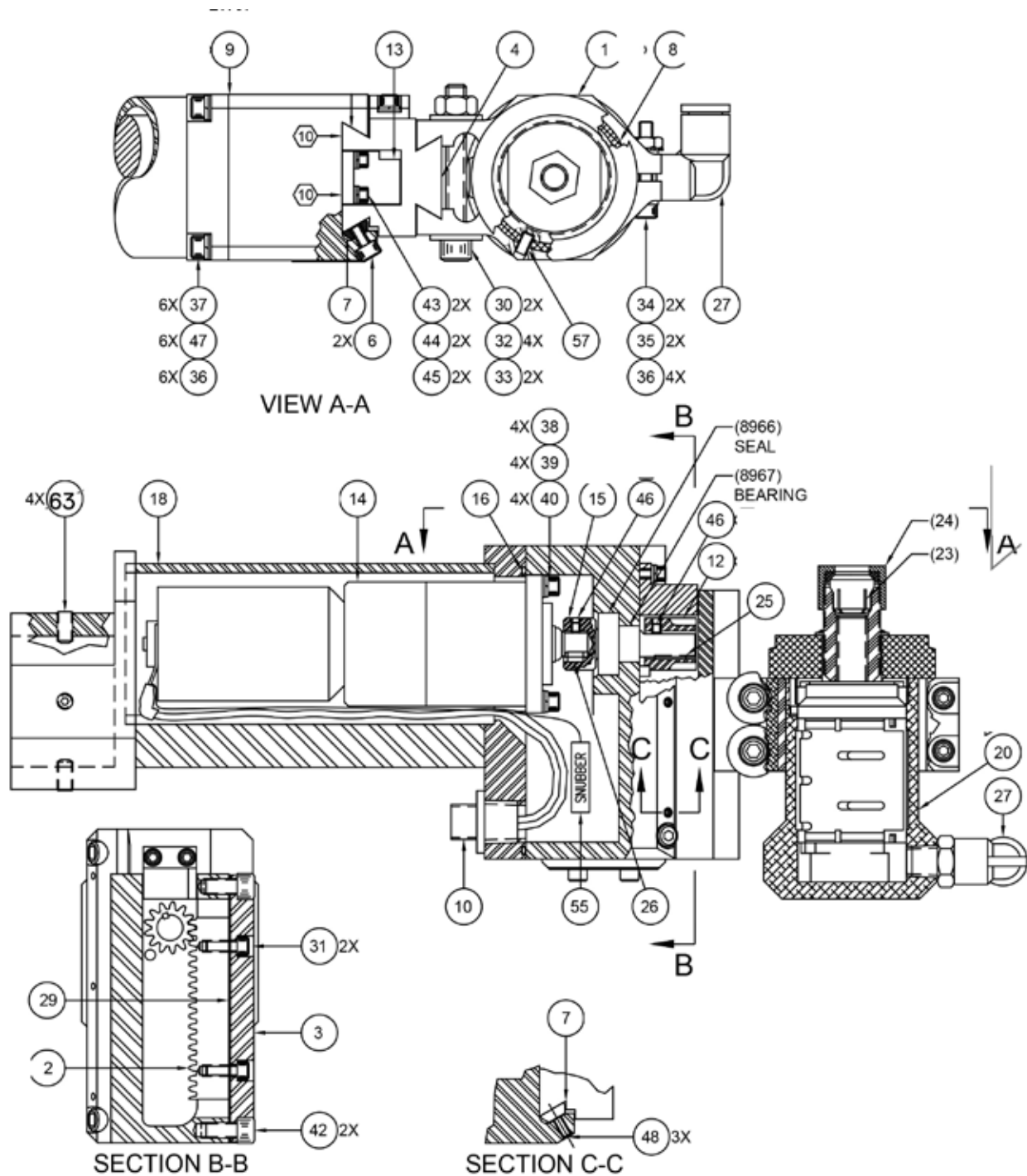
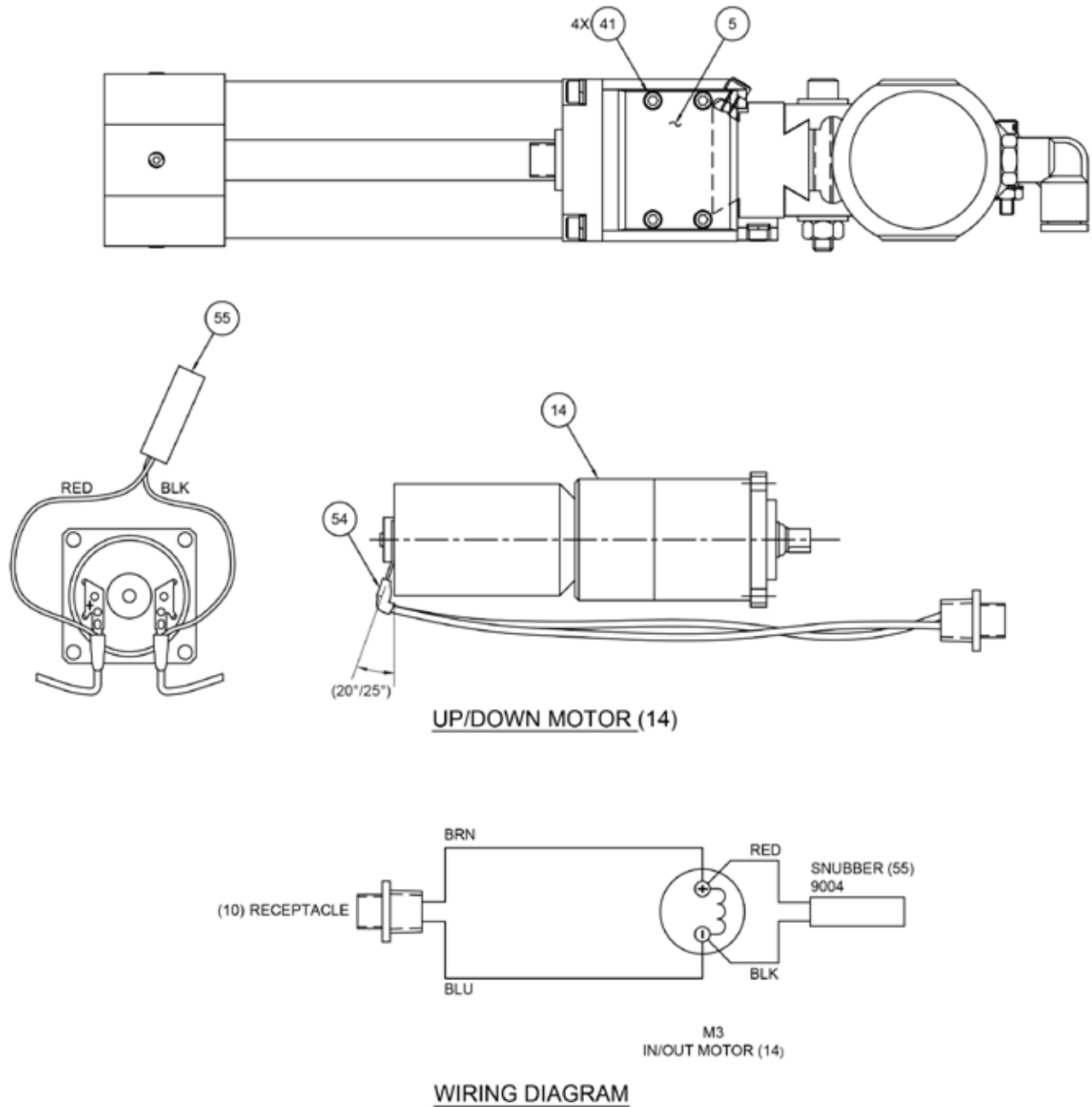


FIGURE 18A. UP / DOWN AXIS ASSEMBLY, P/N 8963

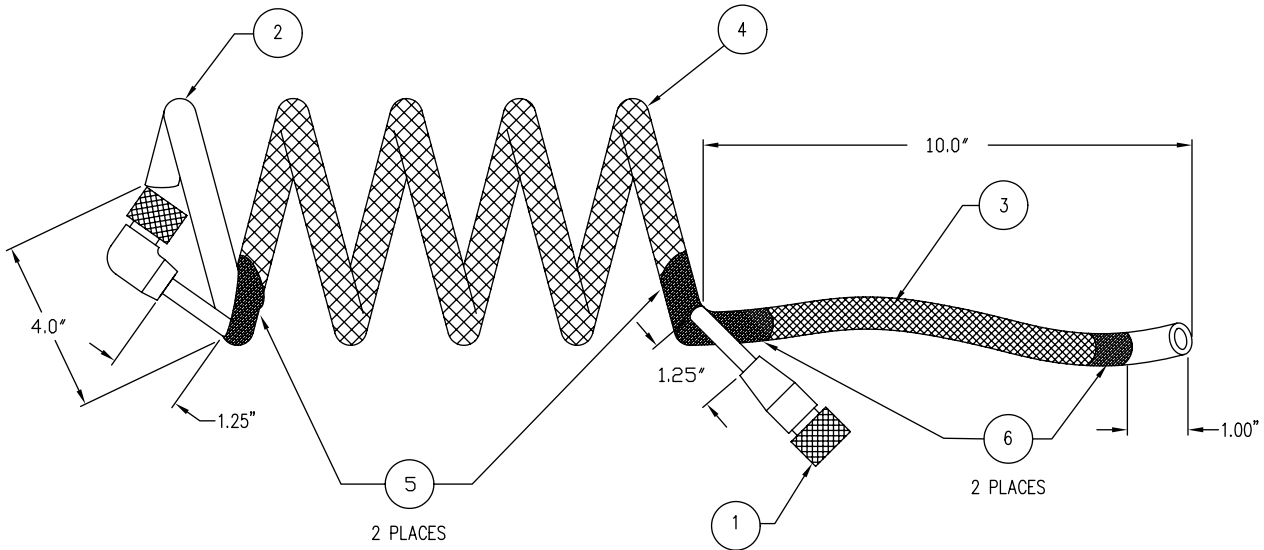




**FIGURE 18B. UP/DOWN AXIS ASSEMBLY, P/N 8963**

<b>UP/DOWN Axis Assembly (See Figure18) Rev. AA, P/N 8963</b>			
ITEM #	Description	Part Number	Quantity
1	CLAMP,AIR MOTOR,F/KC089 AND KC099	8994	1
2	DOVETAIL RACK,MODIFIED	8992	1
3	MOUNT,DOVETAIL RACK	8990	1
4	SLIDE,DOVETAIL	8989	1
5	STOP,DOVETAIL SLIDE	KC025	1
6	SCREW,CAP,SKT HD,8-32X1/4,SST	100142	2
7	PLATE,PRESSURE	8984	1
8	PAD,COMPRESSION,.9HP AIR MTR .047”T	KC091	1
9	CARRIAGE,DOVETAIL	8979	1
10	RECEPTACLE,1/4-18 NPT(2POLE)	162546	1
11	MRO-SOLDER,SN63,.025 DIA	CS041	1
12	GEAR,DOVETAIL SLIDE	8972	1
13	BLOCK,STOP, ENHANCED	8968	1
14	MOTOR,GEARBOX ASSY,UP/DOWN,246:1	8957	1
15	SHAFT,EXTENSION,UP/DOWN MOTOR	8956	1
16	O-RING,UP/DOWN MOTOR,2-041,EP	8955	1
17	MRO-GREASE,SUPERLUBE 41150 -14.1-OZ	CS476	1
18	HOUSING,UP/DOWN AXIS MOTOR	8948	1
20	AIR MOTOR ASSY,.9HP,KANGAROO CUT,6”	KC099	1
25	KEYSTOCK,1/16X.375 LONG	8855	1
26	KEYSTOCK,1/8”SQ X .188LG	8854	1
27	CONNECTOR,90°,3/8 TUBE,PUSH LOCK	HW1081	1
29	SPACER,RACK	8766	1
30	SCREW,SHCS,1/4-20X1 7/8 SST	100449	2
31	SCREW,CAP,SKT HD,6-32X3/8,W/NYLO,SS	101621	2
32	WASHER,FLAT,1/4 SAE F/W 18-8	101736	4
33	NUT,LOCK W/NYL INS 1/4-20 SST	HW030	2
34	SCREW,CAP,SKT HD,8-32X1.00,SST	103068	2
35	NUT,LOCK NYLON INS,SST,8-32	112532	2
36	WASHER,FLAT,#8 SST(RED OD .304)	100177	10
37	SCREW,CAP,SKT HD,8-32X1/2,SST	101025	6
38	SCREW,CAP,SKT HD,6-32X1/2,SST	712417	4
39	WASHER,SPLIT #6 SST	100150	4
40	WASHER,FLAT,#6 SST(RED OD .267)	100178	4
41	SCREW,PAN,6-32X5/16 PHIL SST	101088	4
42	SCREW,CAP,SKT HD,10-32X3/8,SST	103030	2
43	SCREW,CAP,SKT HD,4-40X3/8,BLACK	100061	2
44	WASHER,SPLIT #4 SST	100170	2

<b>UP/DOWN Axis Assembly (See Figure18) Rev. AA, P/N 8963</b>			
ITEM #	Description	Part Number	Quantity
45	WASHER,FLAT,#4 SST(RED OD .209)	101737	2
46	SCREW,SET,4-40X1/8 SST	100050	2
47	WASHER,SPLIT LOCK,#8 SST	101738	6
48	SCREW,SET,10-32X3/8 SKT SST	101602	3
49	MRO-REMOVABLE LCK,ND 121200-2,BLUE	CS036	1
50	MRO-SEAL.HGH PRESS,ND 440400-10ml,BRN	445091	1
51	MRO-ADHES.INSTANT,ND 310035-28,CLR	440094	1
52	MRO-PERMANENT LOCK,ND 140500-50,RED	440060	1
54	TUBE,SHRINK,BLACK 1/8"	712789	1
55	SNUBBER,ASSY,F/CUTTER	9004	1
56	MRO-SEALANT,POURABLE TRANSLUCENT	445066	1
57	SCREW,SET,6-32X1/4 SST	100099	1
61	MRO-GREASE,HEAVY DUTY REDMAN	440030	1
62	MRO-RET.COMP,.015GP,ND541200-10ml, GRN	CS092	1
63	SCREW,SET,1/4-20X5/16L,SS,H-DOG PNT	HW2399	4



**FIGURE 19. CABLE/HOSE ASSEMBLY, K. CUTTER, KC018**

<b>Cable/Hose Assy, K. Cutter (See Fig. 19) Rev. C, KC018</b>			
Item #	Description	P/N	Qty
-1	· Cable, Power Quick Disconnect	KC017	1
-2	· Hose, Air, Coiled	8931	7
-3	· Tube, Expandable 3/8 Nylon	015021	1
-4	· Tube, Expandable 1/2 Nylon	165005	7
-5	· Tube, Shrink, Black 3/4 ADH	712579	1
-6	· Tube, Shrink, Black 3:1 Ratio 1/2"	712572	1