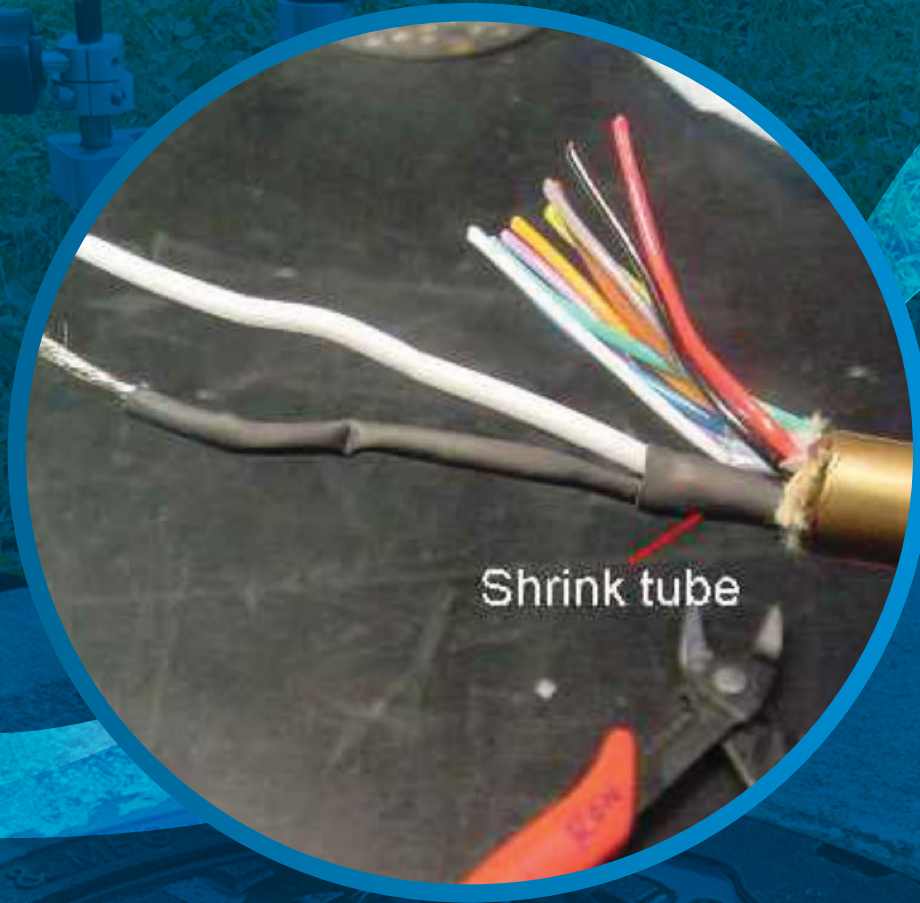


CUES PARTS CATALOG - Cables

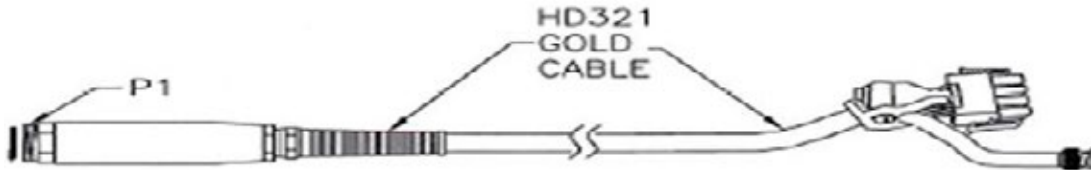
v09.2024



MAINLINE TV CABLES -

HD321 Series Gold Mainline TV Cables with DUC termination for Truck Mounted Reels

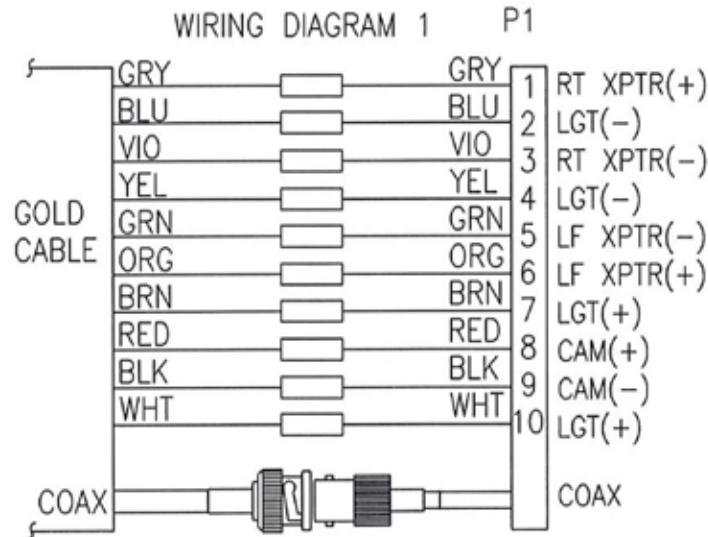
(Footage Meter Head folds up to allow the Rear Truck Door to close – Uses 120825 clamshell strain relief)



HD321-H	CABLE ASSY,M/C,DUC,1000',GOLD,HYT
HD321-3H	CABLE ASSY,M/C,DUC,1200',GOLD,HYT
HD321-1H	CABLE ASSY,M/C,DUC,1500',GOLD,HYT
HD321-4H	CABLE ASSY,M/C,DUC,1800',GOLD,HYT
HD321-2H	CABLE ASSY,M/C,DUC,2000',GOLD,HYT

(Uses Repair Kit # HD905-1)

- *Use HD312 Adapter (Black) to adapt to standard Cues 12 pin pigtail following the TM607 wiring scheme)
- *Use HD329 Adapter (Blue) to adapt to standard Cues 12 pin pigtail following the 0305490 wiring scheme)



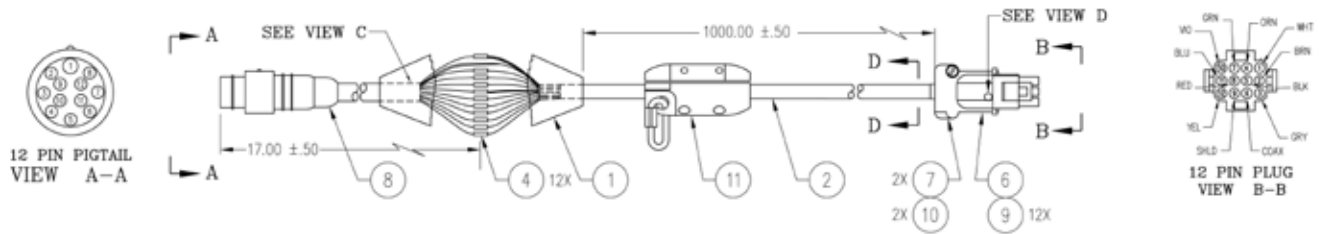
Contents of HD905-1 KIT,REPAIR,GOLD CBL TO DUC **CS504 Crimper required for BNC plug**

P/N	DESCRIPTION	QTY/Per
HD309	RECEPT,HD12,FEM,10COND W/COAX	1
MK214	INSULATOR, MYLAR, 3.75 X 4.5 X .004	1
EC1946	PLUG,BNC,75OHM,RF/COAXIAL,STR	2
712595	TUBE,SHRINK,BLACK 3/32"	1
HD088	TEMPLATE,COAXIAL CBL STRIPPING,DUC	1
HD905-INST	INST SHT,GLD CBL HD RETRO	1

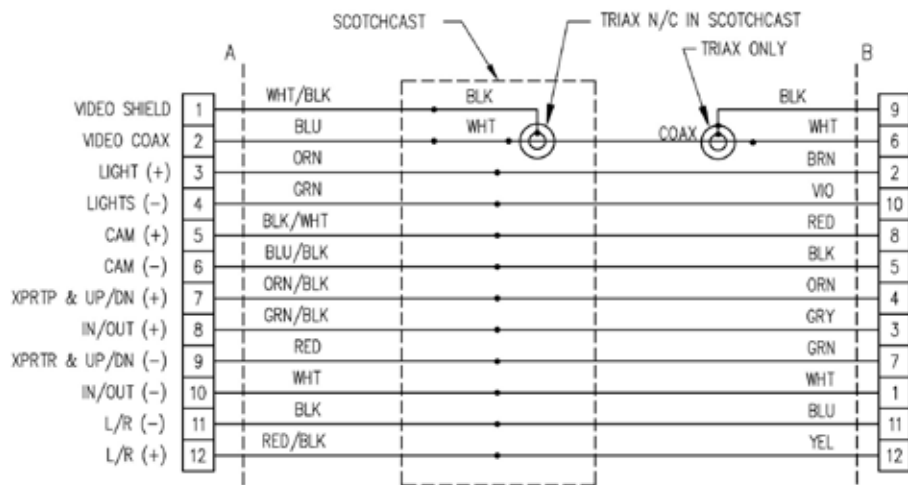
MAINLINE TV CABLES -

0305490 Series Gold Mainline TV Cables for Truck Mounted Reels

(Footage Meter Head folds up to allow the Rear Truck Door to close –Uses 120825 clamshell strain relief)



12-pin terminated cables used for Cutter / LAMP 1
(Uses Repair Kits # RP123 or RP123-1)



WIRING DIAGRAM

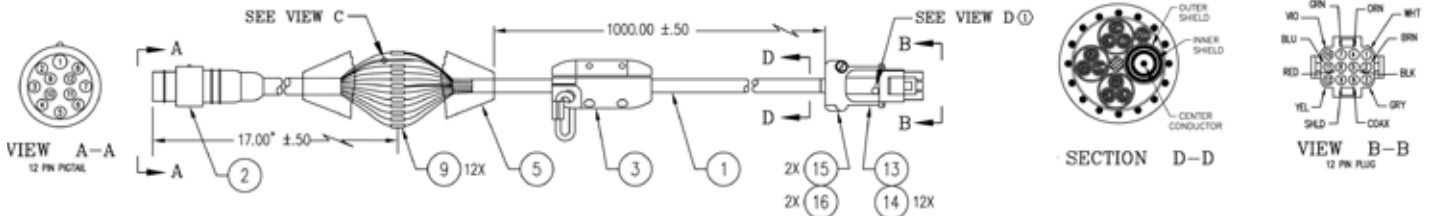
Contents of RP123 KIT,RPR,TRK,12PIN,MTL,SPR W/LAMP,CUTTER

P/N	DESCRIPTION	QTY/Per
HW1454	STRAIN RELIEF FITTG, F/PIGTAIL	1
770001	PIGTAIL,12PIN,MALE,W/FEMALE PIN 17"	1
RP017	CHAMBER,SPLICE,MAINLINE,M/C,12P PIG	1
HW1333	STRAIN RELIEF FITTG,W/SPRING,F/GOLD	1
712577	TUBE,SHRINK,BLACK 3/16"RNF	1
712789	TUBE,SHRINK,BLACK 1/8"	1
712595	TUBE,SHRINK,BLACK 3/32"	1
160023	CONNECTOR,BUTT 22-18	12
RP123-INST	INSTR.SHT,RPR,12P,MTL,SPR W/LMP,CTR	1
RP019	MYLAR,INSULATING,3"X3",SPLICE CHAM	1

MAINLINE TV CABLES -

TM607 Series Gold Mainline TV Cables for Truck Mounted Reels

(Footage Meter Head folds up to allow the Rear Truck Door to close - Uses 120825 clamshell strain relief)



12-pin terminated cables used for Steerable Transporters / Lamp II
(Uses Repair Kits # RP124 or RP124-1)

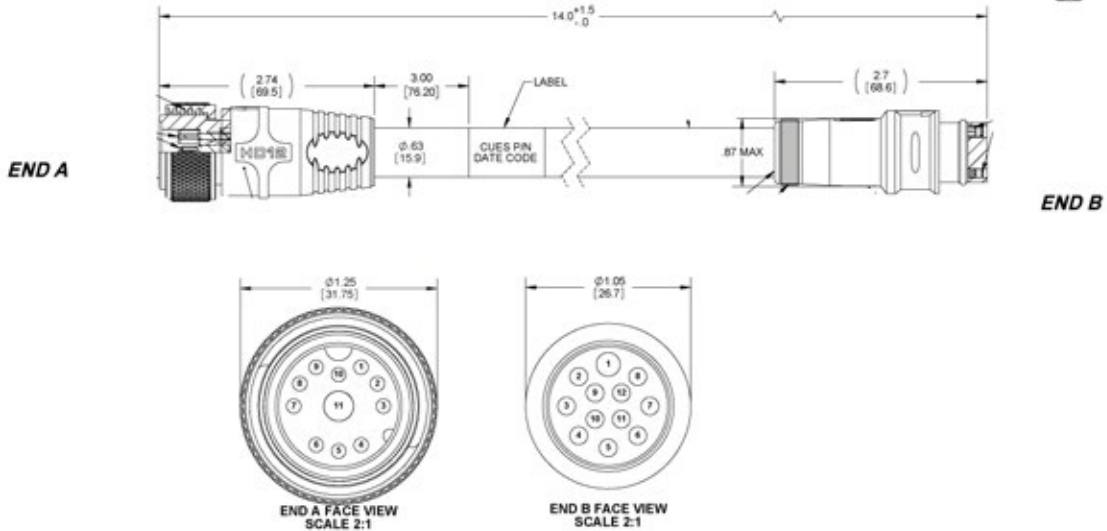
TM607-31H	CABLE ASSY,M/C,12P,500',SMM,MTL,HYT
TM607-10H	CABLE ASSY,M/C,12P,1000',SMM,MTL,HY
TM607-13H	CABLE ASSY,M/C,12P,1500',SMM,MTL,HY
TM607-19H	CABLE ASSY,M/C,12P,1800',SMM,MTL,HY

Contents of RP124 KIT,RPR,TRK,12PIN,METAL,PR,SPR,SMM

P/N	DESCRIPTION	QTY/Per
HW1454	STRAIN RELIEF FITTG, F/PIGTAIL	1
770001	PIGTAIL,12PIN,MALE,W/FEMALE PIN 17"	1
RP017	CHAMBER,SPLICE,MAINLINE,M/C,12P PIG	1
HW1333	STRAIN RELIEF FITTG,W/SPRING,F/GOLD	1
712577	TUBE,SHRINK,BLACK 3/16"RNF	1
712789	TUBE,SHRINK,BLACK 1/8"	1
712595	TUBE,SHRINK,BLACK 3/32"	1
160023	CONNECTOR,BUTT 22-18	12
RP124-INST	INST SHT,RPR,12P,MET,PR/SPR/SMM/LM2	1
RP019	MYLAR,INSULATING,3"X3",SPLICE CHAM	1

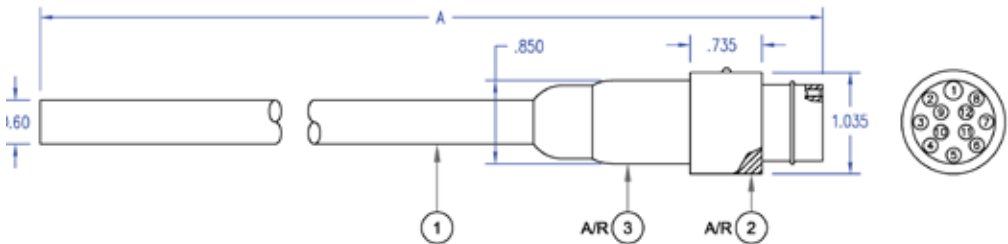
MAINLINE TV CABLES -

HD312 ADAPTER, HD12 CABLE END > CUES 12 PIN

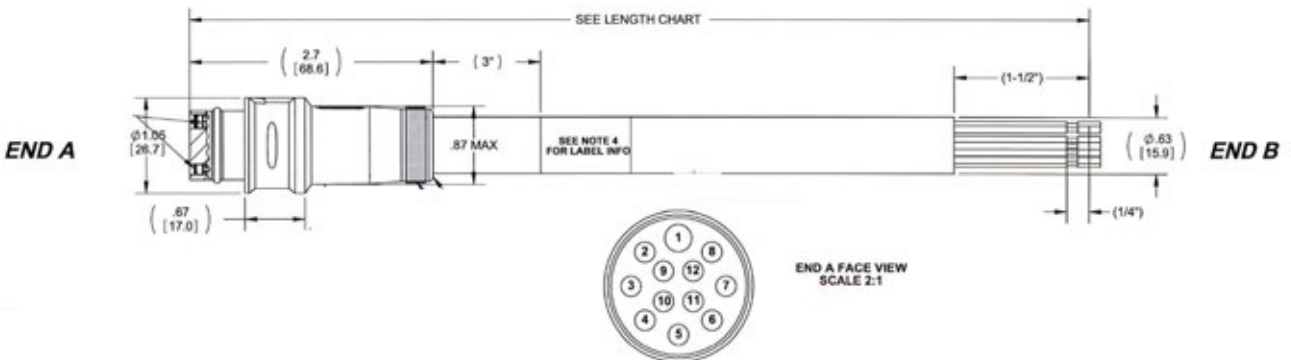


770001 PIGTAIL, 12PIN, MALE, W/FEMALE PIN 17"

CONFIGURATION TABLE		
PART NUMBER	DESCRIPTION	LENGTH "A"
770001	PIGTAIL, 12 PIN, MALE, W/FEMALE PIN 17"	17.0 ±1.0
770001-1	PIGTAIL, 12 PIN, MALE, W/FEMALE PIN 24"	24.0 ±1.0
770001-2	PIGTAIL, 12 PIN, MALE, W/FEMALE PIN 48"	48.0 ±2.0/-0.00
770001-3	PIGTAIL, 12 PIN, MALE, W/FEMALE PIN 17"	17.0 ±1.0



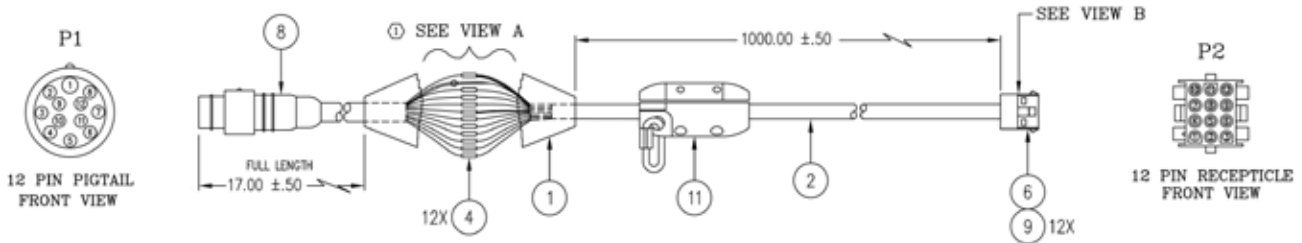
LENGTH CHART	
LENGTH	CUES P/N
17" ± 1.0"	770001
24" ± 1.0"	770001-1
48" ± 2.0/-0	770001-2



MAINLINE TV CABLES -

Gold Mainline TV Cables to be run on an Inspector General Portable Cable Dolly

(White Steel Reel Frame with wheels - Uses 120825 clamshell strain relief)

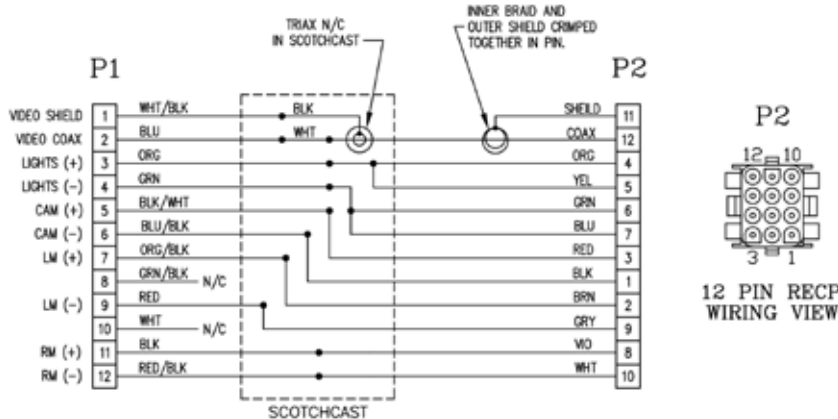


12-pin terminated cables used for Steerable Transporters; wired per the RP128-INST instruction sheet (Uses Repair Kits # RP128 or RP128-1)

SM354-13H CABLE ASSY,500',SPR,SMM,IGGY,METAL

SM354-14H CABLE ASSY,600',SPR,SMM,IG,MTL,HYT

SM354-10H CABLE ASSY,1000',SPR,SMM,IG,MTL,HYT



FYI - The RP127 BOM below is the same for all three RP127, RP128 and RP129 Kits on these 2 pages, except for the Instruction sheet that is included. The same parts are included in the three kits except that they include the appropriate “- Inst” instruction sheet.

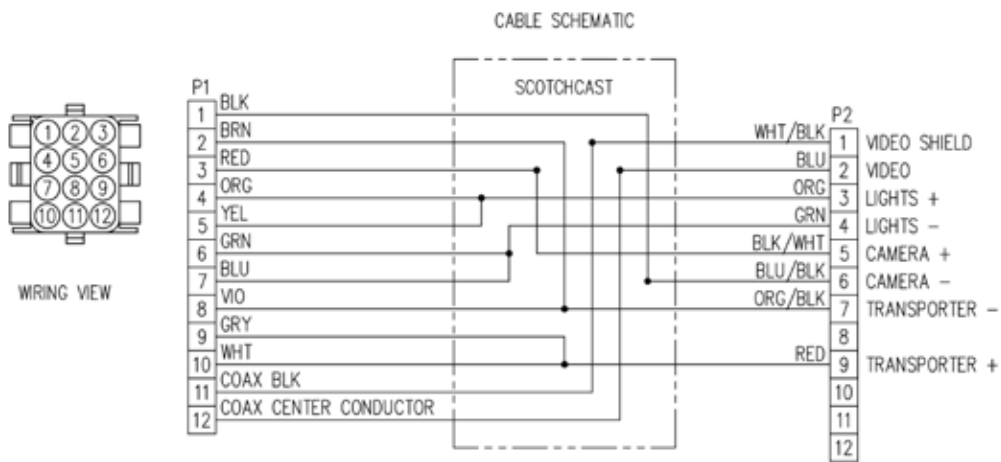
Item #	P/N	Description	Qty / Per
0001	HW1454	STRAIN RELIEF FITTG, F/PIGTAIL	1
0002	770001	PIGTAIL,12PIN,MALE,W/FEMALE PIN 17"	1
0003	RP017	CHAMBER,SPLICE,MAINLINE,M/C,12P PIG	1
0004	HW1333	STRAIN RELIEF FITTG,W/SPRING,F/GOLD	1
0005	712577	TUBE,SHRINK,BLACK 3/16"RNF	1
0006	712789	TUBE,SHRINK,BLACK 1/8"	1
0007	712595	TUBE,SHRINK,BLACK 3/32"	1
0008	160023	CONNECTOR,BUTT 22-18	12
0009	RP127-INST	INSTR.SHT,RPR,IGGY,12-P,METAL,PR	1
0013	RP019	MYLAR,INSULATING,3"X3",SPLICE CHAM	1

MAINLINE TV CABLES -

Gold Mainline TV Cables to be run on an Inspector General Portable Cable Dolly

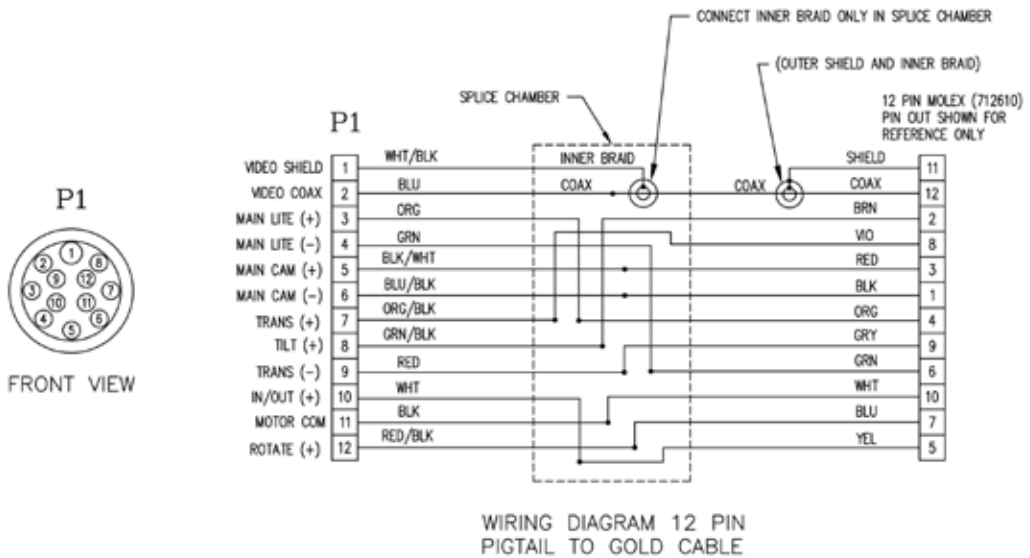
12-pin terminated cables used for Non-Steerable units; wired per the RP127-INST instruction sheet (Uses Repair Kits # RP127 or RP127-1)

WT315-11H	CABLE ASSY,500',W/12P,PR,IG,MTL HYT
WT315-6H	CABLE ASSY,IGGY,600',12P,PR,MTL,HYT
WT315-10H	CABLE ASSY,1K',W/12P,PR,IG,MTL HYT



12-pin terminated cables used for TV / Cutter / Lamp 1; wired per the RP129-INST instruction sheet (Uses Repair Kits # RP129 or RP129-1)

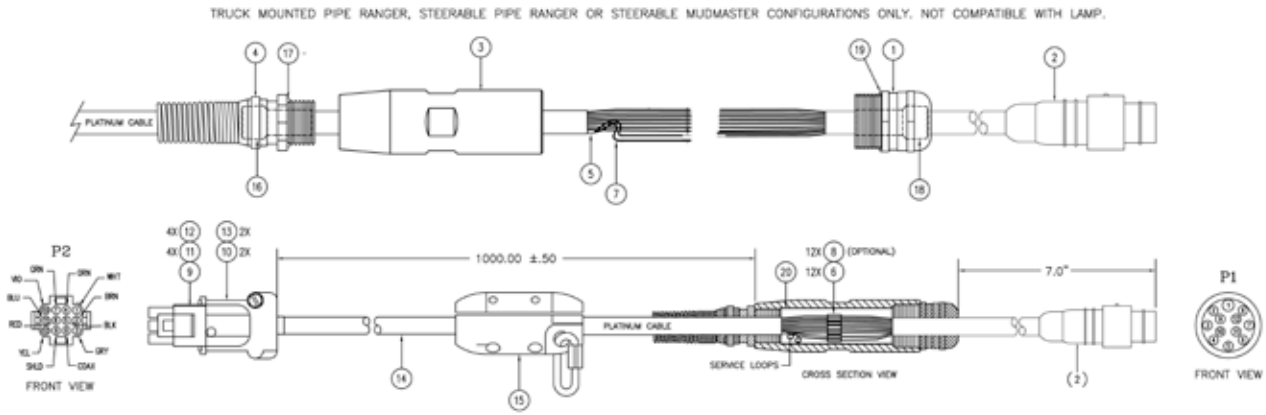
LT379-10H	CABLE ASSY,IGGY,1K' W/12PM,LMP/CUT
-----------	------------------------------------



MAINLINE TV CABLES -

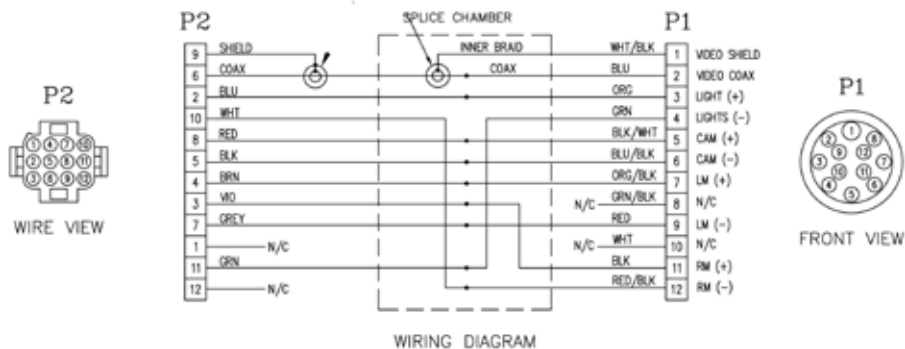
Platinum Mainline TV Cables

(Uses HW1577 clamshell strain relief)



Platinum Mainline TV Cables for Truck Mounted Reels (Footage Meter Head folds up to allow the rear truck door to close)
 And also for K2 Portable Reel # MD330 (Modular aluminum Modular Reel Frame)

WM305-4H	CABLE ASSY,M/C12P,PLTM,660',MTL,HYT	(Uses Repair Kits # RP130 or RP130-1)
WM305-10H	CABLE ASSY,M/C12P,PLTM,800',MTL,HYT	
WM305-H	CABLE ASSY,M/C 12P,PLT,1K',MTL,HYT	
WM305-1H	CABLE ASSY,M/C 12P,PLTNUM,1200'MTL	
WM305-7H	CABLE ASSY,M/C 12P,PLTNUM,1500'MTL	



MAINLINE TV CABLES -

Platinum Mainline TV Cables

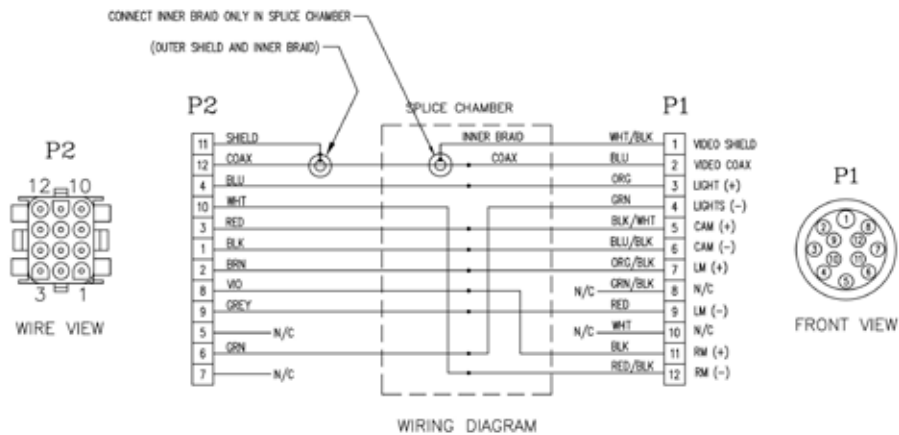
Platinum Mainline TV Cables for an Inspector General Portable Cable Dolly
(White Steel Reel Frame)

SD337-4H CABLE ASSY,M/C,12P,IG,PLT,500',HYT
(No formal repair kit – can use Repair Kits # RP130 or RP130-1 and wire per the SD337 drawing)

SD337-6H CABLE ASSY,M/C,12P,IG,PLT,660',HYT

SD337-H CABLE ASSY,M/C,12P,IG,PLT,1000',HYT

SD337-1H CABLE ASSY,M/C,12P,IG,PLT,1200',HYT

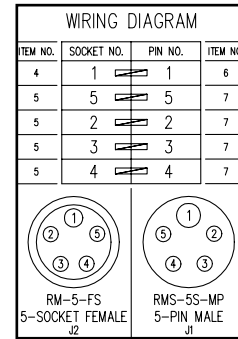
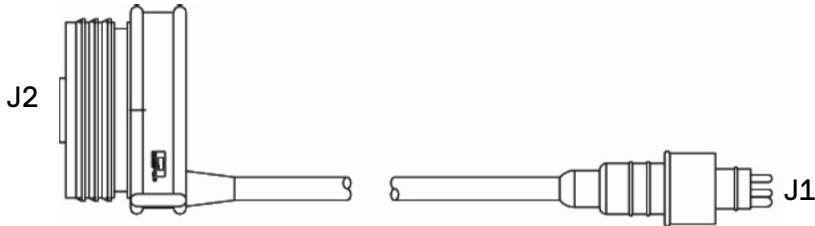


MULTI CONDUCTOR Y-ELIMINATORS -

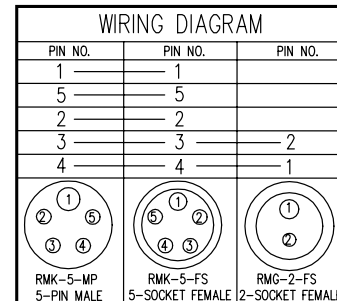
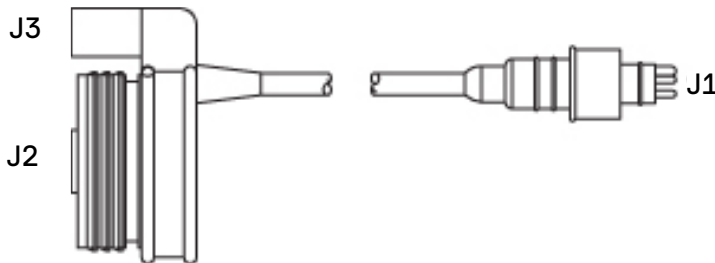
for use with Skids, Floats, Tracked Transporters, and Steerable Mudmaster

ASSOCIATED PARTS: Set screw #100099 x 3 to retain y-eliminator in camera end

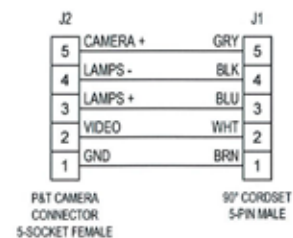
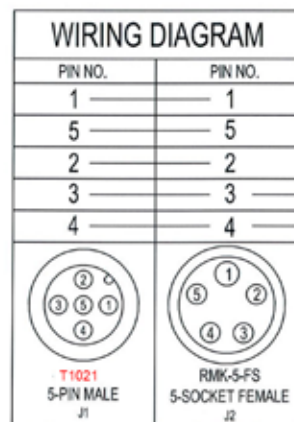
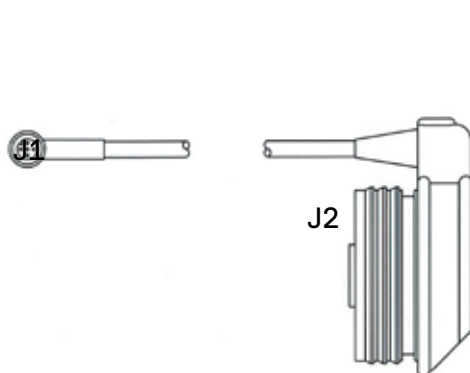
Y ELIMINATOR, 60DEG, ULTRA SHORTY M/C P/N: MC233



Y ELIMINATOR, FLAT, W/TAP, 5PIN, M/C P/N: MC418



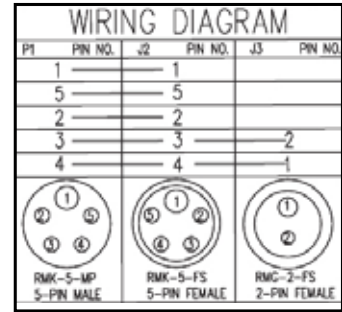
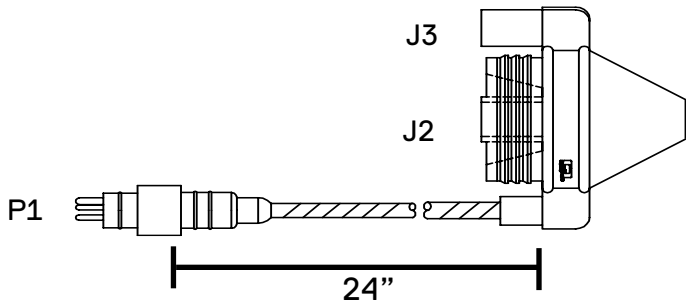
Y ELIMIN, M/C, F/SMM W/REAR VIEW CAM F/ WS311-2 RVC ON A SMM 15" LONG P/N WT311-2



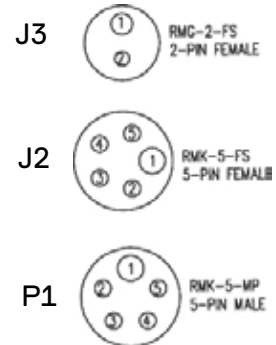
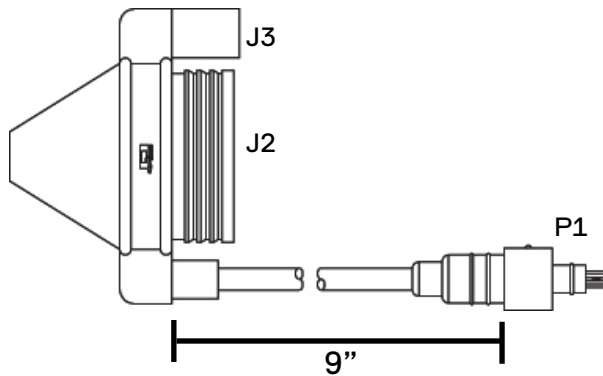
MULTI CONDUCTOR Y-ELIMINATORS -
for Reverse Winch Set-ups

ASSOCIATED PARTS: Set screw #100099 x 3 to retain y-eliminator in camera end

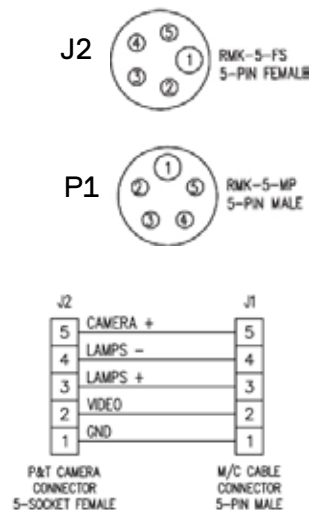
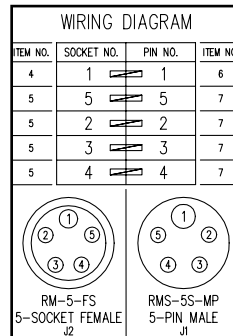
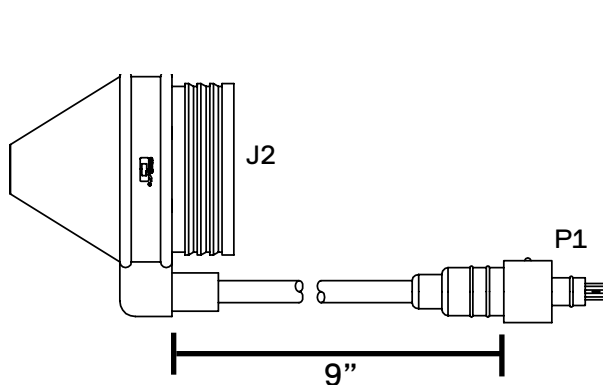
Y ELIMINATOR, M/C, P&T SEAL, W/TAP P/N: 770106



Y ELIMINATOR, M/C, CUTTER, CAM FIRST P/N: 770119



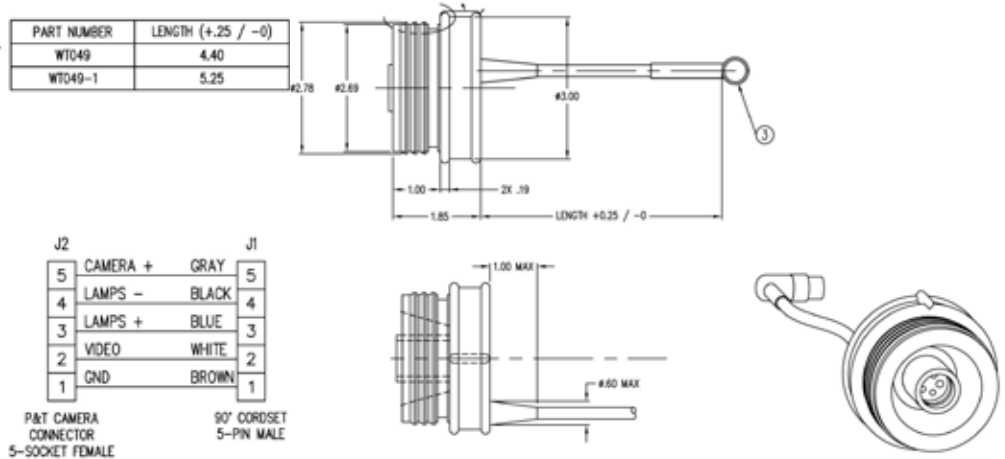
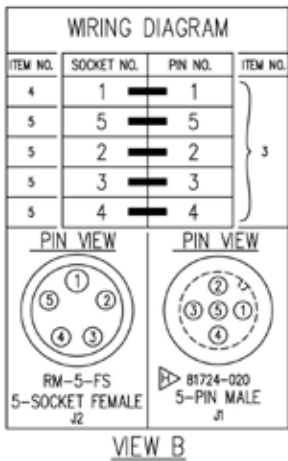
Y ELIMINATOR, M/C, CTR, CAM 1ST, W/OTAP P/N: 770119-1



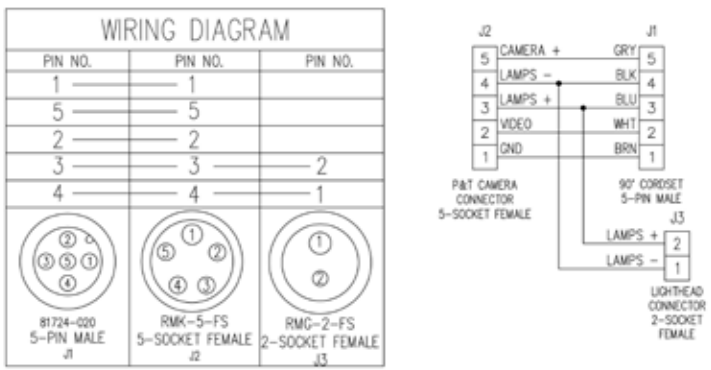
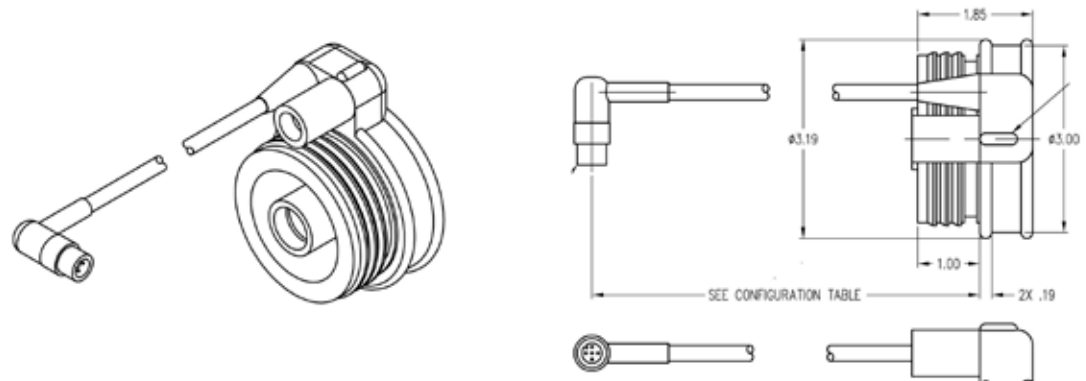
PIPE RANGER Y-ELIMINATORS AND ADAPTERS - MULTI CONDUCTOR

ASSOCIATED PARTS: Set screw #100099 x 3 to retain y-eliminator in camera end

- Y ELIMINATOR, M/C, 4.4", w/o TAP, PR 5P/5P, FOR NON-SPR (IF SPR, USE WT049-1) P/N WT049
- Y ELIMINATOR, M/C, 5.25", w/o TAP, SPR 5P > 5P for SPR (IF PR, USE WT049) P/N WT049-1



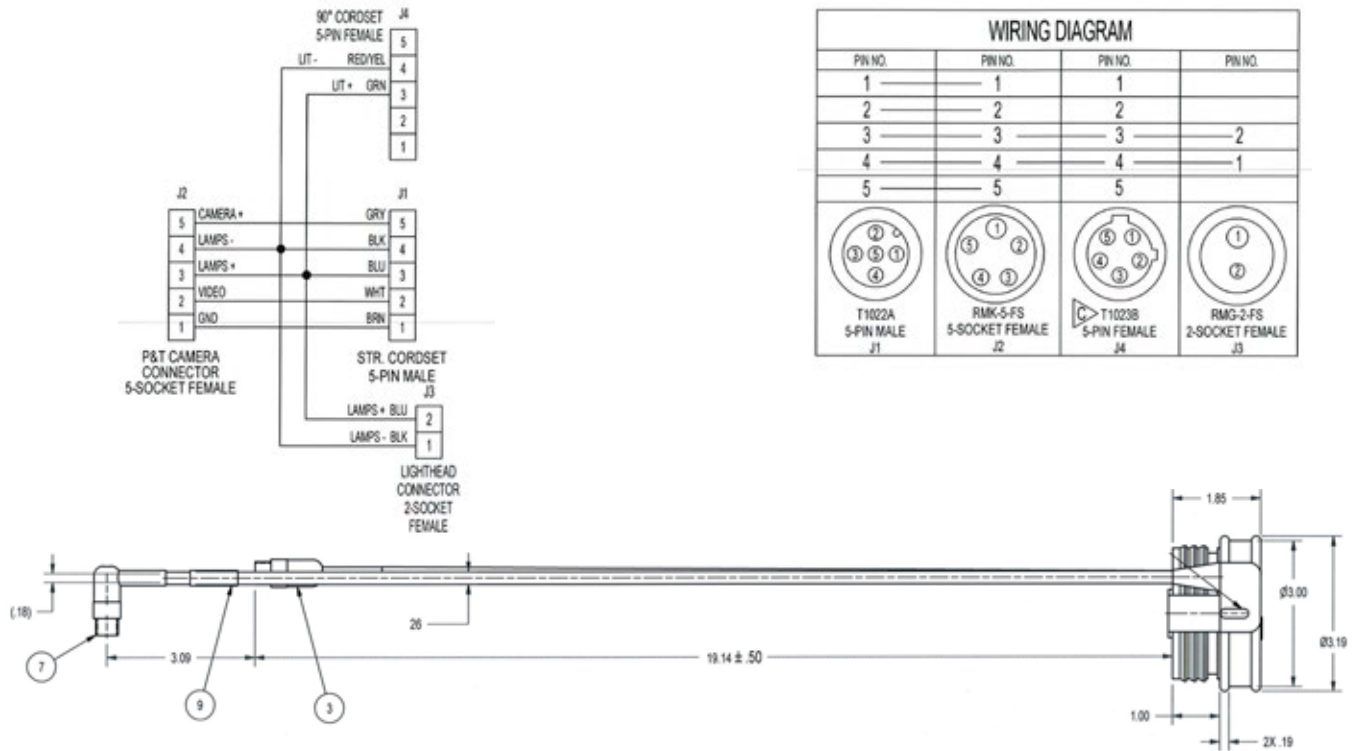
- Y ELIMINATOR, M/C, W/TAP, F/ MAN. LIFT, 5P > 5P / 2P, PIPE RANGER, 15.25" LONG P/N WT311
- Y ELIMINATOR, M/C, W/TAP, F/ MAN. LIFT, 5P / 5P / 2P, PIPE RANGER, 21" LONG P/N WT311-1
- Y ELIMINATOR, M/C, W/TAP, F/ MAN. LIFT, 5P / 5P / 2P, PIPE RANGER, 27" LONG P/N WT311-3



PIPE RANGER Y-ELIMINATORS AND ADAPTERS - MULTI CONDUCTOR

ASSOCIATED PARTS: Set screw #100099 x 3 to retain y-eliminator in camera end

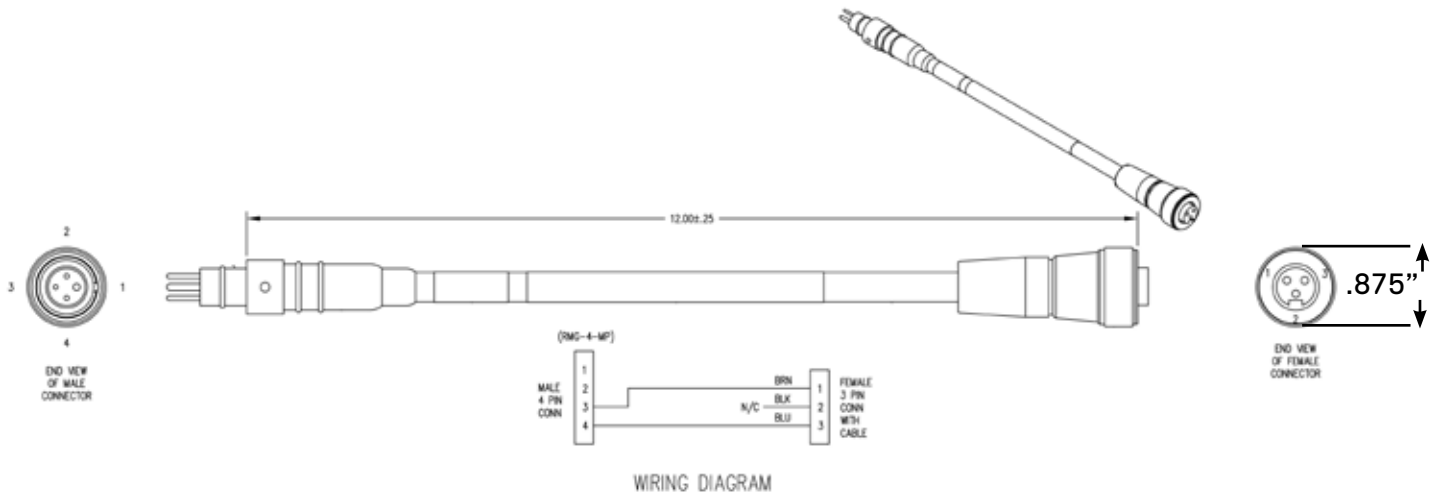
Y ELIMINATOR, M/C, W-TAP, PR/SPR, P-LFT P/N WS050



TRANSPORTER CABLES - TRACKED UNITS

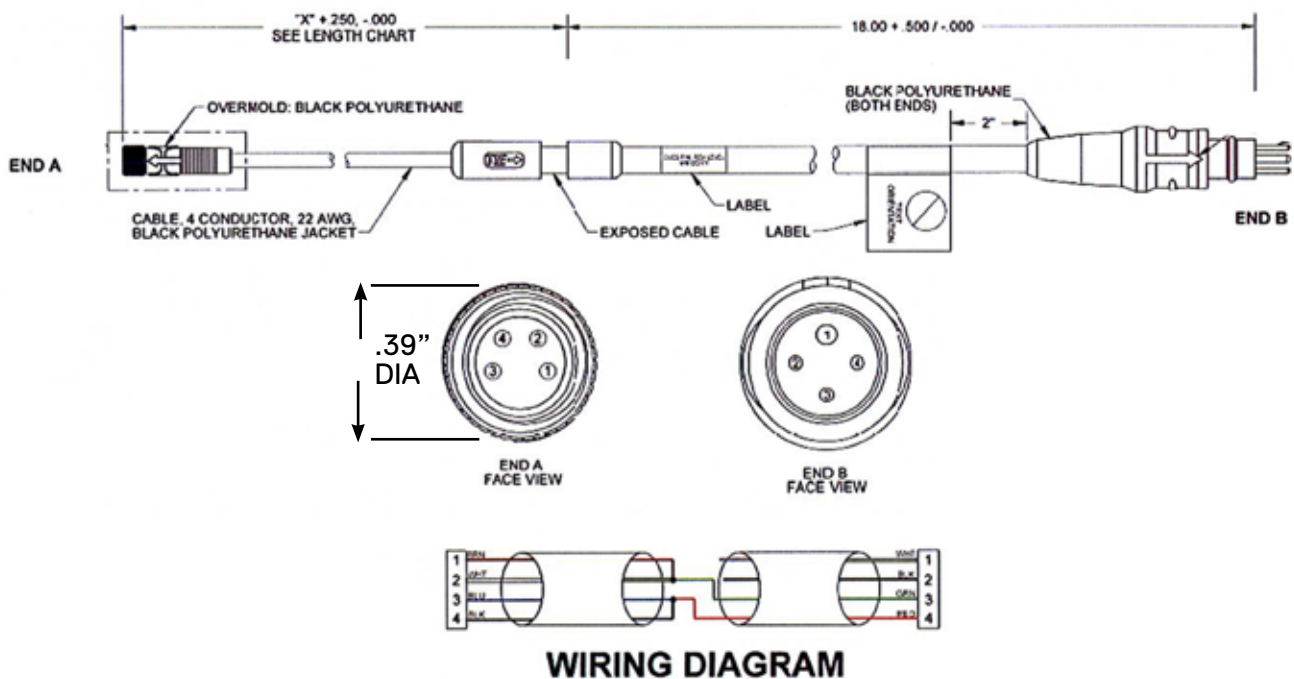
CABLE ASSY, METAL SLEEVE 4 -PIN (YELLOW)

P/N: 712818



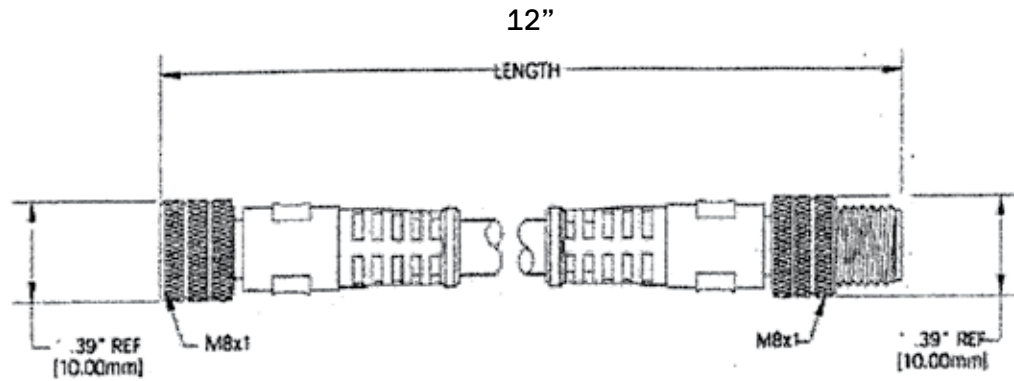
CABLE ASSY, MOTOR&XMSM, SHORTY

P/N: MC236

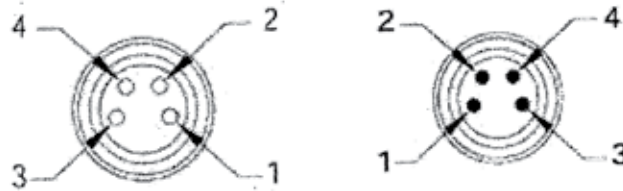


TRANSPORTER CABLES - TRACKED UNITS

CABLE, 4PIN, POWER, MOTOR & TRANS, LAMP P/N: EC429



FACE VIEW



COLOR ROTATION

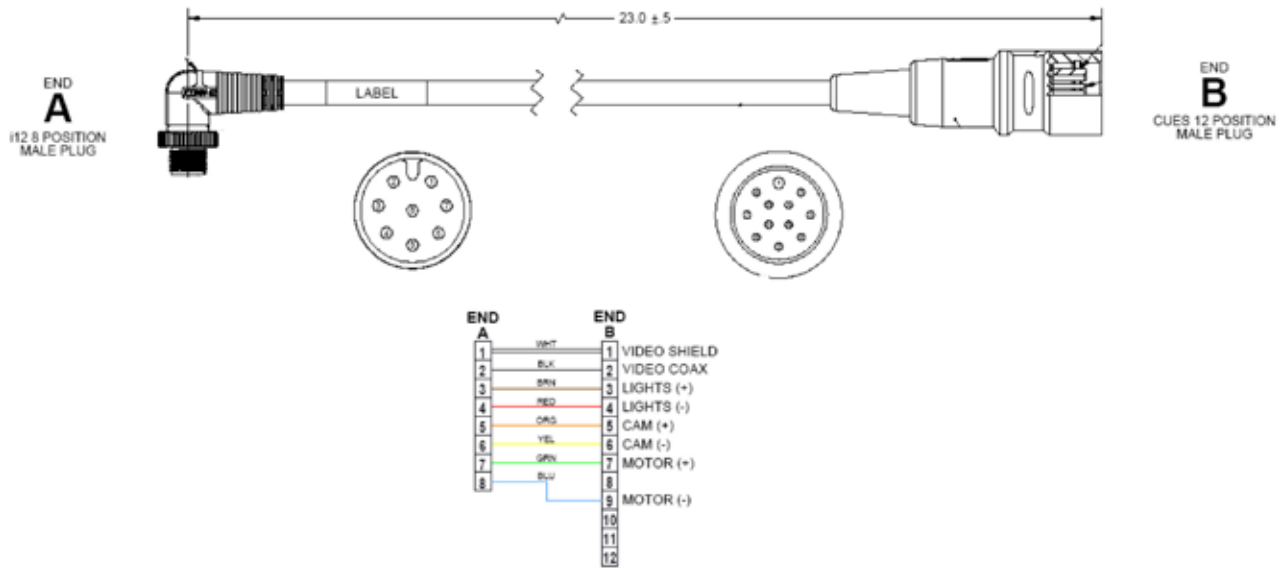
- 1 - brown
- 2 - white
- 3 - blue
- 4 - black

P/N EC429, CABLE, 4PIN, POWER,
MOTOR & TRANS, LAMP

MULTI CONDUCTOR CABLES FOR ULTRA SHORTY III AND WTR III

CABLE ASSY, 12P>8P, WTR3/US3/OZ3 ADAP

P/N: TX343

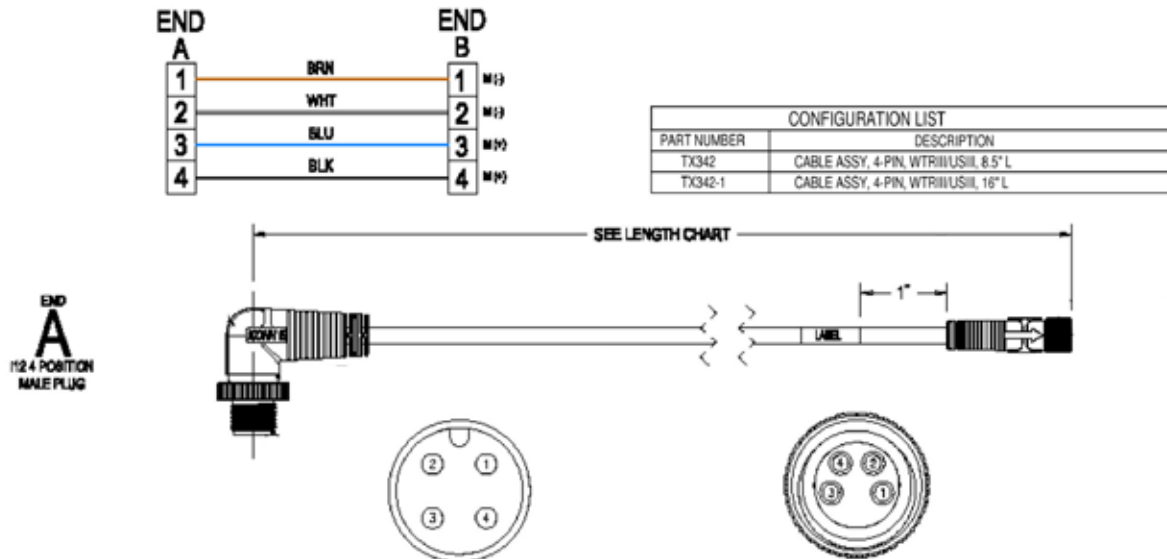


CABLE ASSY, 4-PIN, WTRIII/USIII, 8.5" L

P/N: TX342

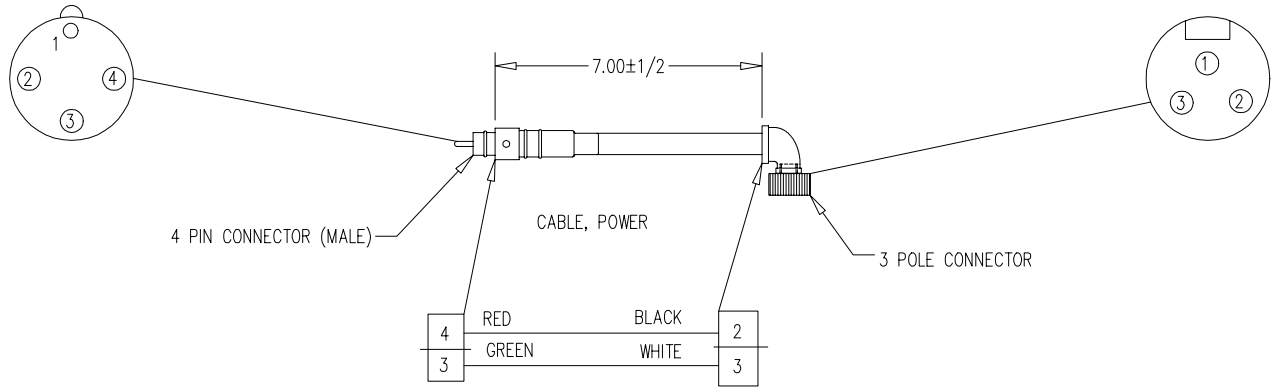
CABLE ASSY, 4-PIN, WTRIII/USIII, 16" L

P/N: TX342-1

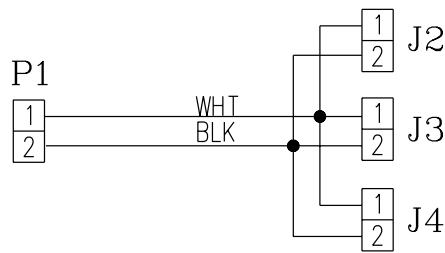


TRANSPORTER CABLES - LARGE PIPE

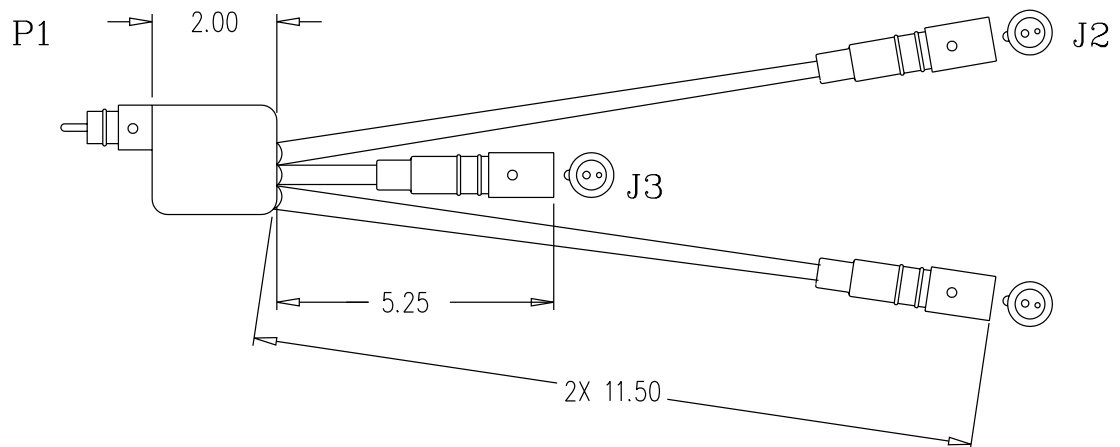
CABLE, POWER MUDMASTER P/N: TM044



CABLE, LIGHTS, MANUAL LIFT, MUDMASTER P/N: TM341



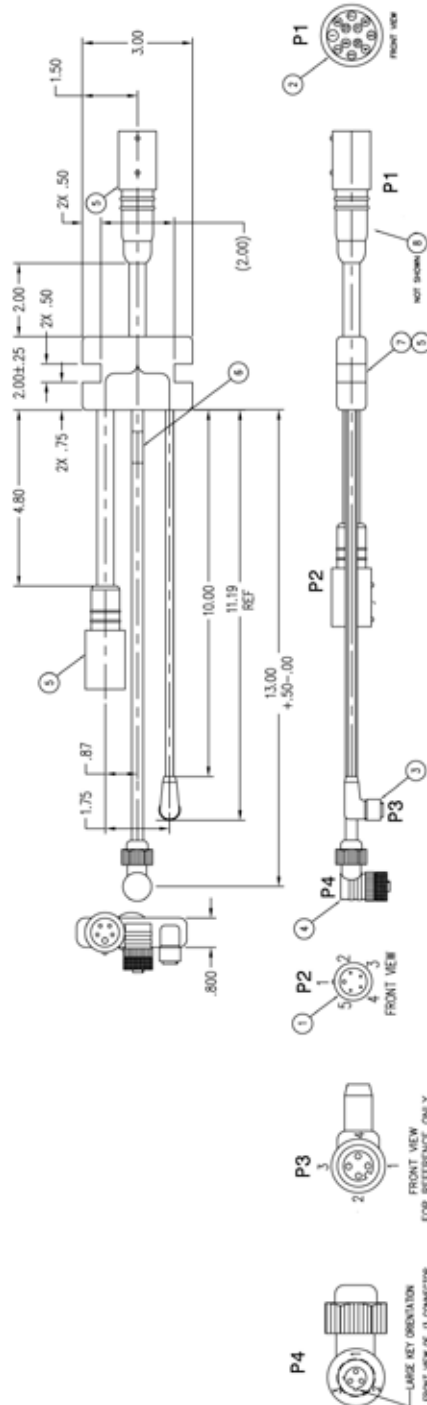
WIRING DIAGRAM



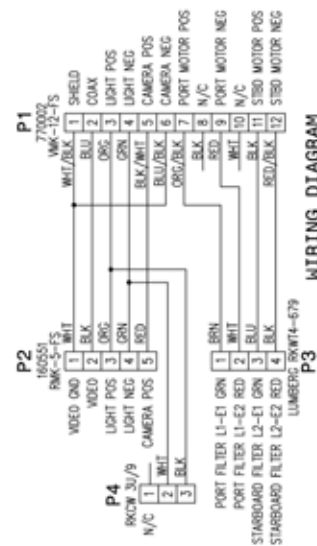
TRANSPORTER CABLES - LARGE PIPE

CABLE, SMM, F/USE W/160626-1, 12/5/4/3

P/N: TM356



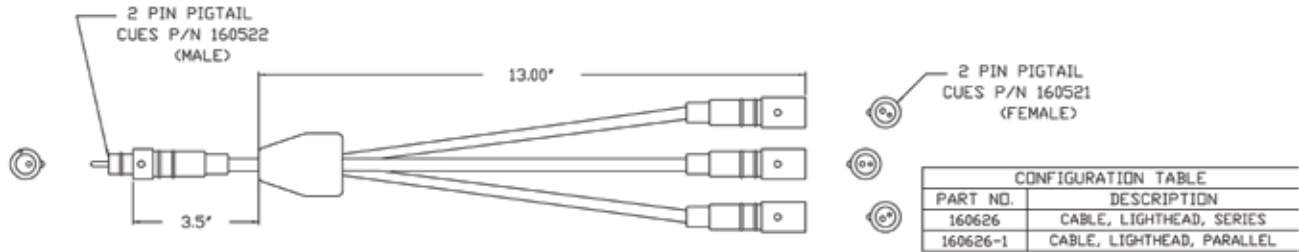
CONFIGURATION LIST	
PART NUMBER	DESCRIPTION
3036-1	CABLE/SMM/USE W/160626-1/12/5/4/3
	CABLE/SMM/USE W/160626-1/12/5/4/3 W/LOCK BLF



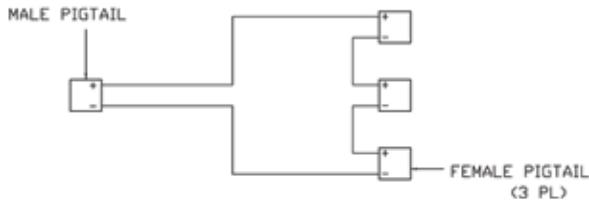
WIRING DIAGRAM

TRANSPORTER CABLES - LARGE PIPE

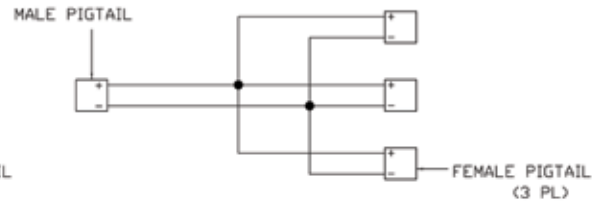
CABLE, LIGHTHEAD HPL 10+, SMM P/N: 160626-1



WIRING DIAGRAM: BASIC CONFIG



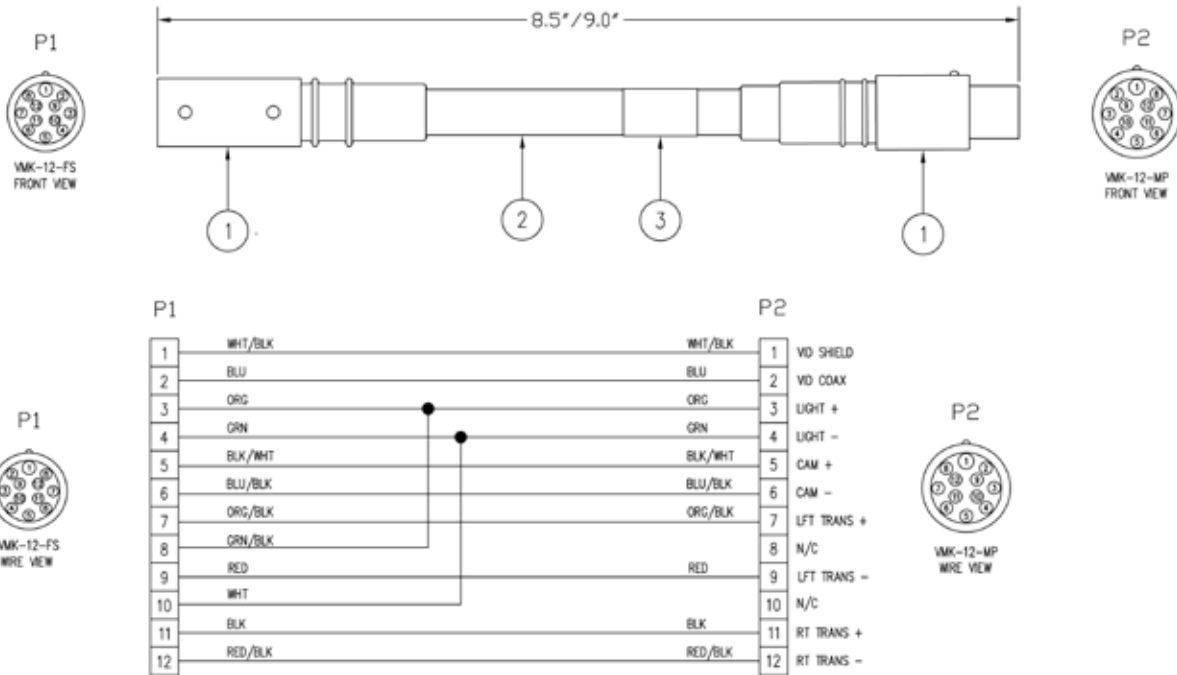
WIRING DIAGRAM: -1 CONFIG



ADAPTERS / EXTENSIONS

ADAPTER, CABLE, 12M/12F, F/SMM>LAMP TRK P/N: TM349

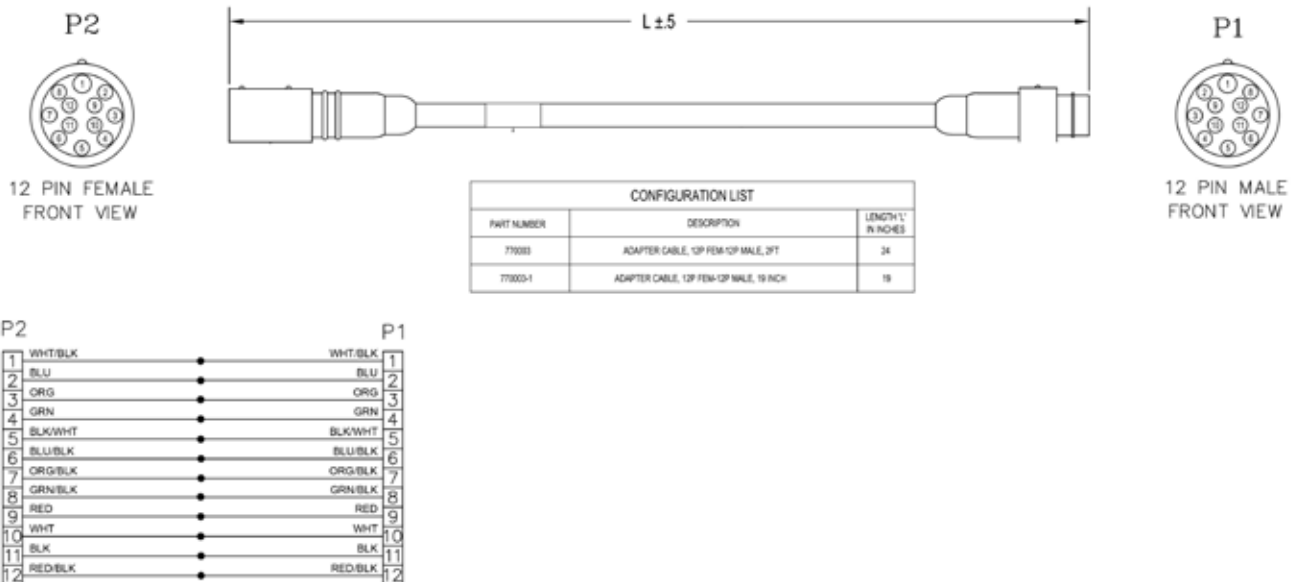
(Allows Steerable Mudmaster with lights to run on a truck wired for LAMP I)



EXTENSIONS

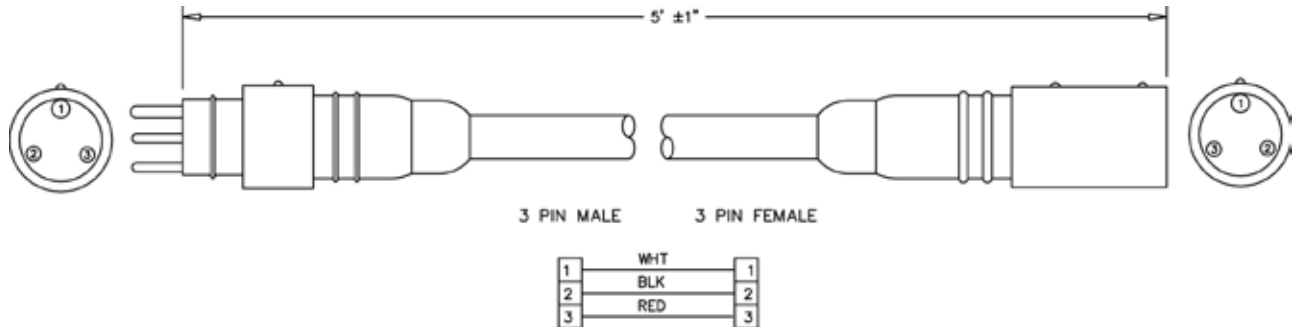
CABLE, EXTENSION, 12P F > 12P M, 2FT P/N: 770003

CABLE, EXTENSION, 12P F > 12P M, 19" P/N: 770003-1

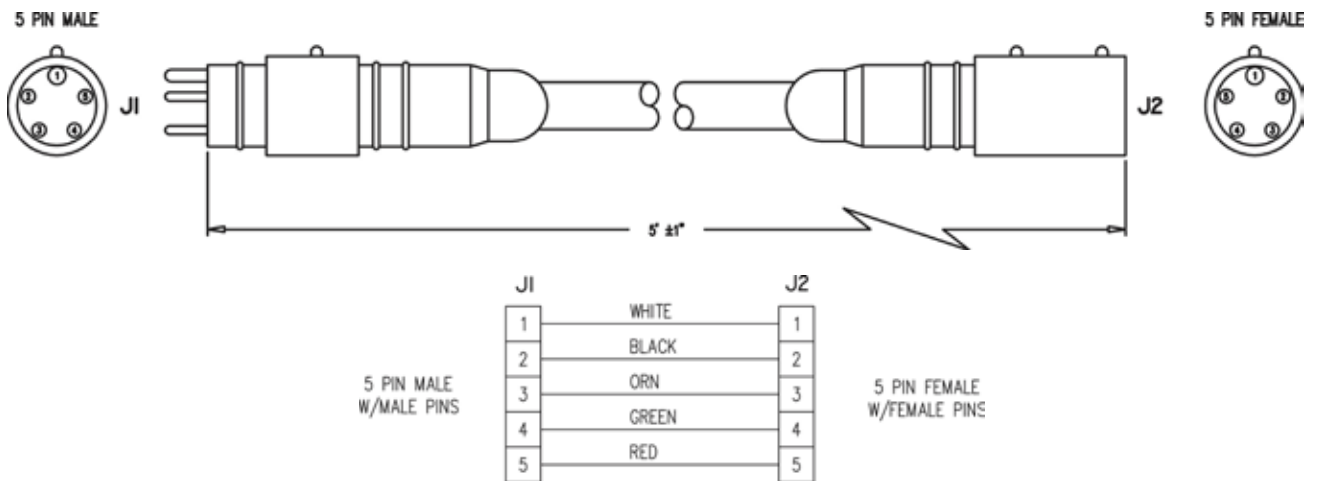


EXTENSIONS

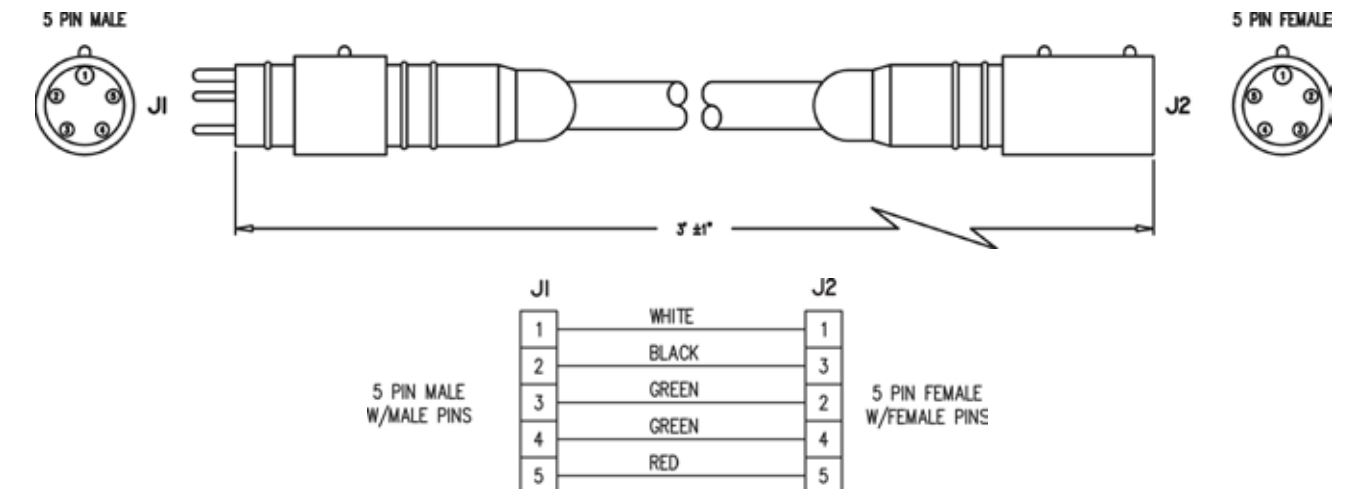
CABLE, 5FT EXT 3PIN M TO 3 PIN F P/N: 160556



CABLE, 5FT EXT 5PIN M TO 5PIN F P/N: 713395



CABLE, 3'EXT 5-PIN MALE/FEMALE P/N: 7133961

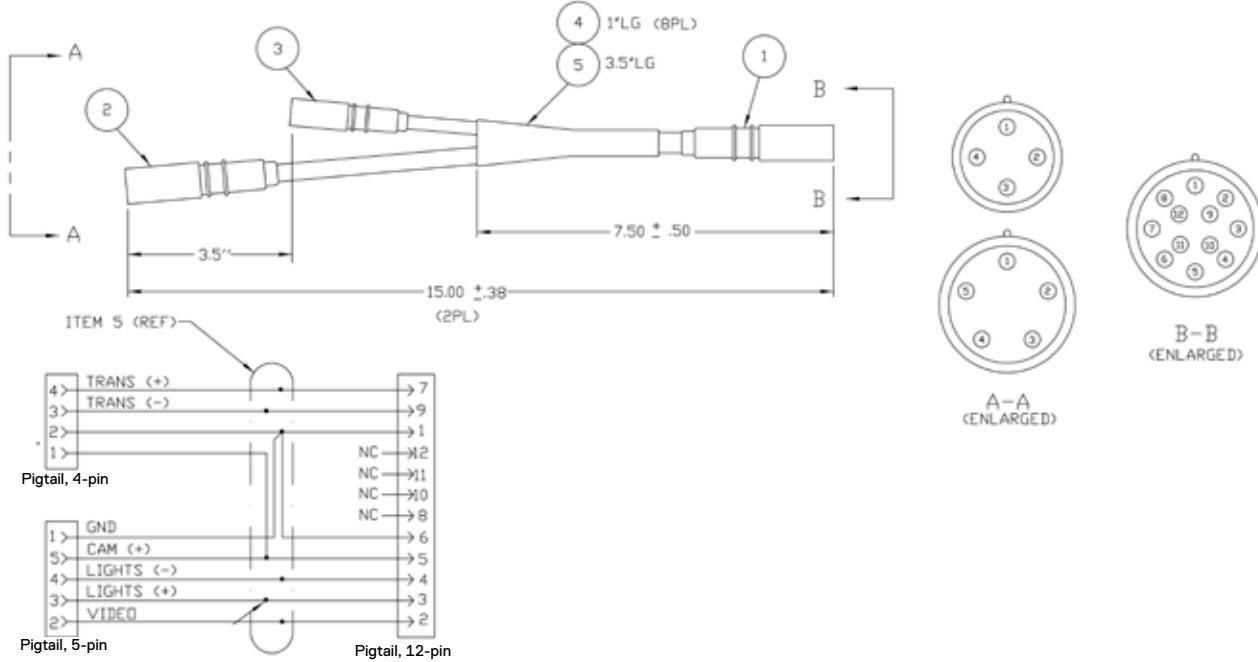


MULTI-CONDUCTOR ADAPTER CABLES

CABLE ASSY, 12 PIN TO 5&4

P/N: 1650120

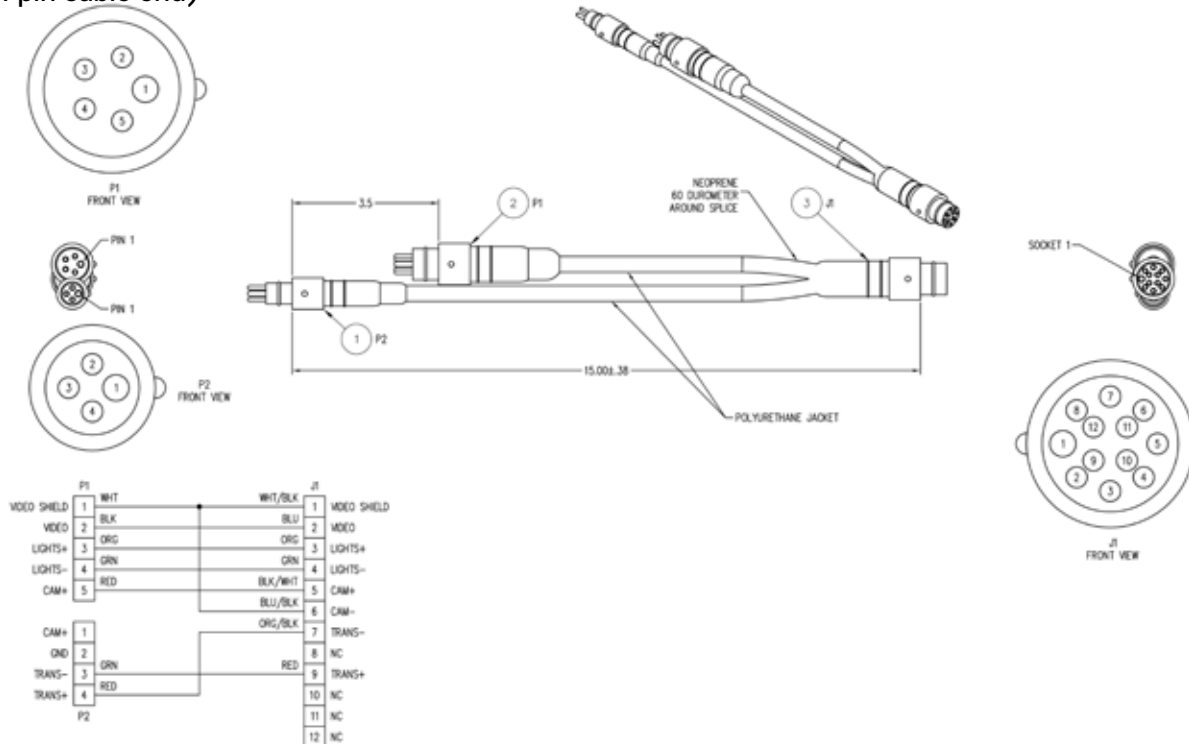
CABLE VERSION (LONG) OF THE TR317 ADAPTER



ADAPTER, CABLE, 5/4>12 PIN F/P-RANGER

P/N WT312

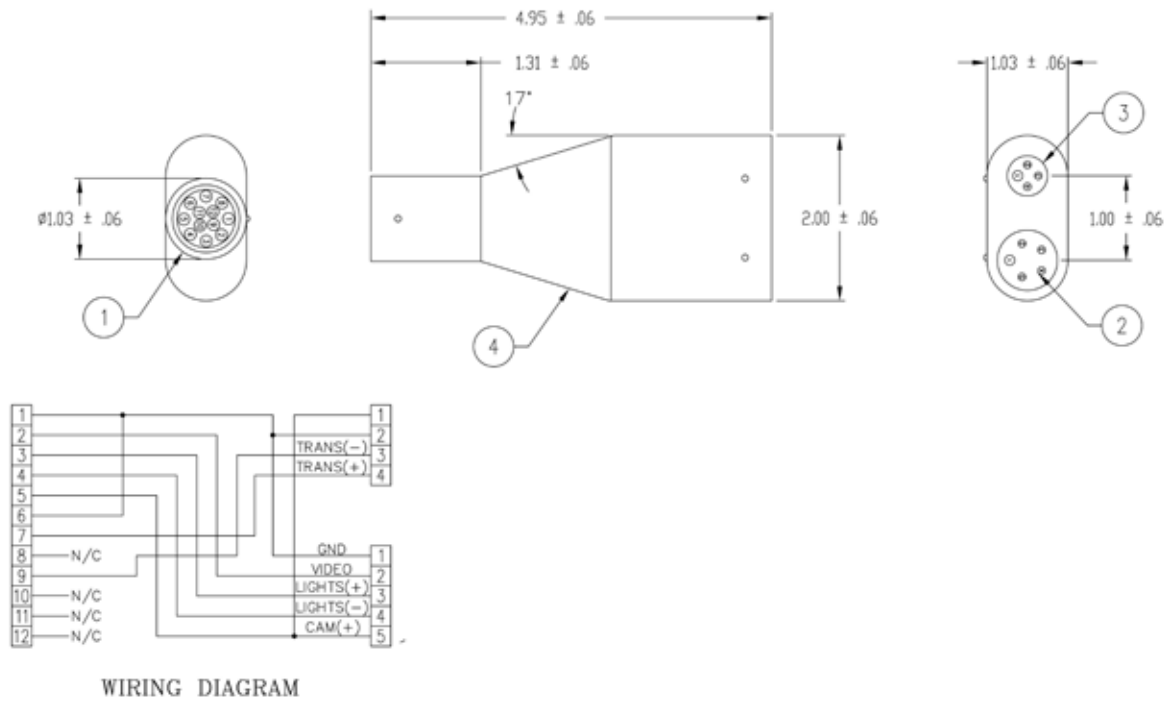
(Allows connection of non-steerable Pipe Ranger or WTR III to a mainline TV cable wired with a 5&4 pin cable end)



MULTI-CONDUCTOR ADAPTER CABLES

ADAPTER CABLE ASSY, MOLDED 12/5/4, BLACK P/N: TR317

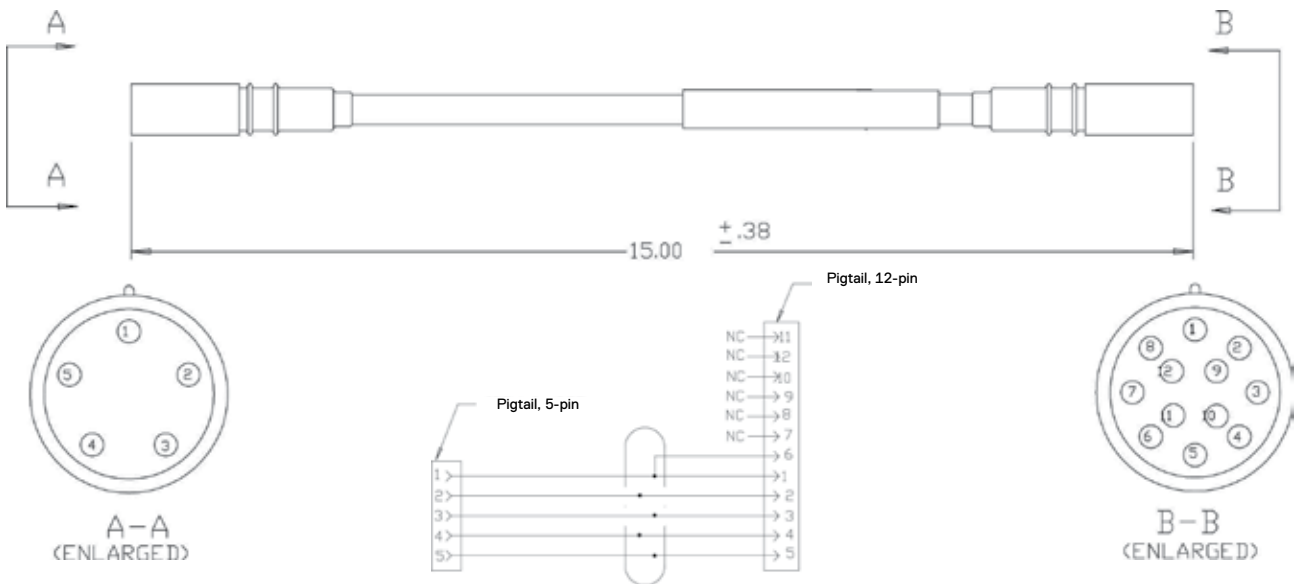
(Molded block version (short) of the 1650120 adapter cable)



WIRING DIAGRAM

CABLE ASSY, 12PIN TO 5PIN FEMALE P/N: 1650100

(Used to connect M/C Y-eliminators to a 12-pin TV cable end - for TVing with a float or a skid)

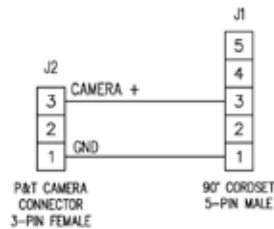
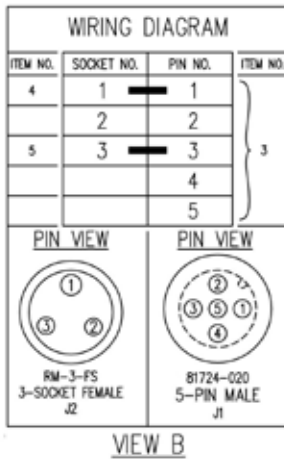


PIPE RANGER Y-ELIMINATORS - SINGLE CONDUCTOR 2000

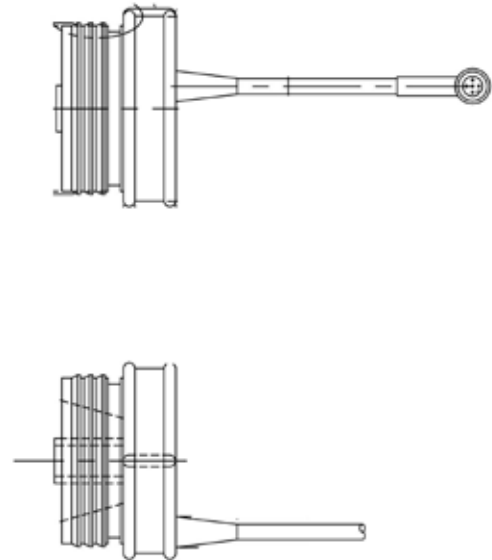
ASSOCIATED PARTS: Set screw #100099 x 3 to retain y-eliminator in camera end

Y ELIMINATOR, S/C, 4.4" W/O TAP, PR, 5P > 3P (IF SPR, USE WT058-1 SC2000) P/N WT058

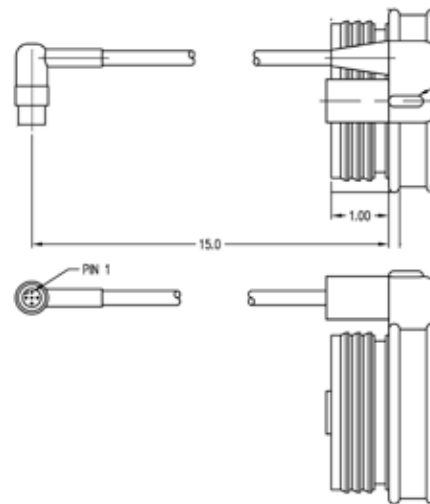
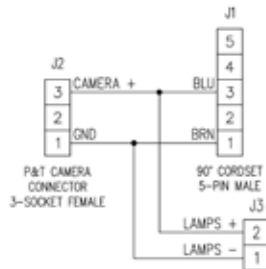
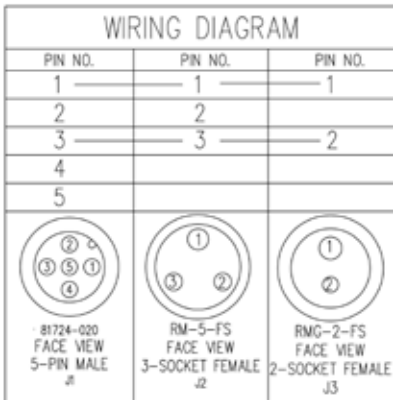
Y ELIMINATOR, S/C, 5.25", W/O TAP, SPR, 5P > 3P (IF PR, USE WT058 SC2000) P/N WT058-1



PART NUMBER	LENGTH (+.25 / -0)
WT058	4.40
WT058-1	5.25



Y ELIMINATOR, S/C, W/TAP, F/ MAN. LIFT, 5P > 3P / 2P, PIPE RANGER 15.25" LONG P/N WT066

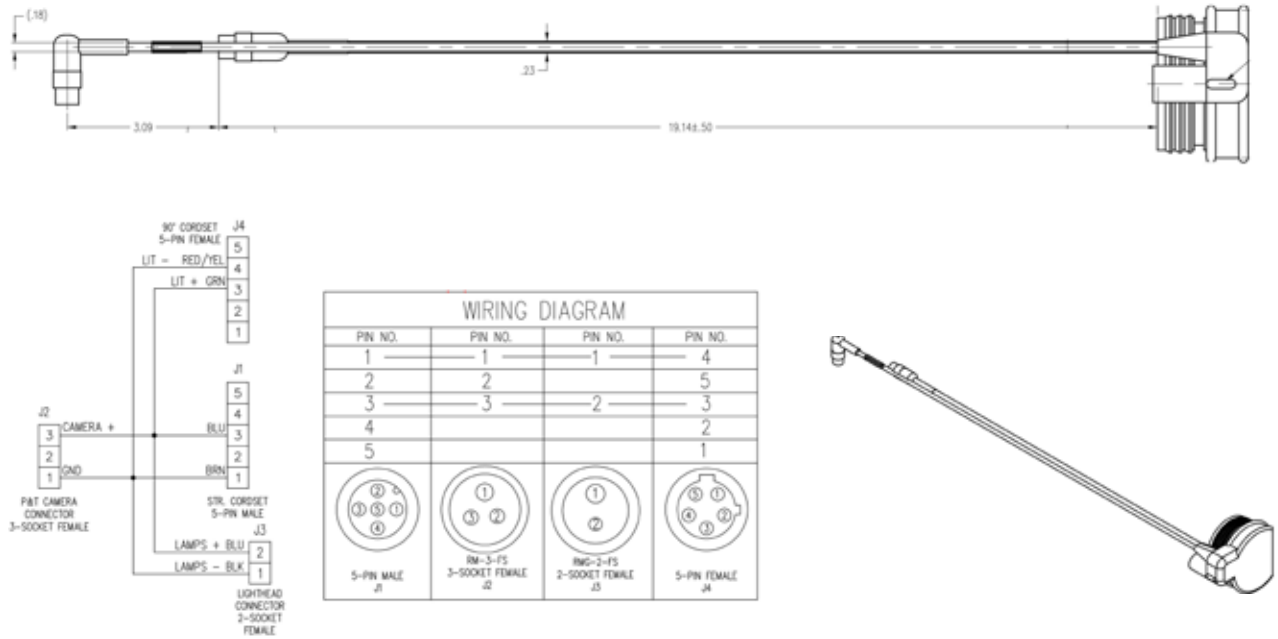


SINGLE CONDUCTOR Y-ELIMINATORS FOR SC2000 AND SCIII PIPE RANGERS WITH POWER LIFT

ASSOCIATED PARTS: Set screw #100099 x 3 to retain y-eliminator in camera end

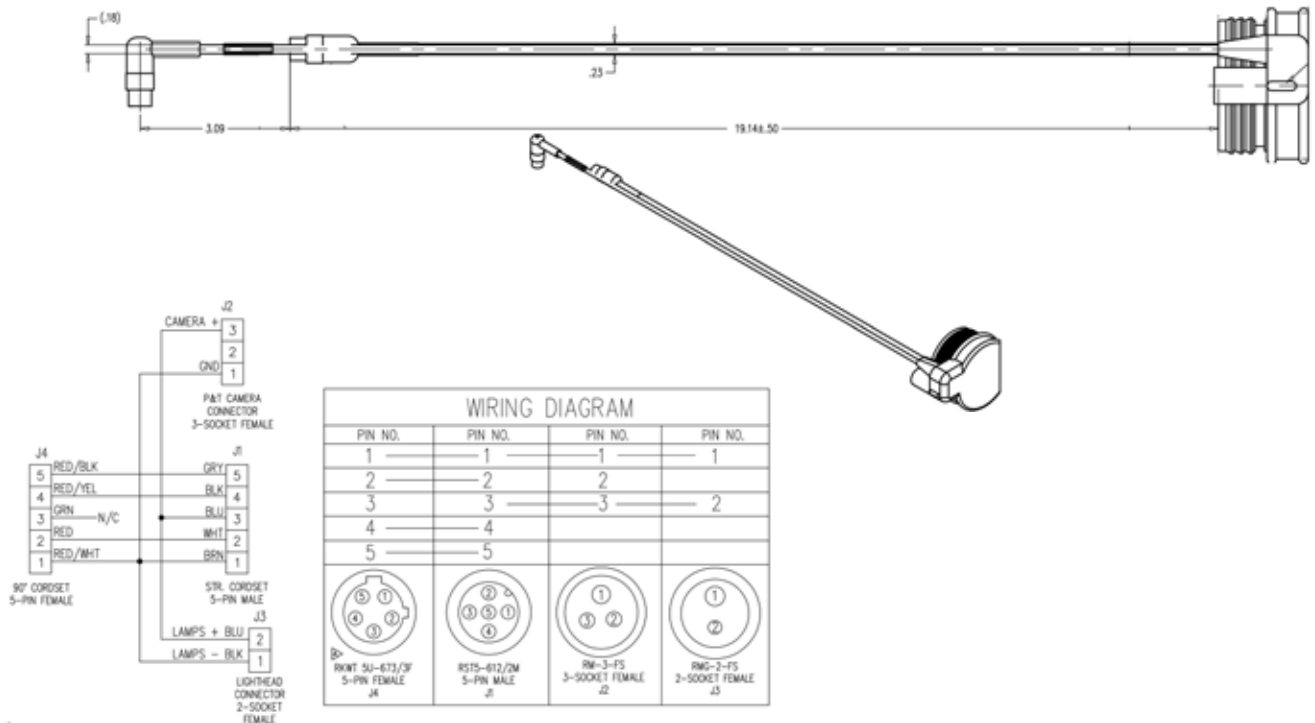
Y ELIMINATOR, S/C, W-TAP, PR W/ P-LIFT P/N WS051

(For SPR on SCIII System, use P/N WS052)



Y ELIMINATOR, S/C3, W-TAP, SPR, P-LIFT P/N WS052

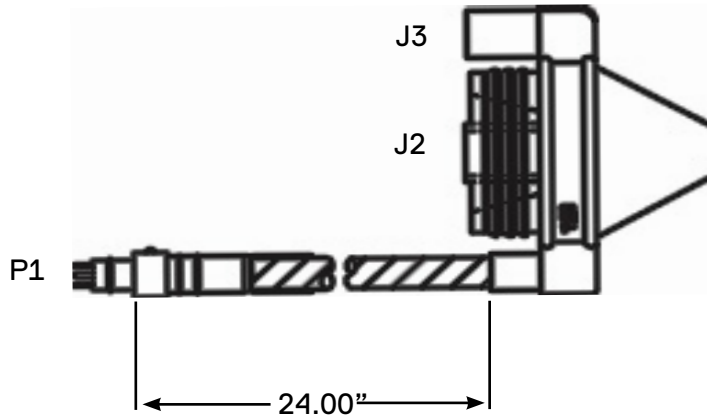
(For PR on SC2000 System, use P/N WS051)



SINGLE CONDUCTOR Y-ELIMINATORS FOR REVERSE WINCH SETUPS

Y ELIMINATOR, TV/SEAL, S/C, W/TAP

P/N: 770104

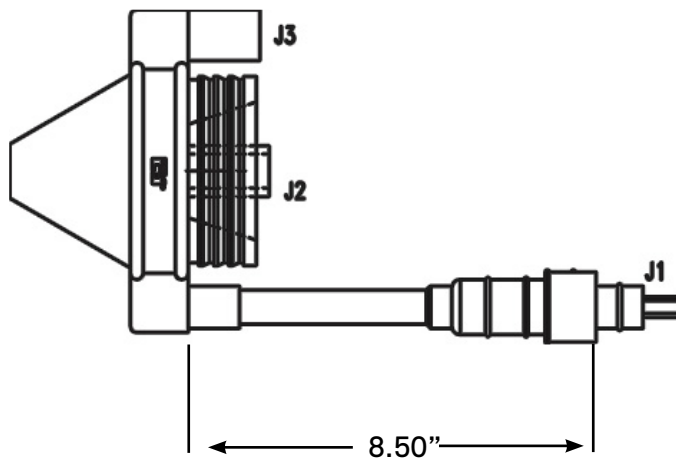


WIRING DIAGRAM					
P1	PIN NO.	J2	PIN NO.	J3	PIN NO.
	1		1		1
	2		3		2
	3		3		

<p>RMG-3-MP 3 PIN MALE</p>	<p>RMG-3-FS 3 PIN FEMALE</p>	<p>RMG-2-FS 2 PIN FEMALE</p>
--------------------------------	----------------------------------	----------------------------------

Y ELIMINATOR, S/C, CUTTER, CAM FIRST

P/N: KC011

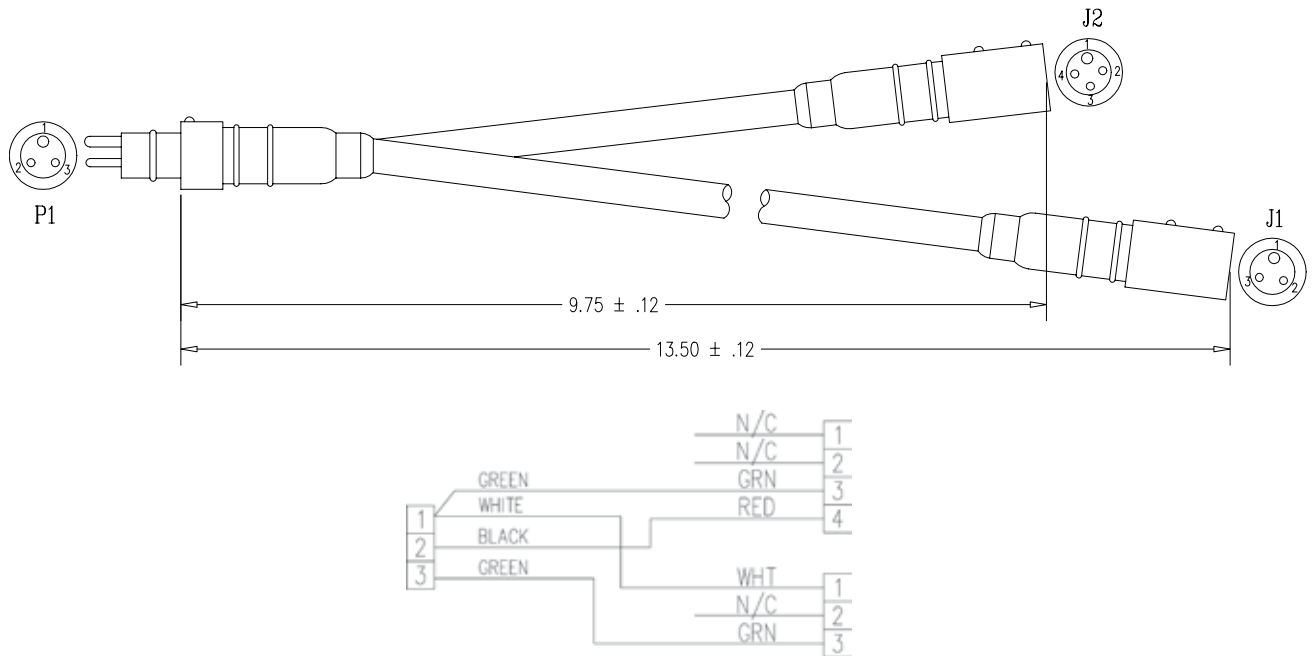


WIRING DIAGRAM					
J1	PIN NO.	J2	PIN NO.	J3	PIN NO.
	1		1		1
	2		2		2
	3		3		

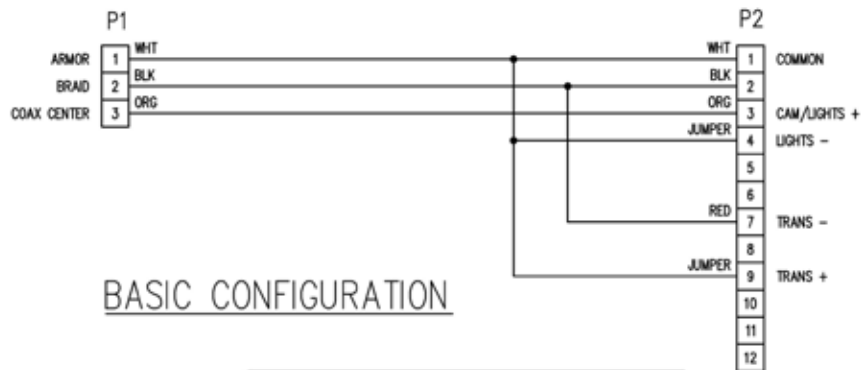
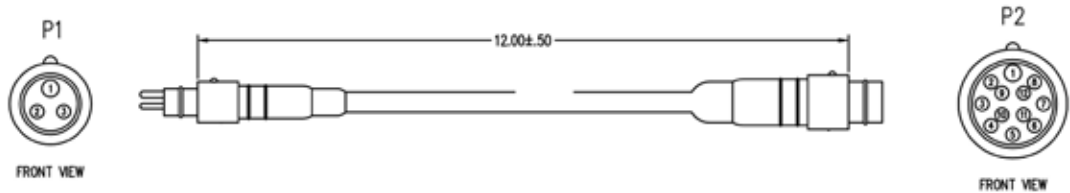
<p>CUES P/N 160532 3 PIN MALE</p>	<p>RM-3-FS 3 PIN FEMALE</p>	<p>RM-2-FS 2 PIN FEMALE</p>
---------------------------------------	---------------------------------	---------------------------------

SINGLE CONDUCTOR ADAPTER CABLES

CABLE ASSY, 3TO3/4, S/C SHORTY P/N: TR554



ADAPTER, CABLE, S/C 2000, PIPE RANGER P/N: WT071



CONFIGURATION LIST	
PART NUMBER	DESCRIPTION
WT071	ADAPTER, CABLE, S/C 2000, PIPE RANGER
WT071-1	ADAPTER, CABLE, S/C 2000 RST, PIPE RANGER

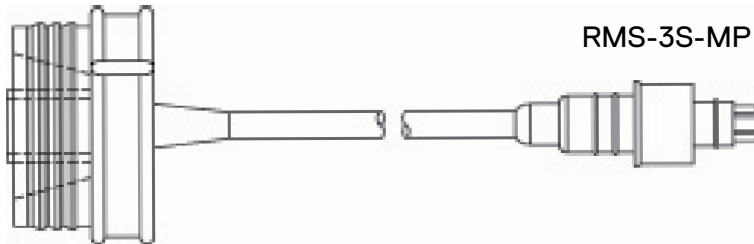
SINGLE CONDUCTOR Y-ELIMINATORS FOR SKIDS AND FLOATS - ALSO FOR SC2000 TRACKED TRANSPORTERS AND SCIII STEERABLE MUDMASTER

ASSOCIATED PARTS: Set screw #100099 x 3 to retain y-eliminator in camera end

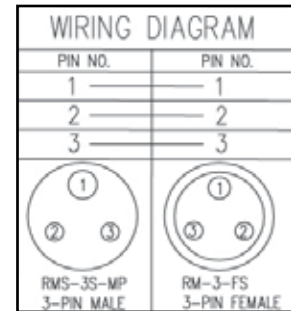
Y ELIMINATOR, S/C, P&T, FLAT, SHORTY

P/N: MC317

RM-3-FS



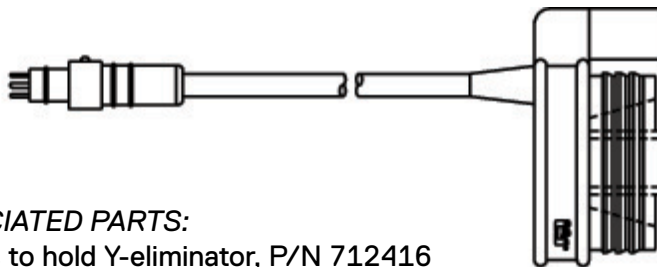
RMS-3S-MP



Y-ELIMINATOR, FLAT, W/TAP, 3PIN, S/C

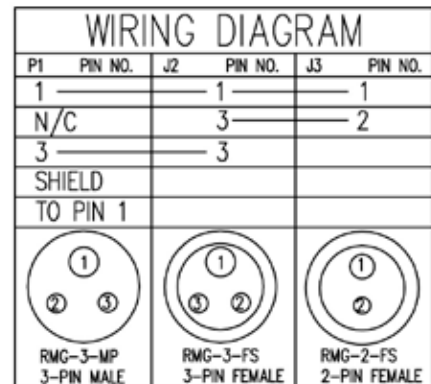
P/N: MC419

P1



J3

J2

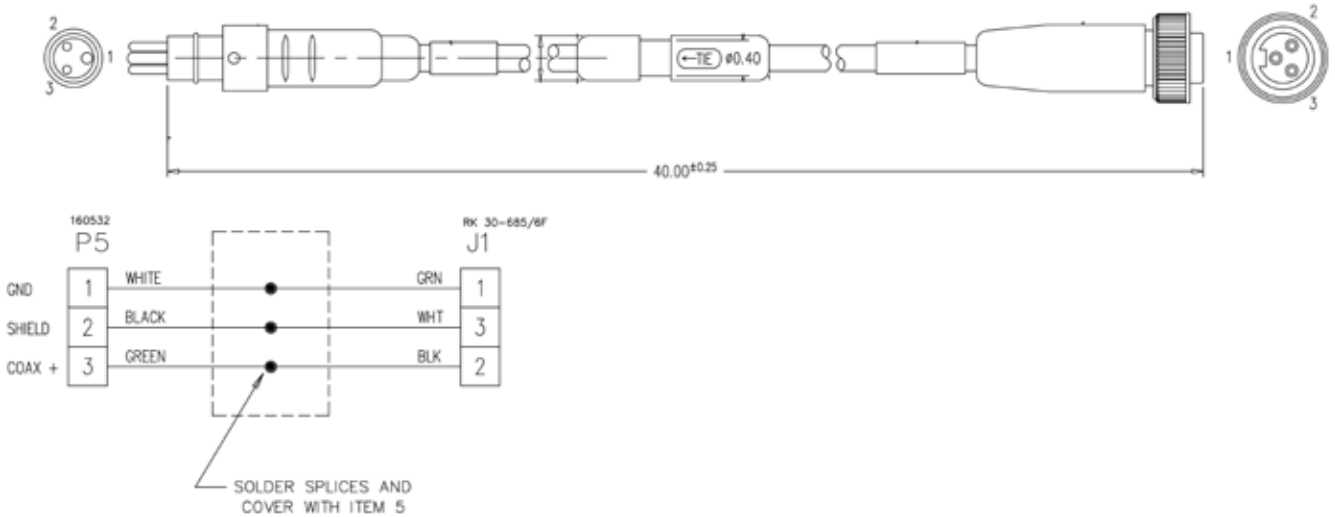


ASSOCIATED PARTS:

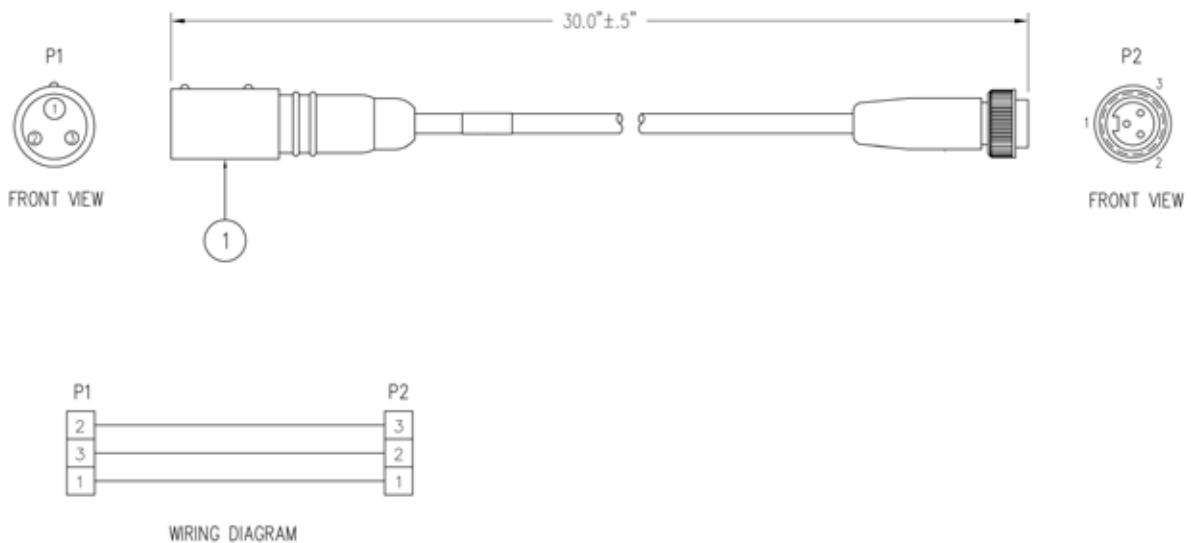
Screws to hold Y-eliminator, P/N 712416

SINGLE CONDUCTOR INTERCONNECT CABLES FOR SCIII STEERABLE MUDMASTER

CABLE,3-COND,POWER INPUT,SC3,SMM P/N: SC016



CABLE ASSY,SMM SCIII,Y-ELIM.TO P/S P/N: TM354



ADDITIONAL SMM SCIII INTERCONNECT CABLES - DRAWINGS NOT AVAILABLE AT THIS TIME

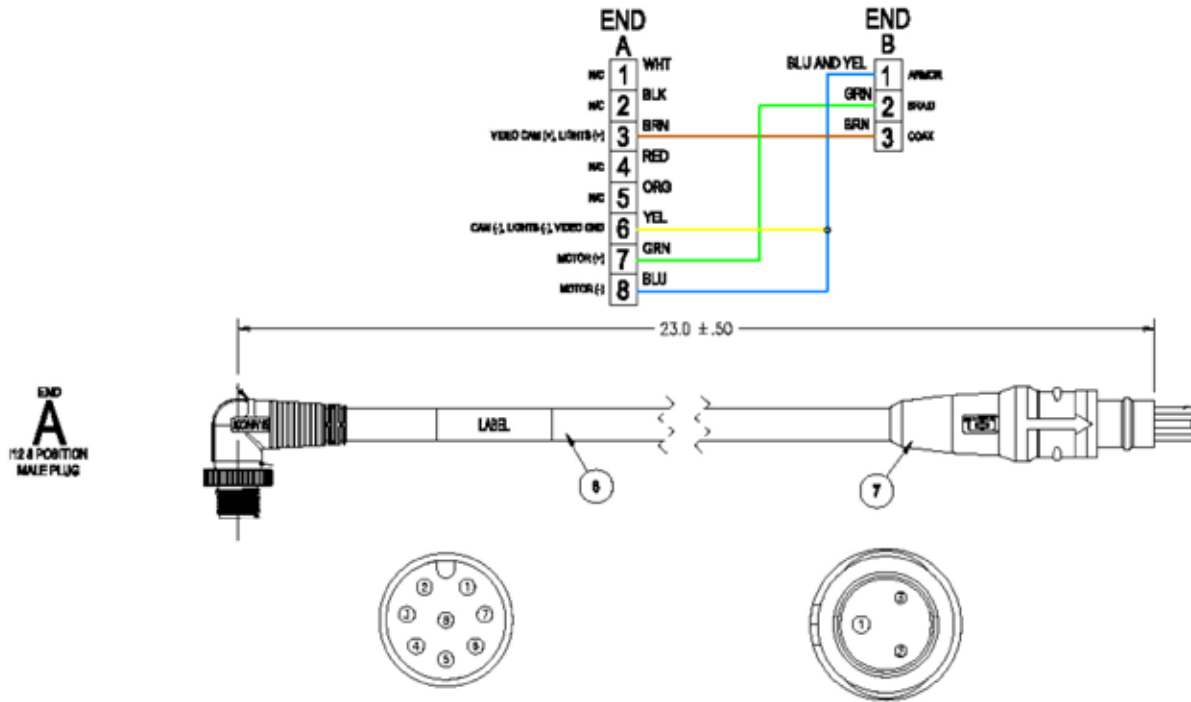
- CORDSET, 4-PIN, M>F w/ 90 DEGREE ENDS 3ft EC1171
(SMM SCIII POWER SUPPLY > TM661 XMSN)

- CORDSET, DOUBLE END, 5-PIN, MICRO, SQR, 3ft EC1172
(SMM SCIII POWER SUPPLY TO POWER LIFT)

SINGLE CONDUCTOR CABLES FOR OZIII ADAPTER TUBES
(when used with tracked transporters, skids, and floats)

CABLE ASSY, S/C, 3P>8P, WTRIII & USIII

P/N: TX344

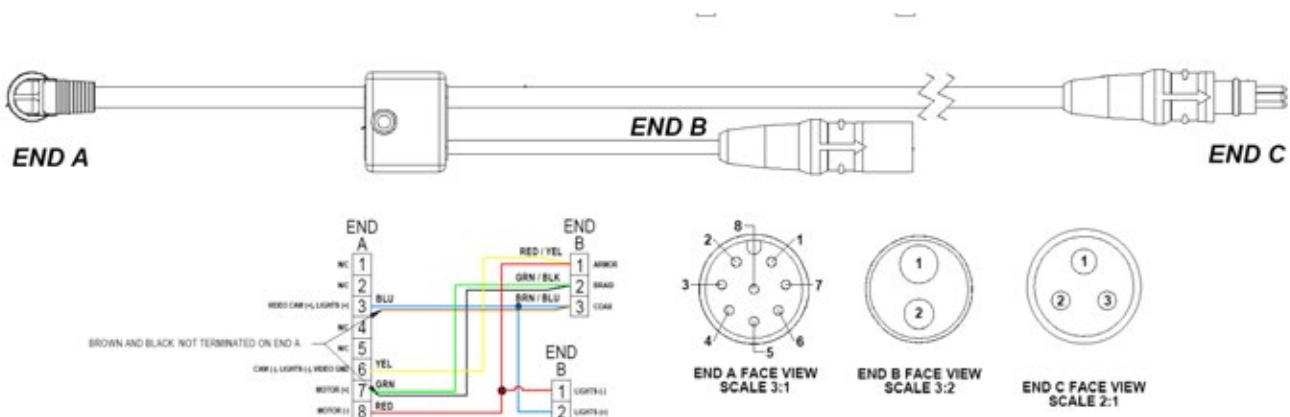


CABLE ASSY, S/C, 3P>8P, F/EXT. LIGHTING

P/N: TX344-1

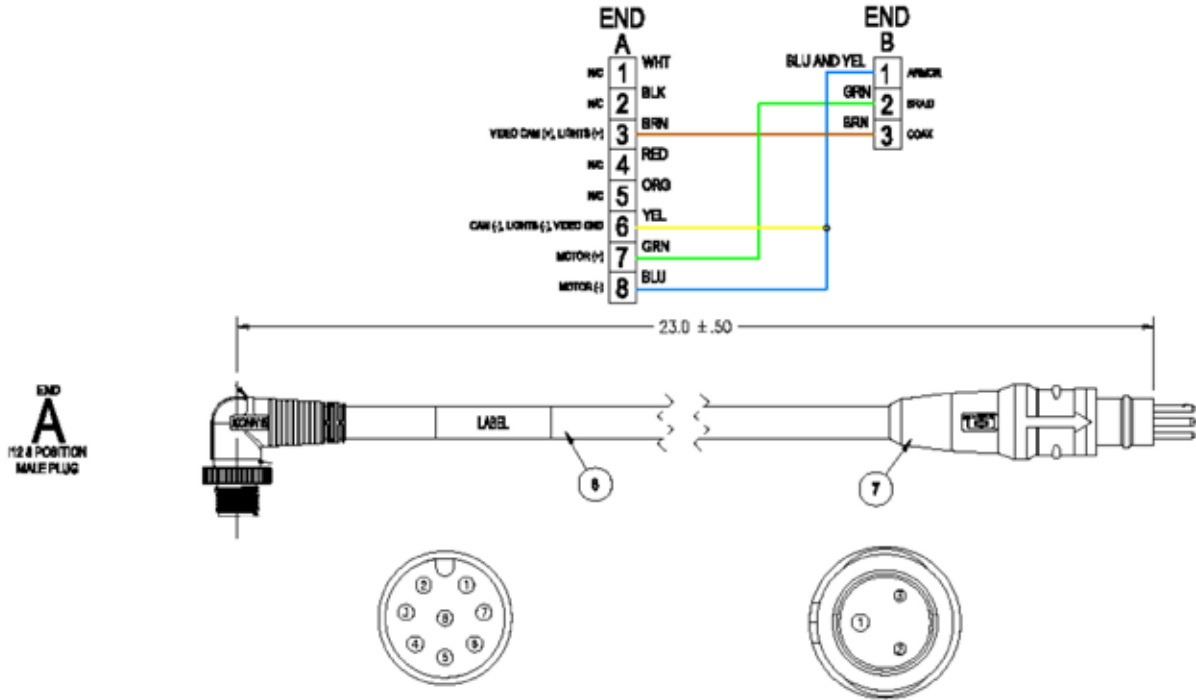
(with 2-pin tap for auxiliary lighting)

* Requires use of MZ134 bracket and HW134 screw for strain relief.



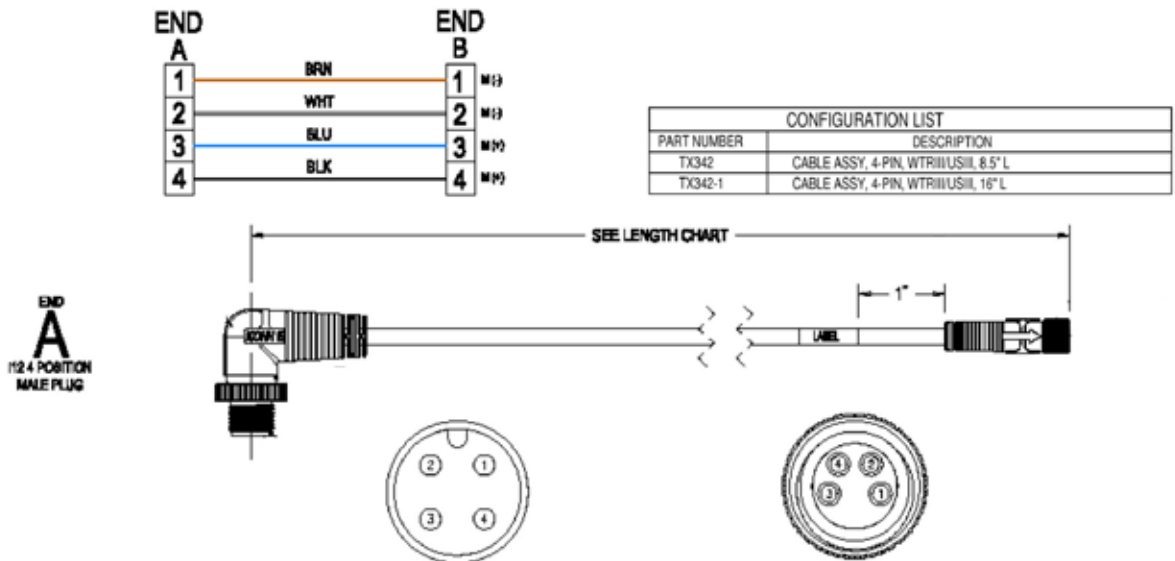
SINGLE CONDUCTOR CABLES FOR ULTRA SHORTY III AND WTR III

CABLE ASSY, S/C, 3P>8P, WTRIII & USIII P/N: TX344



CABLE ASSY, 4-PIN, WTRIII/USIII, 8.5" L P/N: TX342

CABLE ASSY, 4-PIN, WTRIII/USIII, 16" L P/N: TX342-1



OZIII ADAPTER CABLES

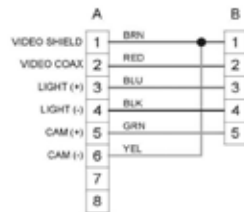
* For use with Pipe Rangers without a lift installed.

CABLE ASSY, OZ3, ADP >PR, W/O LIFT P/N: MZ346-4

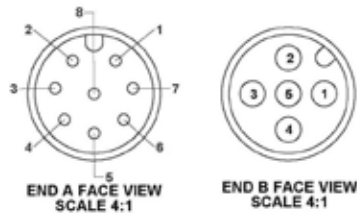
(MZ346-4 is for non-steerable applications)

CABLE ASSY, OZ3, ADAPTER, SPR, W/O LIFT P/N: MZ346-5

(MZ346-5 is for steerable applications - SEE LENGTH CHART BELOW)



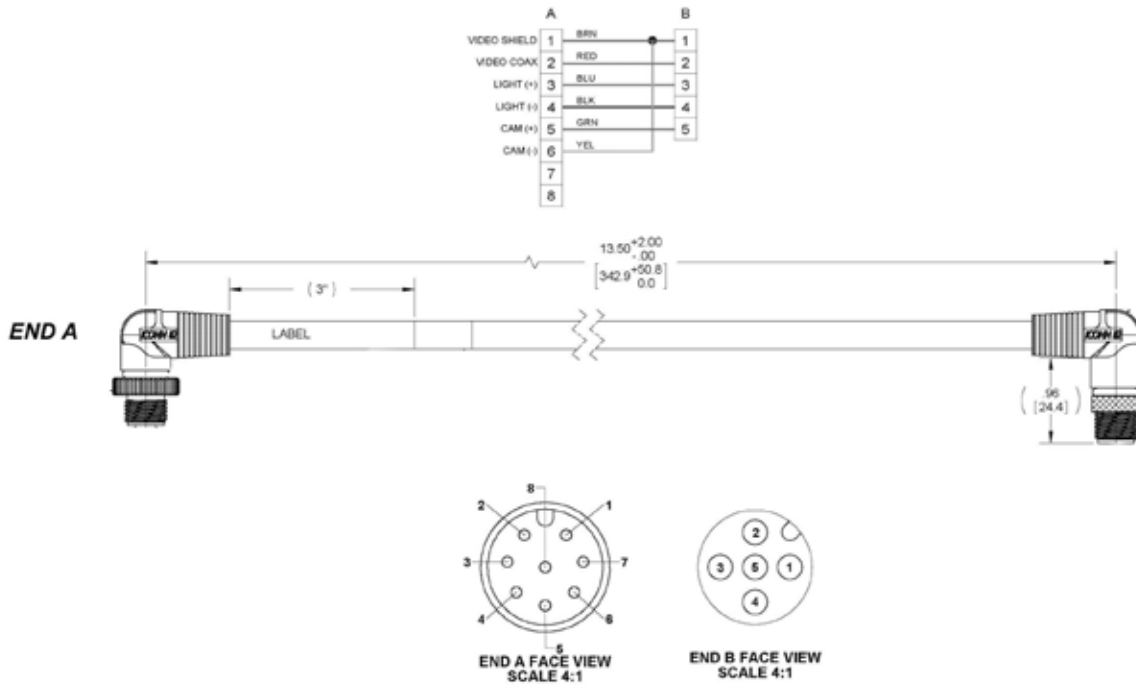
CUES P/N	DIMENSION RANGE	
MZ346-4	7.75	8.00
MZ346-5	8.25	8.50



OZIII ADAPTER CABLES

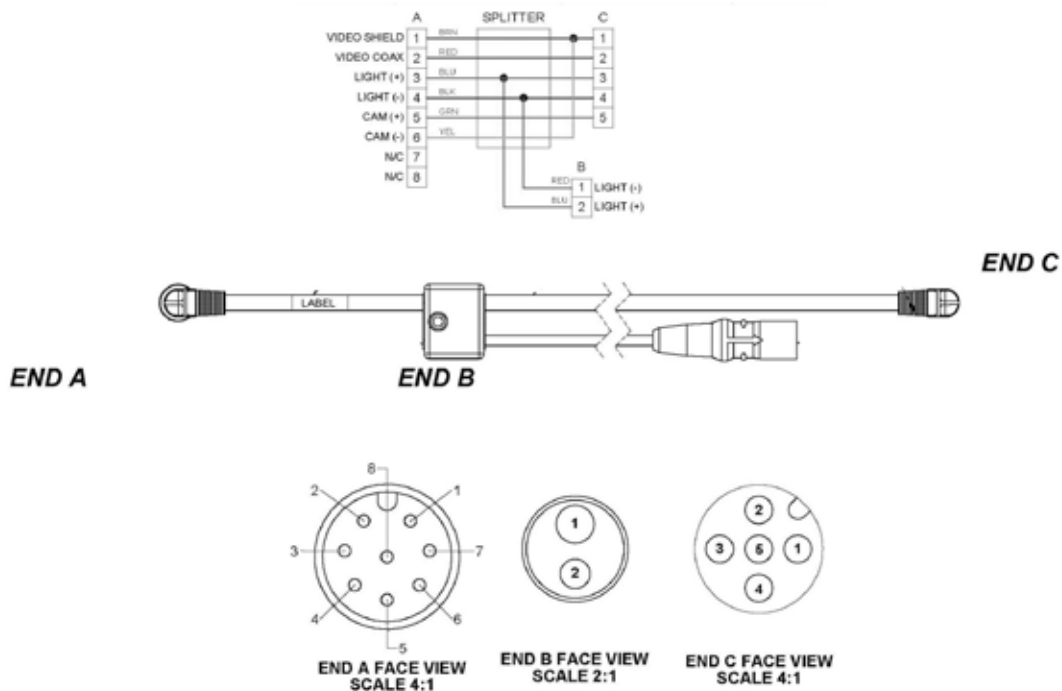
* For use with Pipe Rangers with manual lift installed.

CABLE ASSY, OZ3, ADP>PR, SPR, MAN LIFT P/N: MZ346



CABLE ASSY, OZ3 ADP>PR, MAN.LIFT-LGTS P/N: MZ346-1

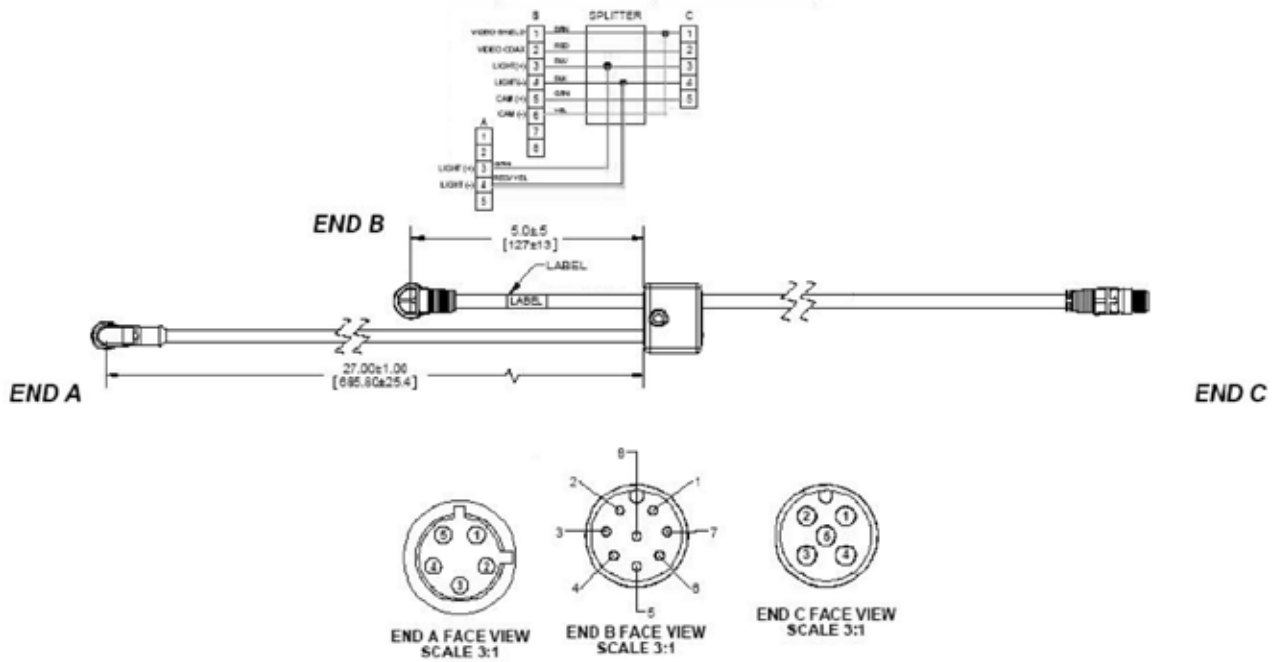
* With 2-pin tap for auxiliary lighting
(Requires use of MZ134 bracket and HW134 screw for strain relief)



OZIII ADAPTER CABLES

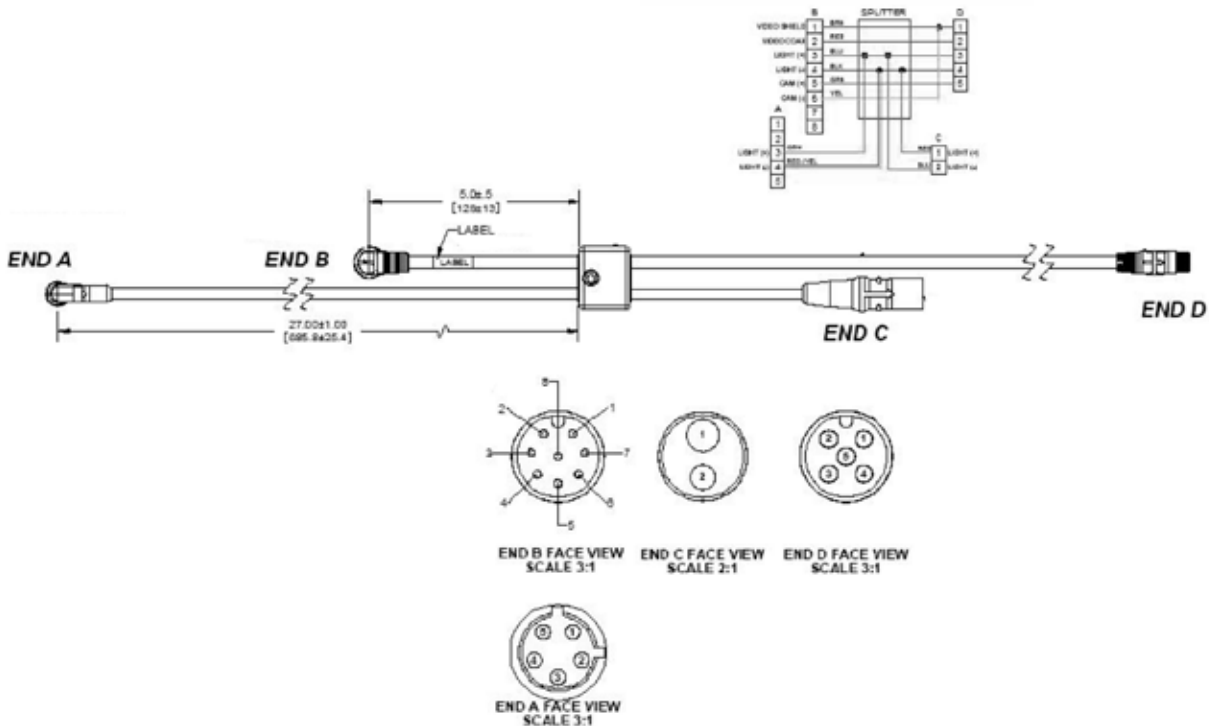
* For use with Pipe Rangers with power lift installed.

CABLE ASSY, OZ3 ADP>PR/SPR PLIFT P/N: MZ346-2



CABLE ASSY, OZ3 ADP>PR/SPR PLFT LGT P/N: MZ346-3

* With 2-pin tap for auxiliary lighting
(Requires use of MZ134 bracket and HW134 screw for strain relief)



OZIII ADAPTER CABLES

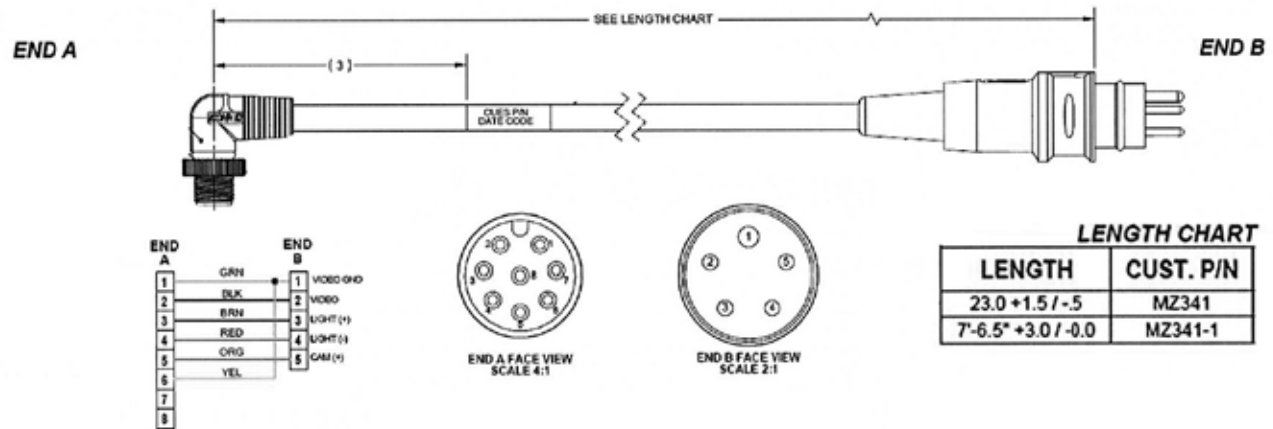
- * For use with skids, floats, and Ultra Shorty / Ultra Shorty 21 transporters.
- * The MZ341 series connects to a 5 and 4 pin mainline TV cable termination or a 12-pin termination when used with a 12-pin to 5/4 adapter.

CABLE ASSY, 5P>8P, OZIII-US 21, SKID P/N: MZ341

- * Used when auxilliary lighting is not required.

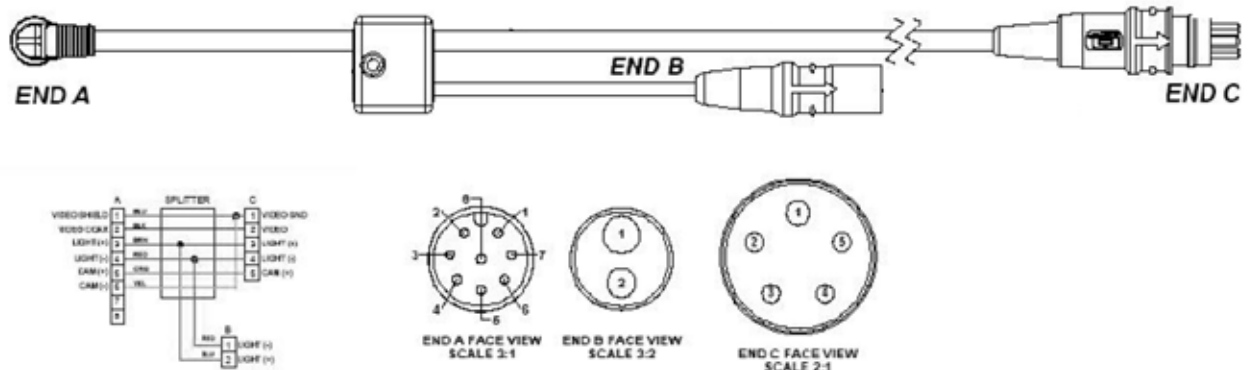
CABLE ASSY, OZ3 AD, CUTR, CAM 1ST, 90.5" P/N: MZ341-1

- * Used for reverse camera set-ups with a cutter or packer when auxiliary lighting is not required.



CABLE ASSY, OZIII, US21, SMM, EXT LGHT P/N: MZ341-2

- * Allows use of auxiliary lights on skids, floats, Steerable Mudmaster, & Ultra Shorty/Ultra Shorty 21.

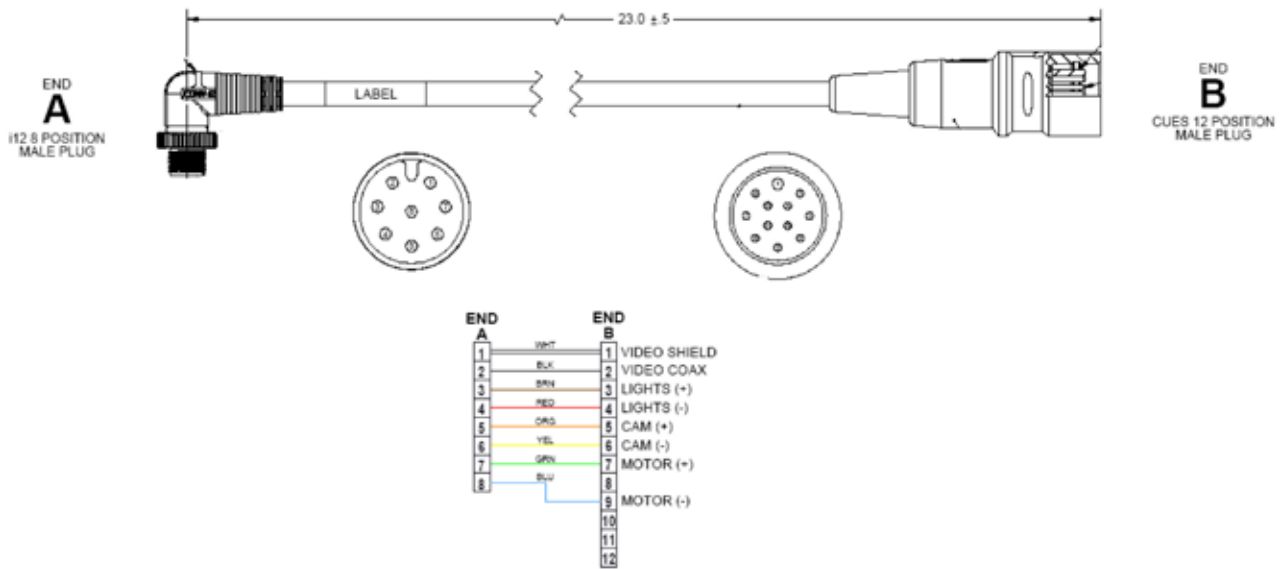


OZIII ADAPTER CABLES

- * For use with skids and floats.
- * The TX343 series connects the OZIII adapter tubes to a 12-pin mainline cable termination or a 5/4-pin termination when used with a 5/4-pin to 12-pin adapter P/N WT312.

CABLE ASSY, 12P>8P, WTR3/US3/OZ3 ADAP

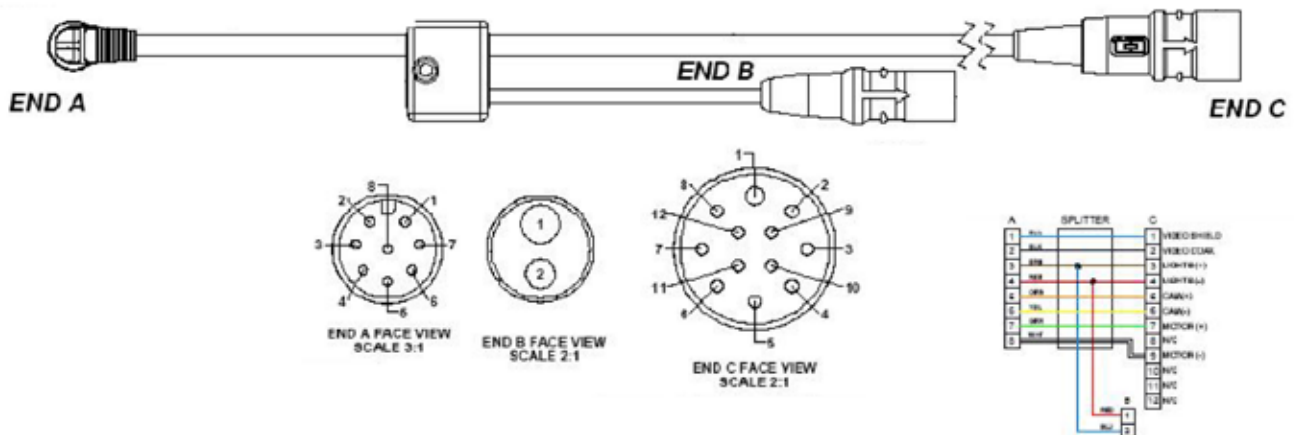
P/N: TX343



CABLE ASSY, 12P>8P, EXT LIGHT

P/N: TX343-1

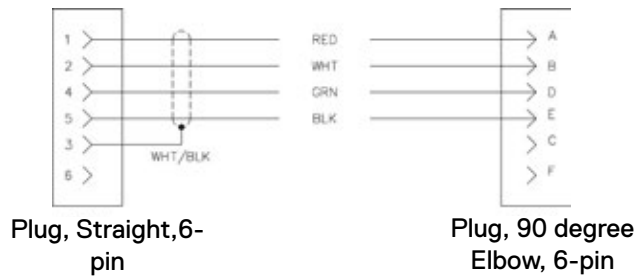
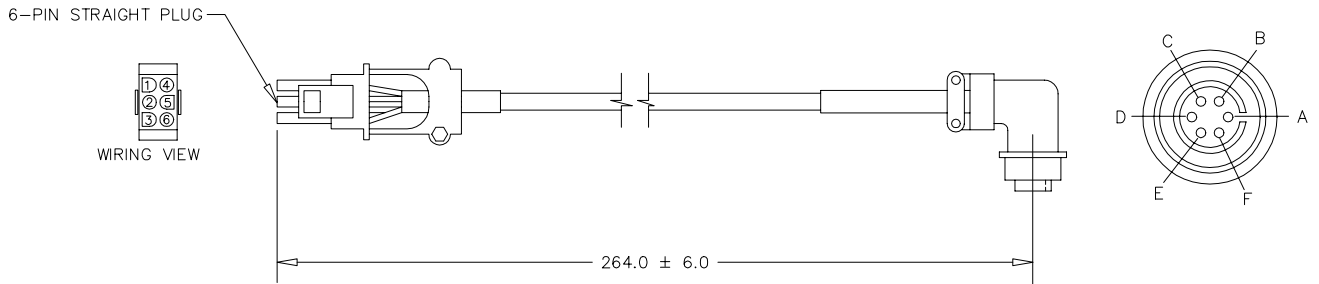
- * Allows use of auxiliary lights on skids, floats, and Steerable Mudmaster. (Requires use of MZ134 bracket and HW134 screw for strain relief)



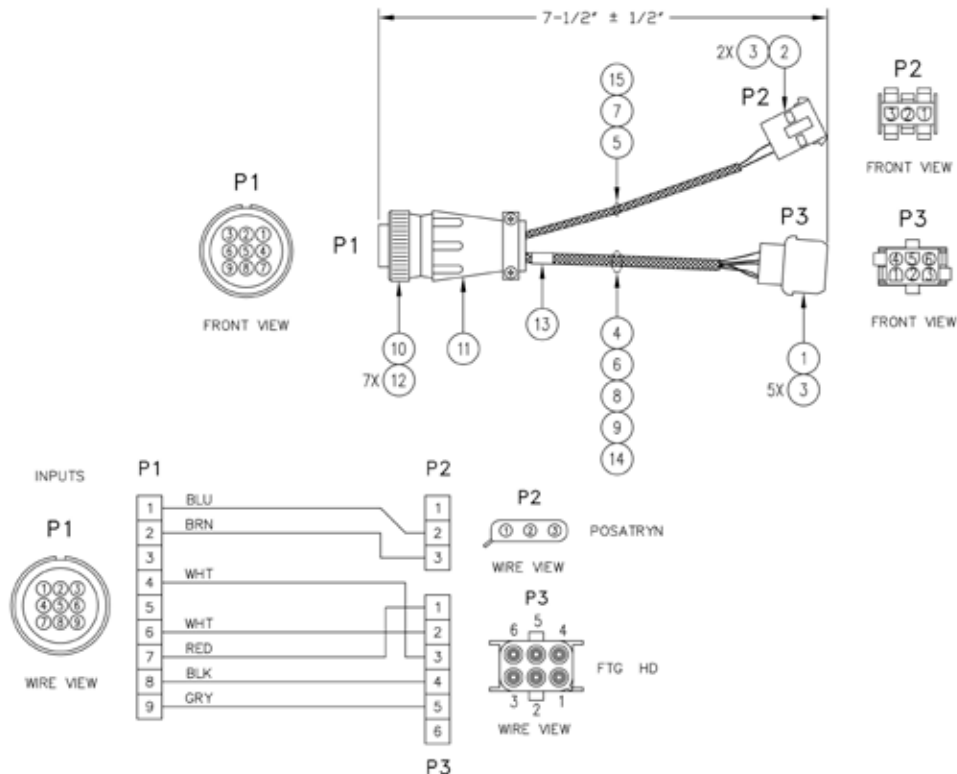
FOOTAGE AND AUTO-PAYOUT CABLES FOR LEGACY SYSTEMS
(1208 PCU WITH PRODATA TITLING SYSTEMS)

FOOTAGE METER CABLES

CABLE, FTGMTR TO TITLERS, 22FT P/N: 7133892



CABLE, Y, F-METER, TITLER AND POSATRYN P/N: 713375

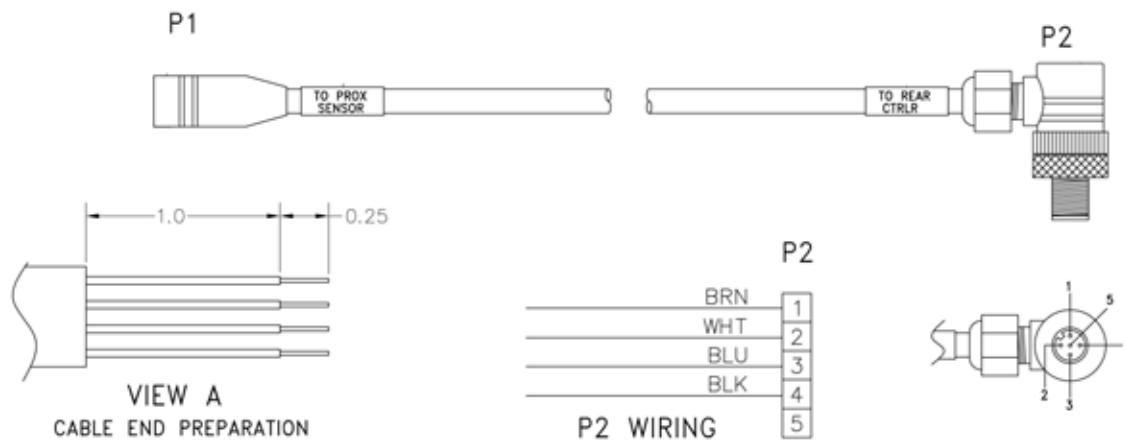


FOOTAGE AND AUTO-PAYOUT CABLES FOR LEGACY SYSTEMS
(1208 PCU WITH PRODATA TITLING SYSTEMS)

PAYOUT SENSOR CABLES

CABLE, POWER PAYOUT PROX SENSOR

P/N: RL362



SENSOR, PROXIMITY, 8MM, EXT. RANGE

P/N: EC1377

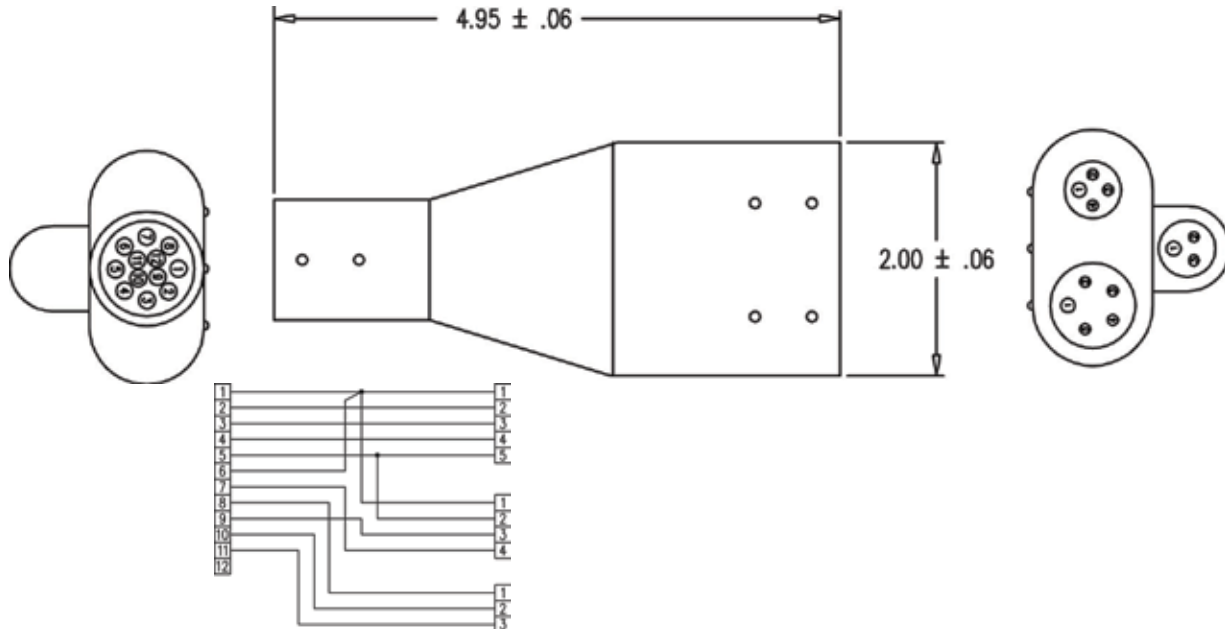


TEST CABLES

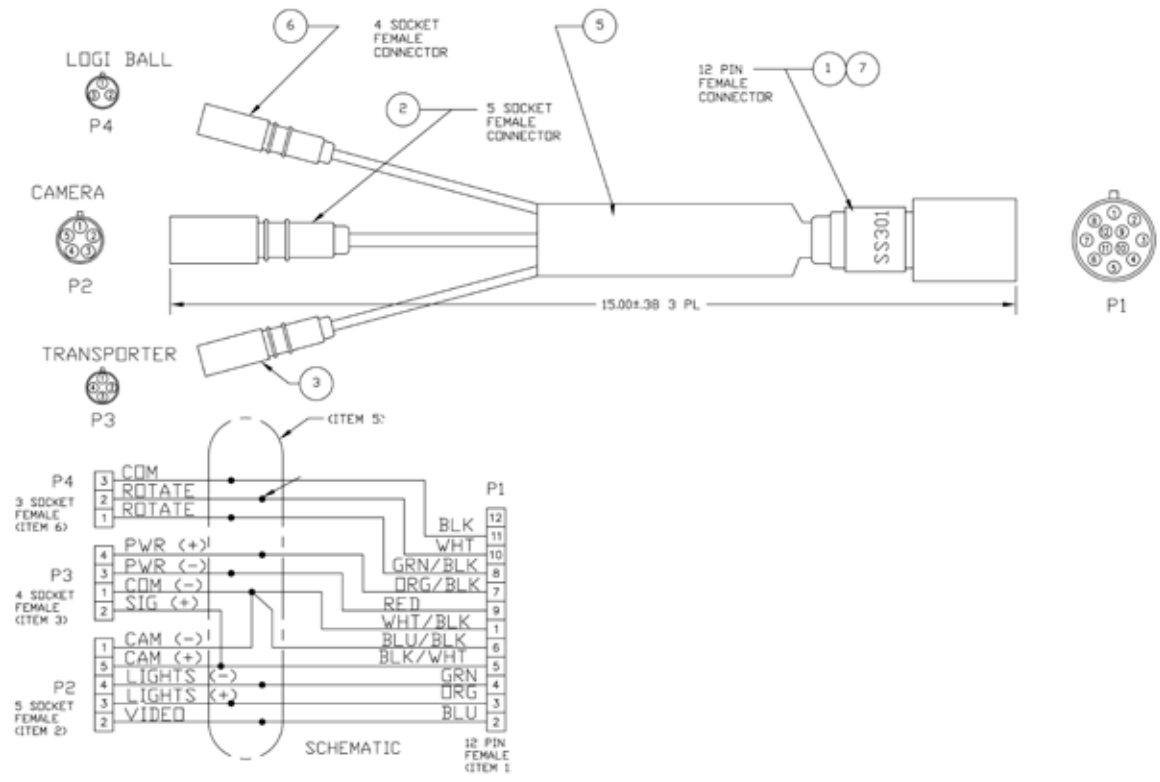
TYPE	P/N	DESCRIPTION
INSPECTOR GENERAL:		
Cable Assy, Test, Iggy/PSCam,w/CX1	SM345	
Test Cable, Iggy/ProScout Cam	SM343	Old camera with Orange 5-pin pigtail
Test Cable Assy, Iggy/Camera	SM342	PCU with Std. 5 + 4 pigtails
Test Unit, Diagnostic, Truck	TB301	Operation Indicator Lights
K2/Summit /OZIII		
Test Cable,K2,Tv 12P Female Pigtail	MD327	
Test Cable,M/C,5-Pin To OZIII Camera	MZ306	
Test Cable,M/C,12-Pin To OZIII Camera	MZ306-1	
Test Cable,Iggy PCU/P&T Cam & Trans	SM342	
TRUCK PCU / CAMERA:		
Cable, Test, 1208 PCU/Camera	7133671	M/C PCU to Straight-line camera
Cable, Test, 1210 PCU/Camera	7133831	S/C PCU to Straight-line camera
Cable, Test, M/C P&T 5-PIN	713394	M/C PCU to a P&T camera
Test Unit, Diagnostic, Truck	TB301	Operation Indicator Lights
Test Cable,M/C,5-PIN to OZIII Camera	MZ306	
M/C TEST CABLES:		
Cable, Test, M/C, PCU/Camera	7133671	
Cable, Test, M/C, PCU/P&T Camera	713394	
Test Cable For IGGY	SM342	
Test Unit, F/M/C 4/5, Breakout	TB304	In-line meter reading
Test Unit, F/M/C 12 Pin, Breakout	TB305	In-line meter reading
Cable, Test, For M/C Transducer	0304500	
TEST CABLE,M/C,5-PIN TO MML CAMERA	MZ306	
S/C TEST CABLES:		
Cable, Test, S/C, PCU/Camera	7133831	
Cable,Test, For S/C Shorty System	MC302	
CUTTER:		
Cable Assy, Test, Cutter	8909	
Test Unit, Diagnostic, Cutter	TB303	Operation Indicator Lights
ULTRA SHORTY:		
Cable, Test, for SINGLE CONDUCTOR Shorty System	MC302	S/C Shorty System

ADAPTERS

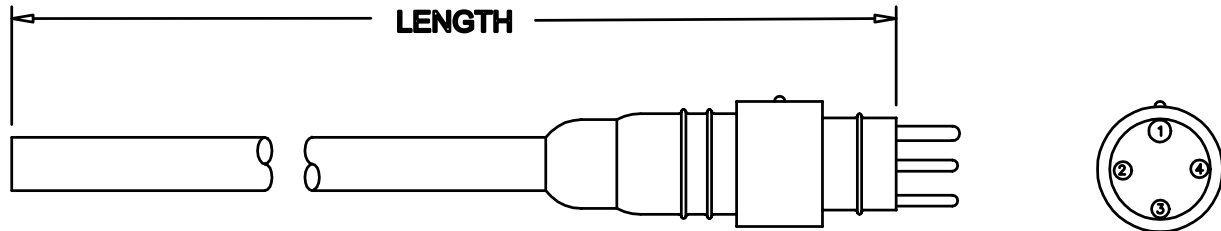
CABLE ASSY, 12/5/4/3, BLUE, LOGIBALL P/N: SS311



CABLE ASSY, 12 TO 5/4/3, M/C P/N: SS301



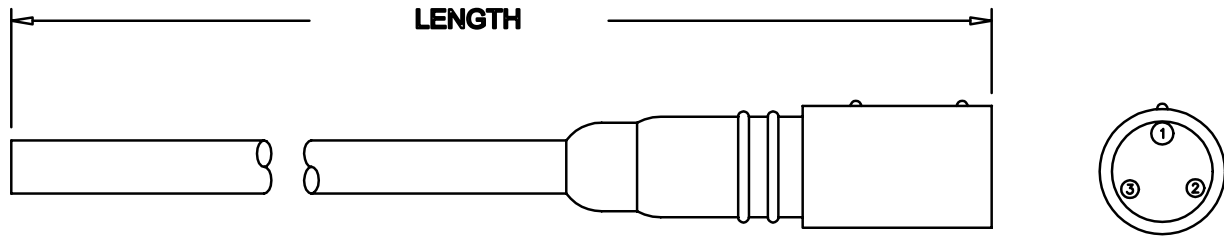
MALE PIGTAILS



4-pin MALE

DESCRIPTION	P/N	LENGTH (inches)
Pigtail,2-Pin Male	160522	24 +/- 1
Pigtail,3-Pin Male	160532	24 +/- 1
Pigtail,3-Pin,M>F F/S/C Scissor	770117	16 +/- .25
Pigtail,4-Pin Male 5'	160539	5 +/- 1
Pigtail, Male,4-Pin	160537	18 +/- 1
Pigtail,5-Pin Male	160552	20 +/- 1
Pigtail,5-Pin Male GI20k5p-M	EC117	
Pigtail,5-Pin,M>F F/M/C Scissor	770116	19 +/- .25
Pigtail,5p-M,Small Dia Cable,Koala	TK044	36
Pigtail,6-Pin Male F/Mini Scout	160560	18 +/- 1
Pigtail,7pin Male,90,3',Brad H.	EL953	
Pigtail,8pin-Male Right Angle,2mlg	EC281	
Pigtail,12-Pin Male 90,3',Brad H.	EL927	
Pigtail,12-Pin Male,Lumberg	RT120	
Pigtail,12pin,Male,Bradh 47408	EC302	
Pigtail,12pin,Male,W/Female Pin	770001	10 +/- 1
Pigtail,Cable 6-Pin To Mini-Cam	160558	12

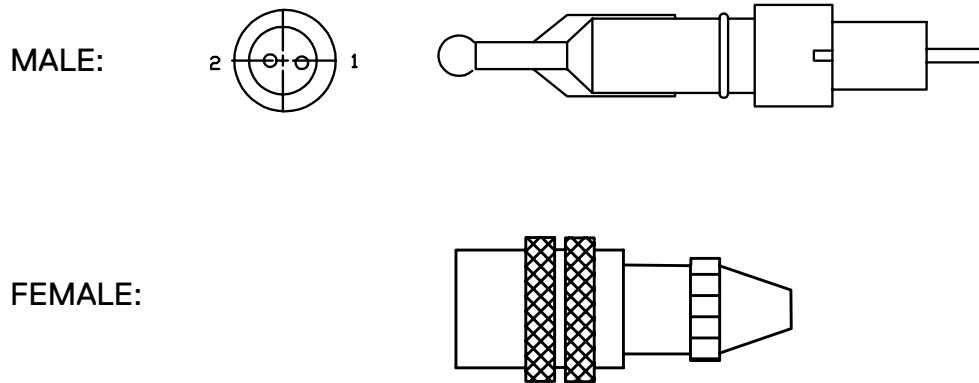
FEMALE PIGTAILS



3-pin FEMALE

DESCRIPTION	P/N	LENGTH (inches)
Pigtail,2-Pin Female	160521	32 +/- 1
Pigtail,2p-F,32"Lg,Rover	160521R	
Pigtail,3-Pin Female	160531	18 +/- 1
Pigtail,3-Pin Female Bh	715088	
Pigtail,3-Pin,M>F F/S/C Scissor	770117	16 +/- .25
Pigtail,3pin Pico,Female,Rev Sex	EC217	
Pigtail,4-Pin Female	160534	12 +/- 1
Pigtail,4-Pin Female Polyurethane	160565	18 +/- 1
Pigtail,5-Pin Female	160551	43 +/- 1
Pigtail,5-Pin Male GI20k5p-M	EC117	
Pigtail,5-Pin,M>F F/M/C Scissor	770116	18 +/- 1
Pigtail,Reel,5pin,Female/Proscout	7129	
Pigtail,Micro,5pin,F,Str.,22awg,15m	EL732	
Pigtail,6-Pin Female Small	160555	
Pigtail,Cable 6-Pin Female	160561	18 +/- 1
Pigtail,Cable 6-Pin To Mini-Cam	160558	12
Pigtail,8-Cond Slipping 1200	7308660	
Pigtail,12 Pin,Female,W/Male Pins	770002	30 +/- 1
Pigtail,12-Cond Slipping 1200	7308680	
Pigtail,12-Pin Female,90,3',Brad H.	EL928	
Pigtail,12-Pin Female,Lumberg	RT119	
Pigtail,Reel,5pin,Female/Proscout	7129	

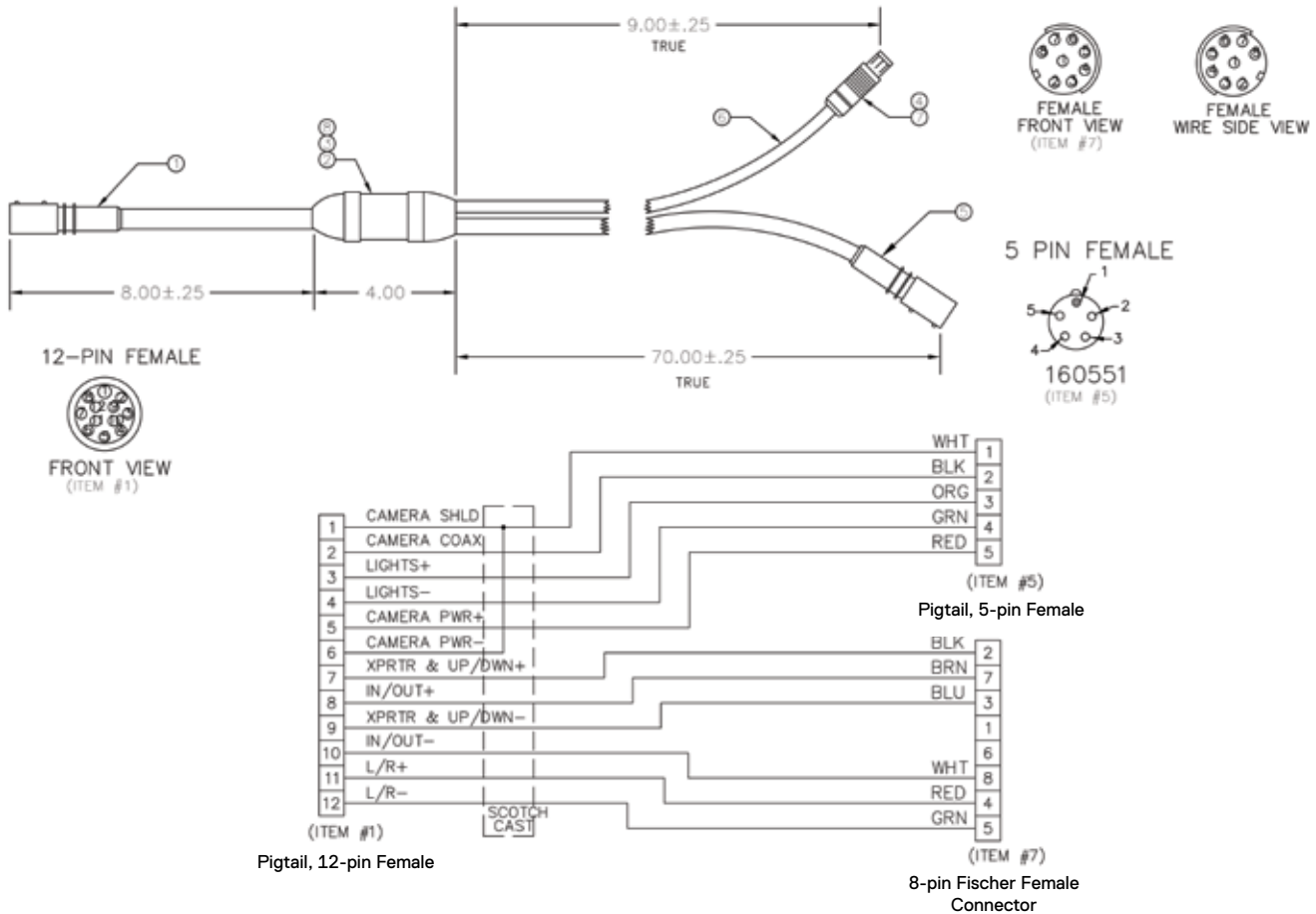
DUMMY PLUGS



DESCRIPTION	P/N
Dummy Plug,2-Pin Female	1606230
Dummy Plug,2-Pin Male	160523
Dummy Plug,3-Pin Male	160533
Dummy Plug,4-Pin Male	160536
Dummy Plug,5-Pin Male	160553
Dummy Plug,6-Pin Male	160545
Dummy Plug,F/Transporter Cable	160013
Dummy Plug,Female W/Male Pins(12)	MS035
Dummy Plug,Shorting,3-Pin Male	160656

CUTTER CABLES, MULTI-CONDUCTOR

P/N	DESCRIPTION	DIMENSIONS		CONFIGURATION
		"A"	"B"	
KC010	CABLE ASSY,CUTTER,M/C,9"CUT/70"CAM	9" +/- .25"	70" +/- .25"	Camera First
KC014	CABLE ASSY,CUTTER,M/C,9"CAM/70"CUT	70" +/- .25"	9" +/- .25"	Cutter First



3 PIECE MULTI-CONDUCTOR CUTTER/CAMERA/CABLE CONFIGURATIONS
(ALL REQUIRE KC301 12/5/6 ADAPTER BLOCK)

KC301 ADAPTER CABLE, YELLOW, 12/5/6, CUTTER (SHOWN ON OPPOSITE PAGE)

CAMERA FIRST SETUP CABLES

SHORT CUTTER LEAD

KC302 CABLE ASSY, 6P / 8P FISCHER, 15.25" LG, CT

LONG CAMERA LEAD

KC303 CABLE ASSY, 5M / 5F, 76.25" LG, CAMERA

713395 CABLE, 5FT EXT 5PIN M TO 5PIN F

CUTTER FIRST SETUP CABLES

SHORT CAMERA LEAD

KC304 CABLE ASSY, 5M/5F, 15.25" LG, CAMERA

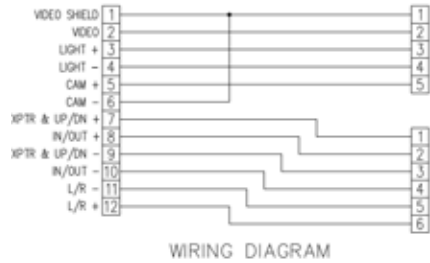
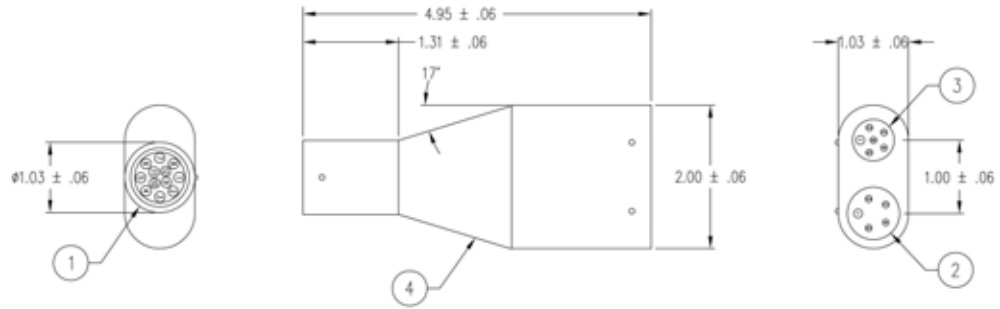
LONG CUTTER LEAD

KC305 CABLE ASSY, 6P/8P FISCHER, 76.25" LG

KC305-1 CABLE ASSY, 6P/8P FISCHER, 106.25"

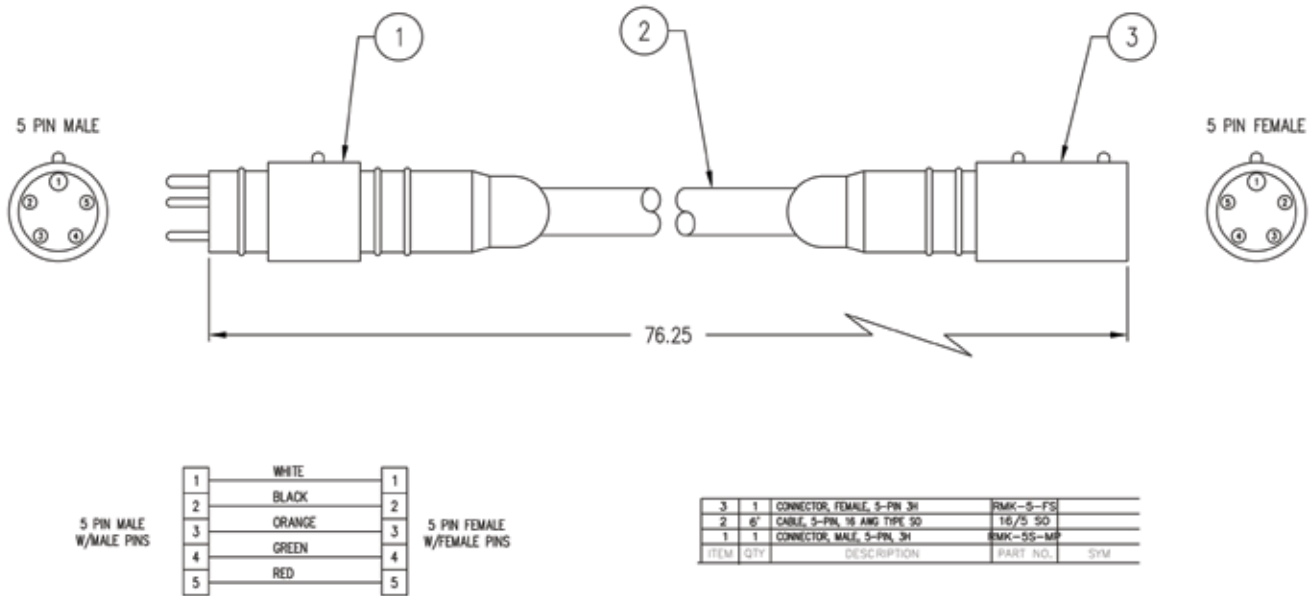
CUTTER CABLES, MULTI-CONDUCTOR

ADAPTER CABLE, YELLOW, 12/5/6, CUTTER, P/N: KC301

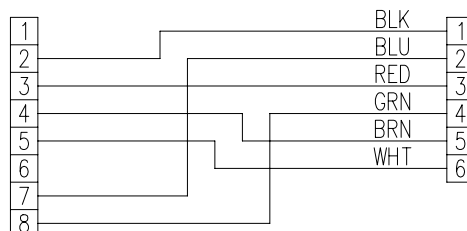
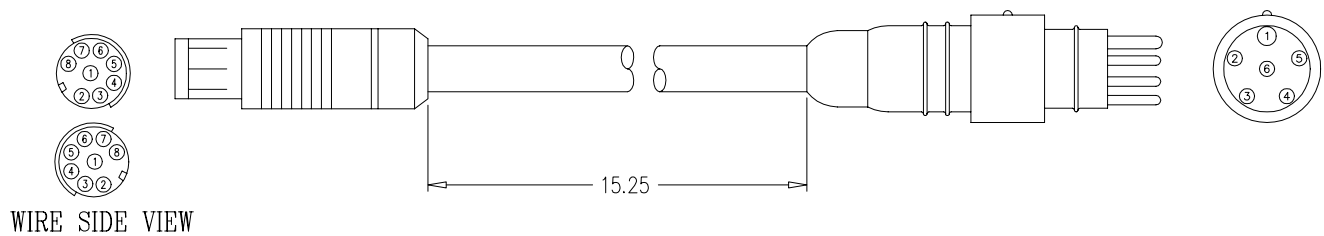


CUTTER CABLES - KANGAROO

CABLE ASSY, 5M/5F, 76.25"LG, CUTTER, P/N: KC303

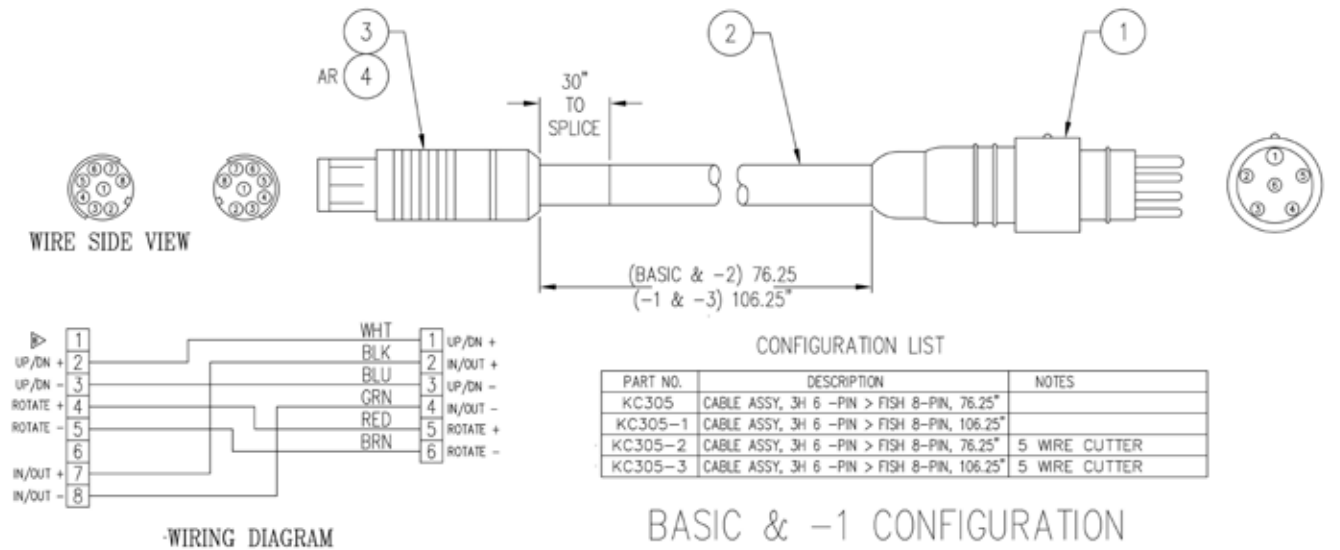


CABLE ASSY, 6P/8PFISCHER, 15.25"LG, CT, P/N: KC302

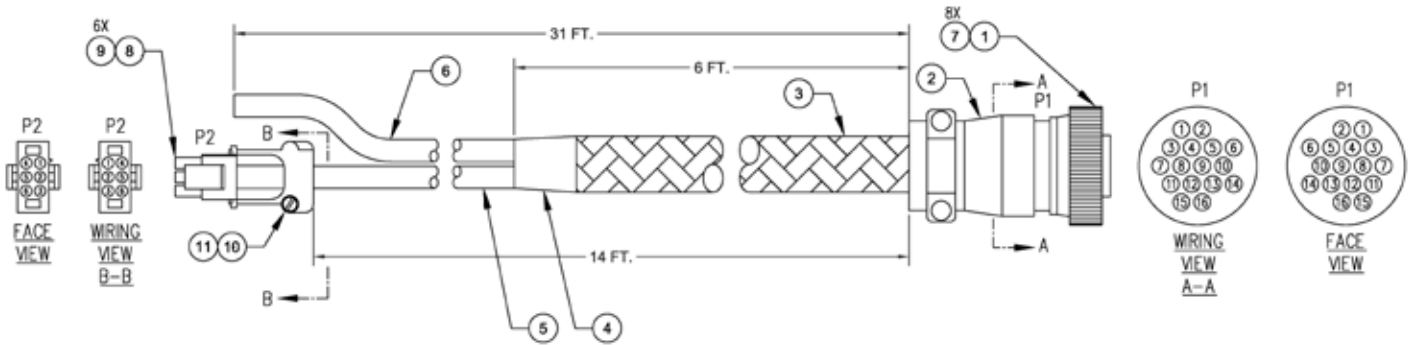


CUTTER CABLES - KANGAROO

CABLE ASSY, 6P/8PFISCHER, 76.25"LG, P/N: KC305, BASIC AND -1 CONFIGURATIONS

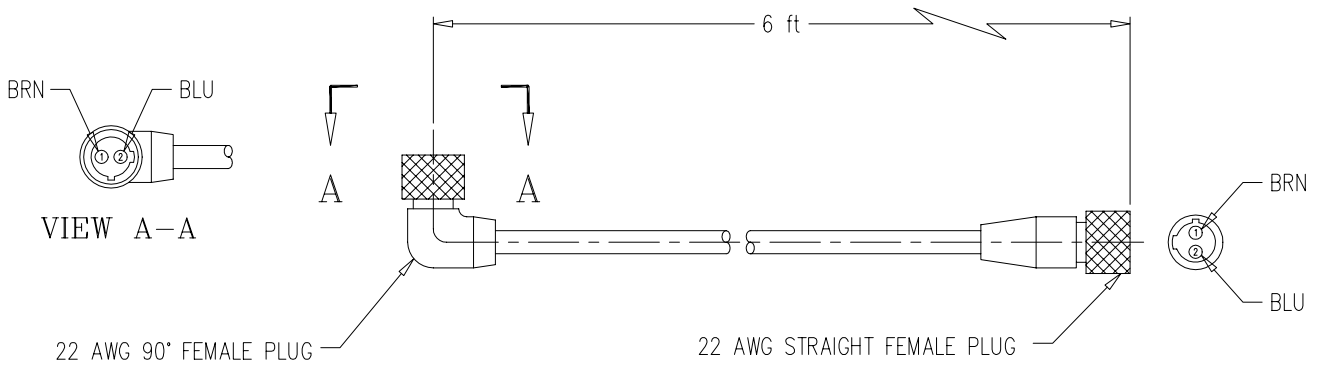


CABLE ASSY, CONT/ SLIP RING/ SOL P/N 8958



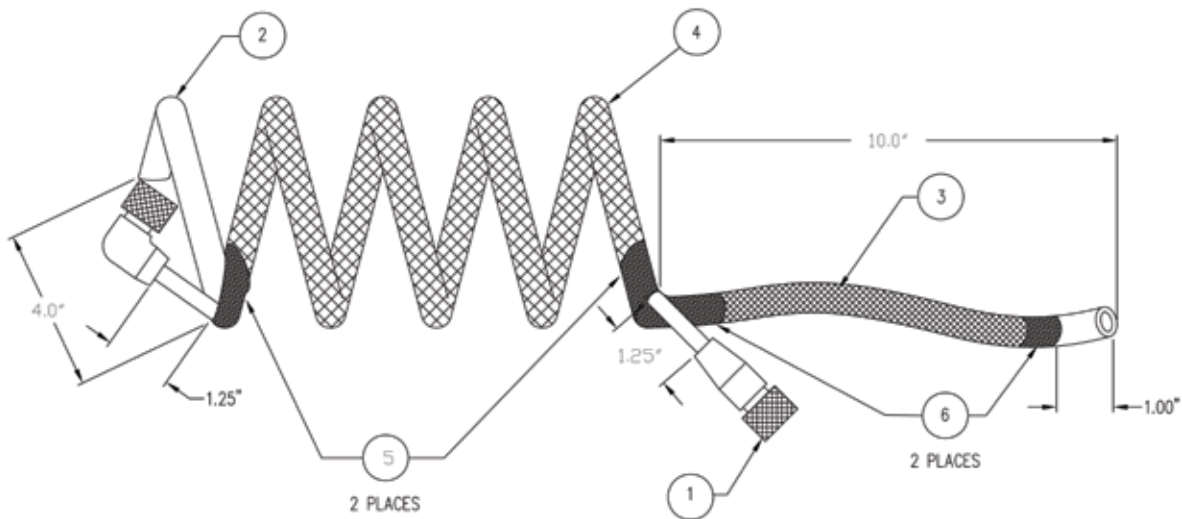
CUTTER CABLES - KANGAROO

CABLE, POWER QUICK DISCONNECT, P/N: KC017



* Used in KC018 Cable / Hose Assembly on P/N 8963 UP / Down Assembly

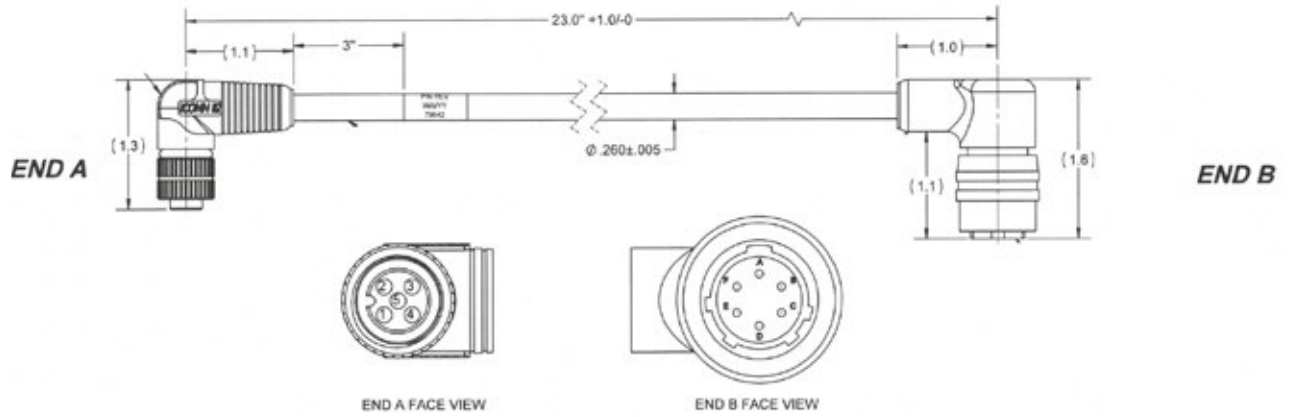
CABLE/HOSE ASSY, K. CUTTER, P/N: KC018



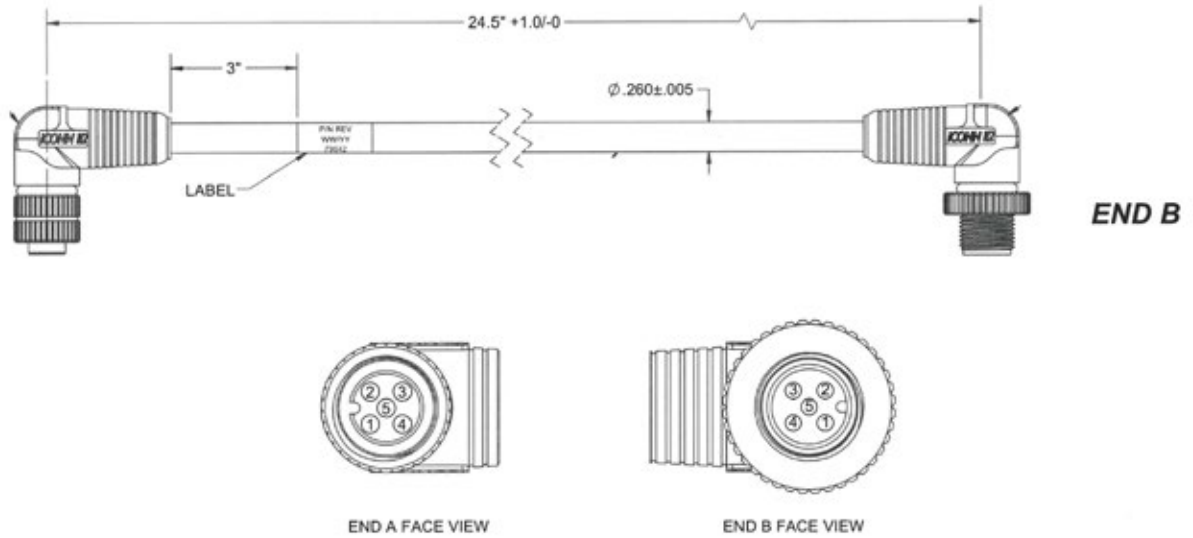
6	4"	TUBE, SHRINK, BLACK 3/16-1/2"	712572
5	4"	TUBE, SHRINK, BLACK 3/4"	712579
4	8"	TUBE, EXPANDABLE 1/2 W/IN	165505
3	9"	TUBE, EXPANDABLE 3/8 W/IN	015023
2	83.5"	HOSE, AIR, COLD	8931
1	1	CABLE, POWER QUICK DISCONNECT	KC017
ITEM	QTY	DESCRIPTION	PART NO.

CUTTER CABLES - CURRAHEE

CABLE, CAMERA INTERCONNECT, P/N: CK176

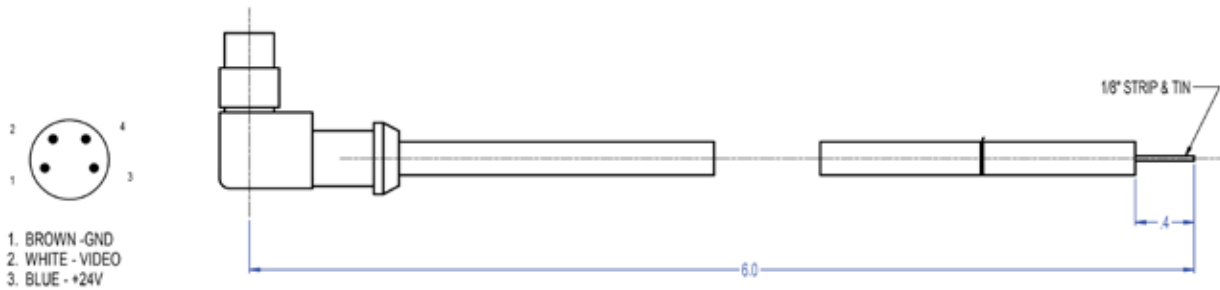
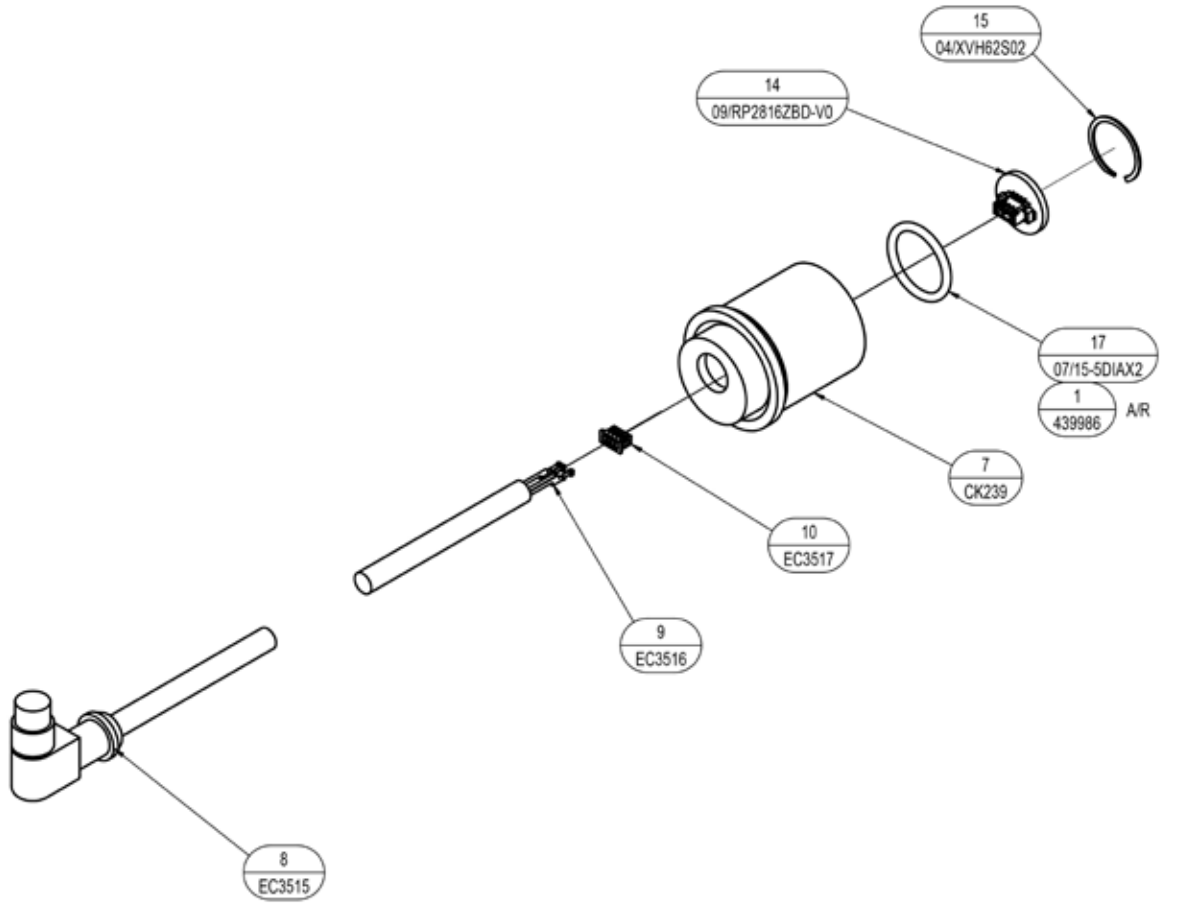


CABLE, CAMERA INTERCONNECT, 24 INCH, P/N: CK285



CUTTER CABLES - CURRAHEE

CABLE, CAM, INTERFACE, FWD, CK8SERIES 2 P/N: CK378

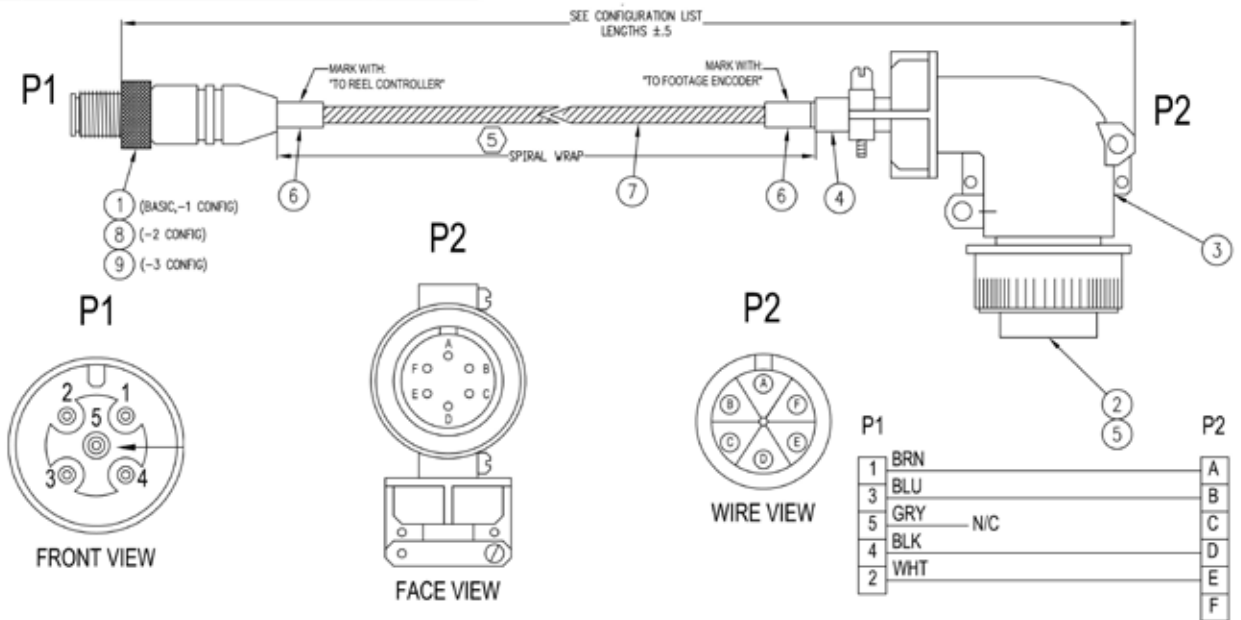


FOOTAGE METER CABLES

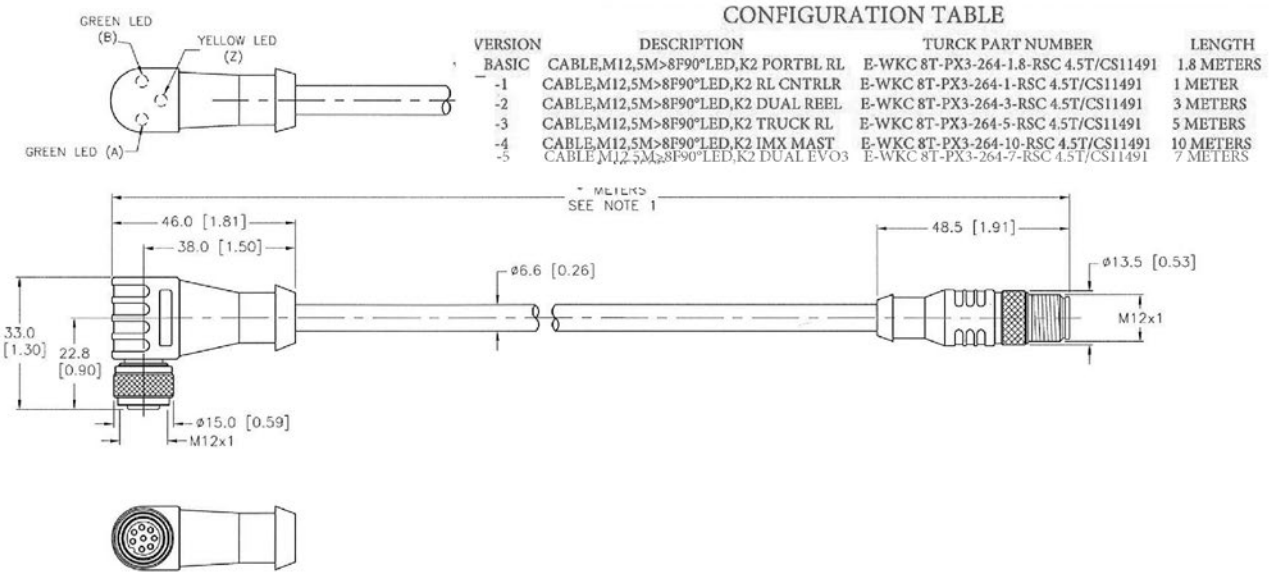
CABLE ASSY, K2 TRUCK REEL > FTG, 42" LG: P/N MD343

CONFIGURATION LIST

PART NO.	DESCRIPTION	NOTES
MD343	CABLE ASSY, K2 TRUCK REEL > FOOTAGE	42" LG.
MD343-1	CABLE ASSY, K2 BASE STATION > FOOTAGE	70" LG.
MD343-2	CABLE ASSY, K2 TRUCK REEL, DUAL > FOOTAGE	120" LG.
MD343-3	CABLE ASSY, K2 TRUCK REEL > FOOTAGE	192" LG.

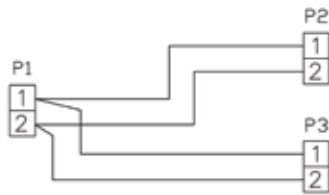
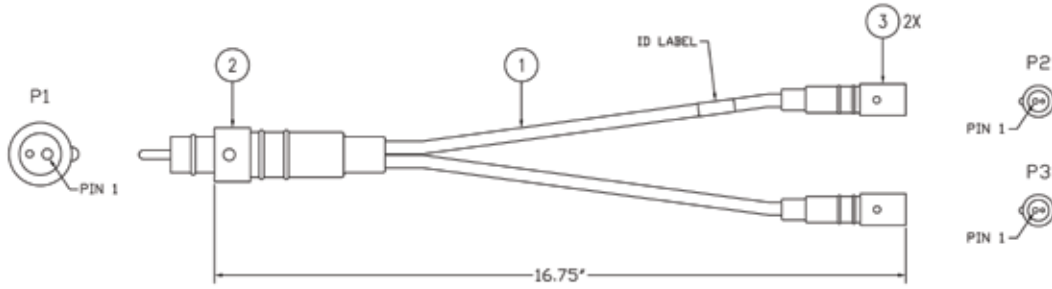


CABLE ASSY, K2 TRUCK REEL: P/N EC1464



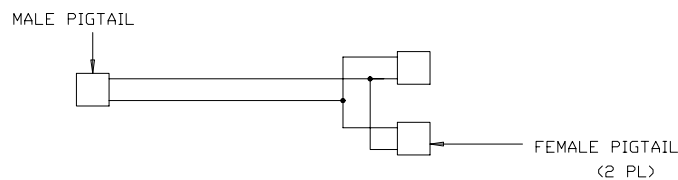
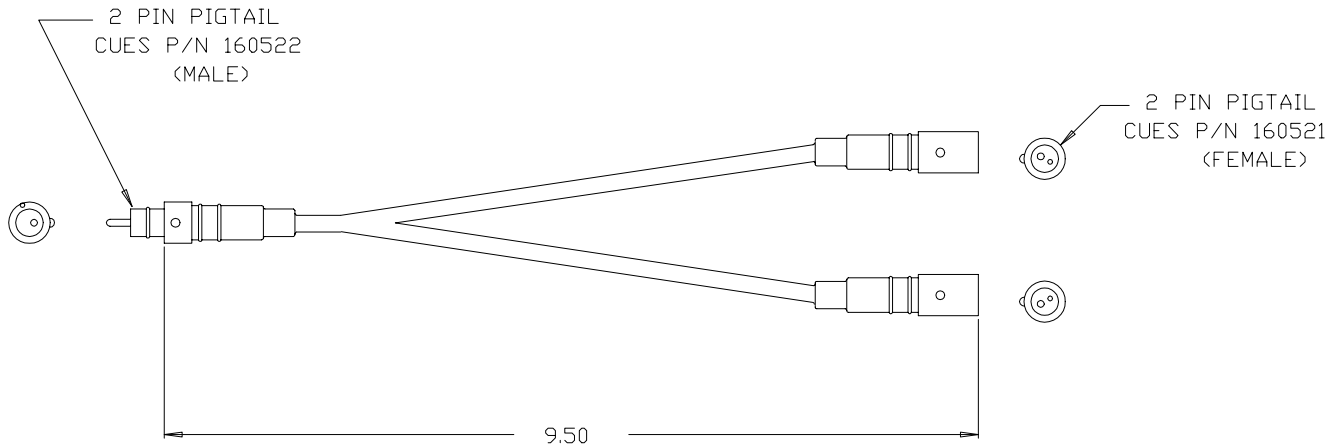
LIGHTHEAD CABLES

CABLE, LGHTHD, HPL 8 & 10 16.75", P/N: 160627



WIRING DIAGRAM

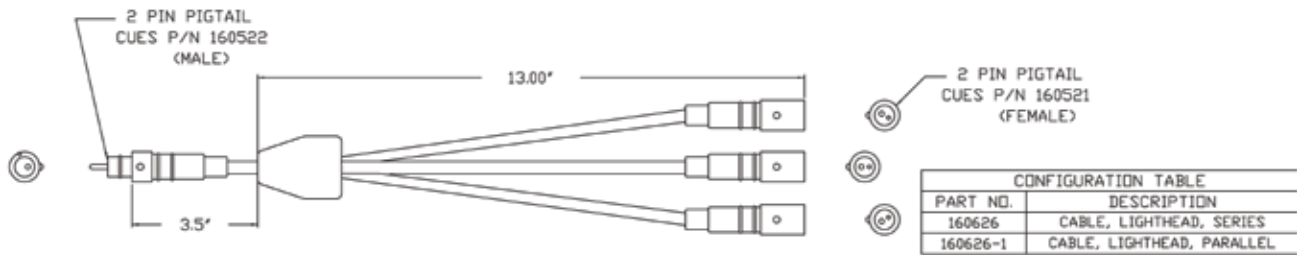
CABLE, LIGHTHD, HPL 8 & 10 SHORT 9.5", P/N: MC022



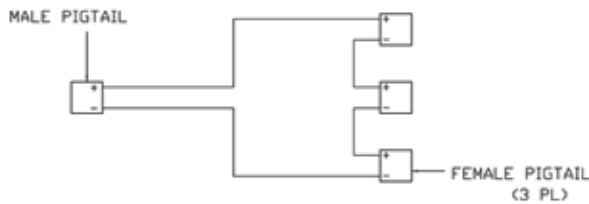
LIGHTHEAD CABLES

CABLE, LIGHTHEAD HPL 6+, P/N: 160626

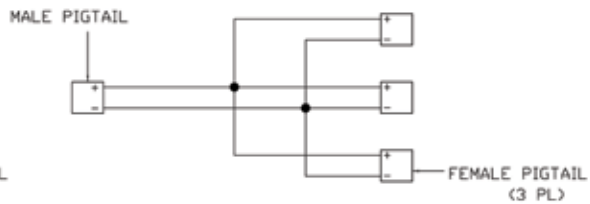
CABLE, LIGHTHEAD HPL 10+, SMM, P/N: 160626-1



WIRING DIAGRAM: BASIC CONFIG

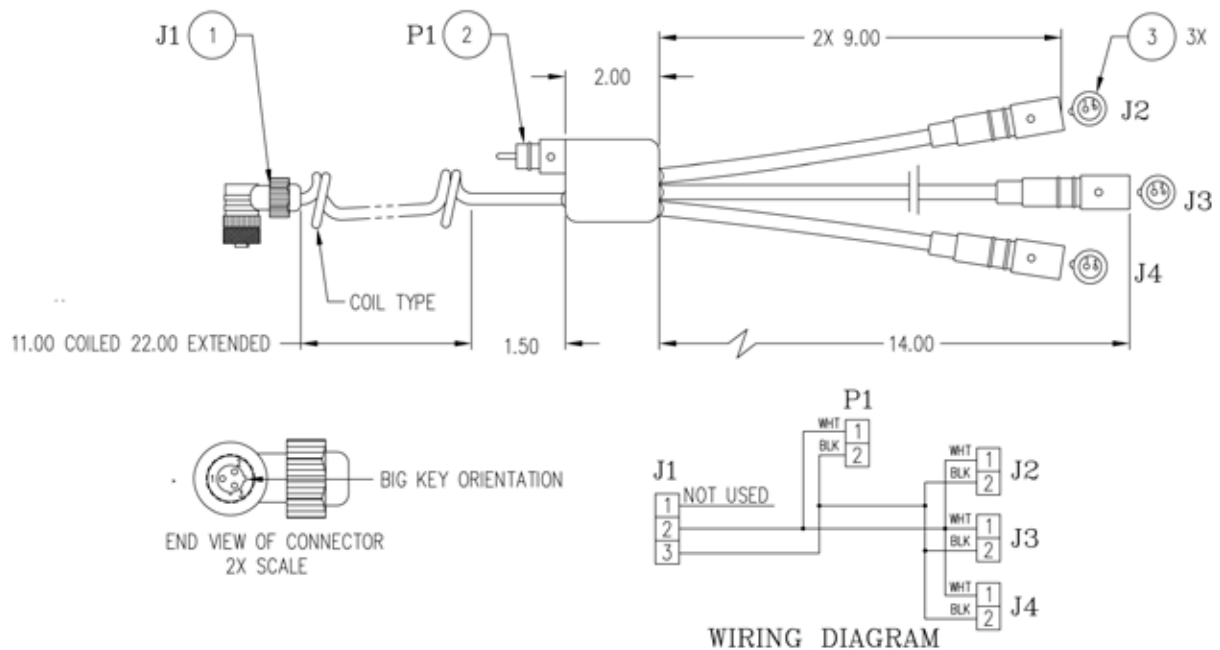


WIRING DIAGRAM: -1 CONFIG



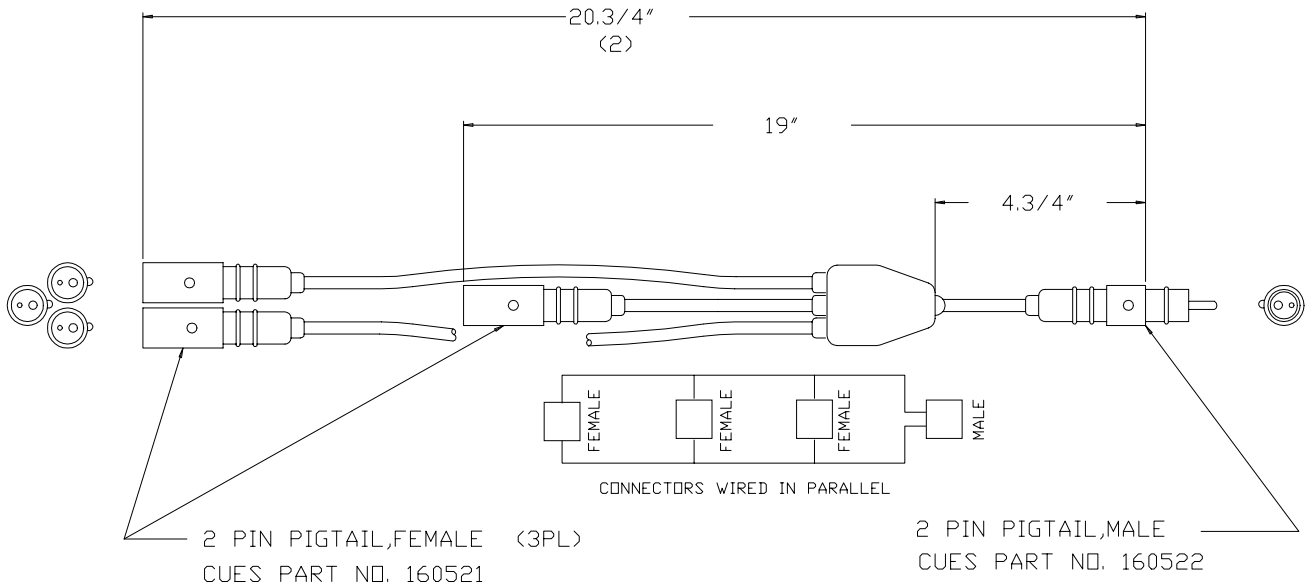
CABLE, LIGHTS/POWERLIFT, MM, P/N: TM320

FOR NON-STEERABLE UNITS ONLY...IF USING A STEERABLE MUDMASTER, REFER TO TM356

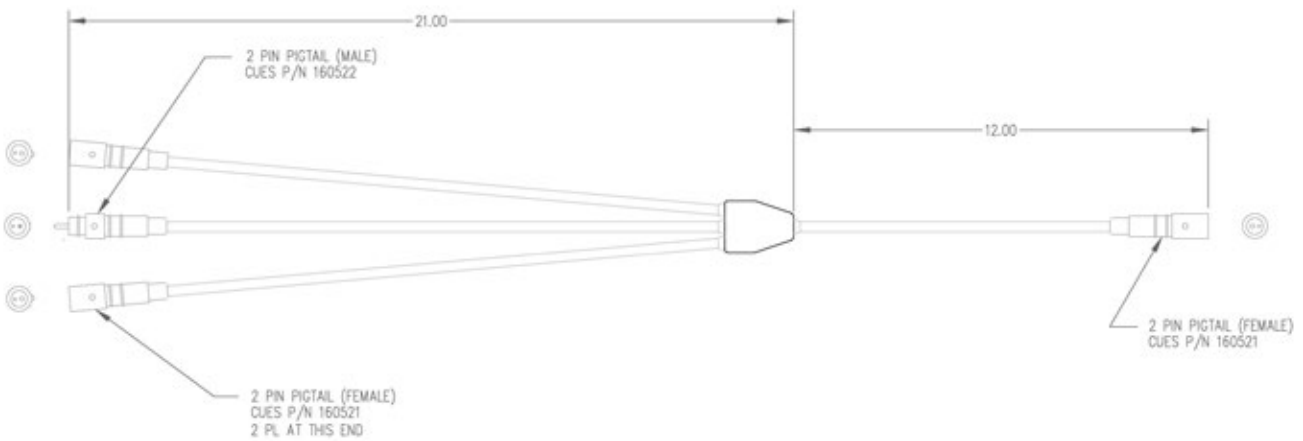


LIGHTHEAD CABLES

CABLE ASSY, TRILIGHT, P/N: 160604

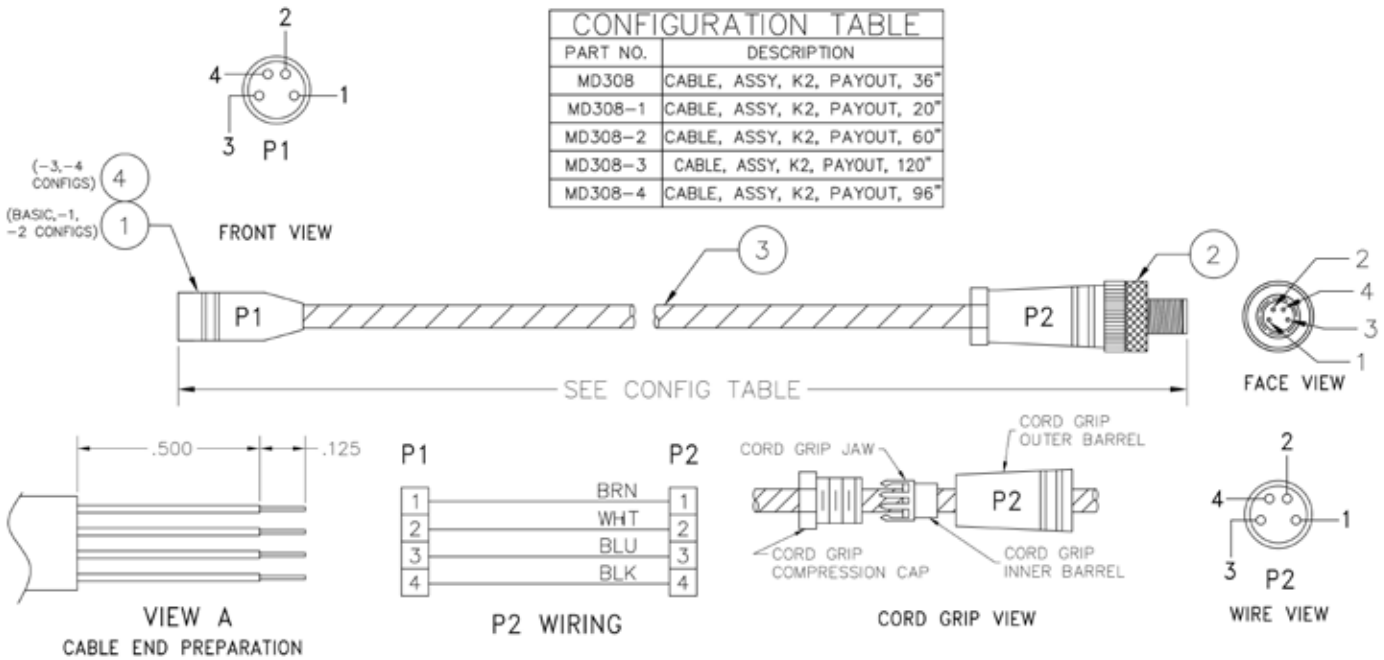


CABLE ASSY, LIGHTHEAD, FLOAT, P/N: 160628



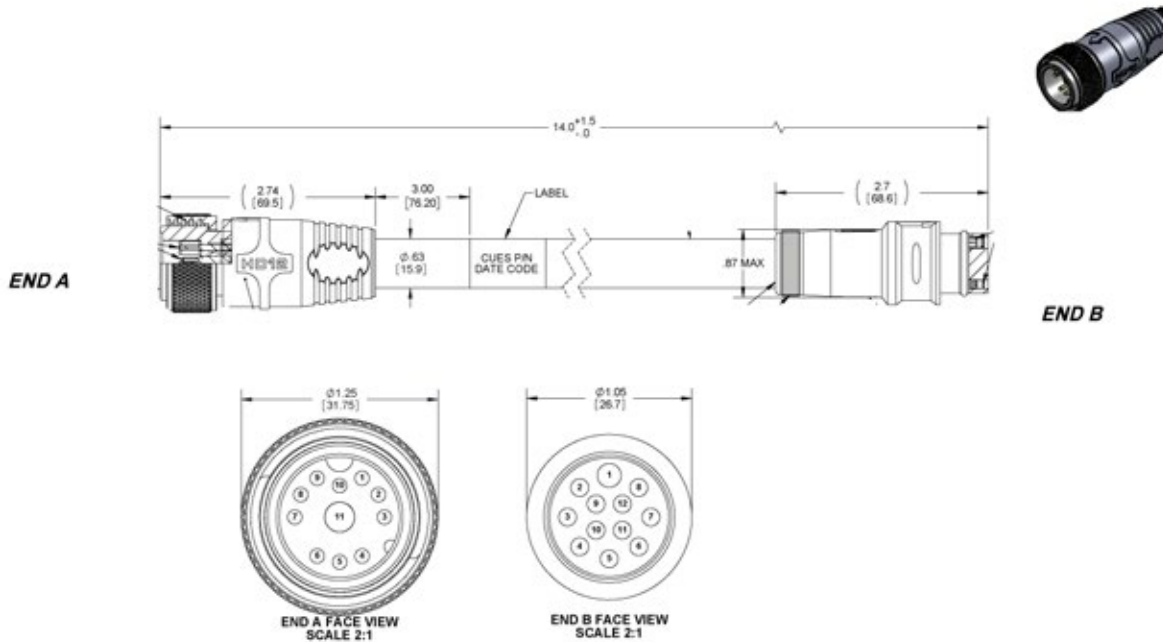
PAYOUT SENSOR CABLES

CABLE, PYOT SNSR, K2 REEL CNTRLLR, 36", P/N: MD308

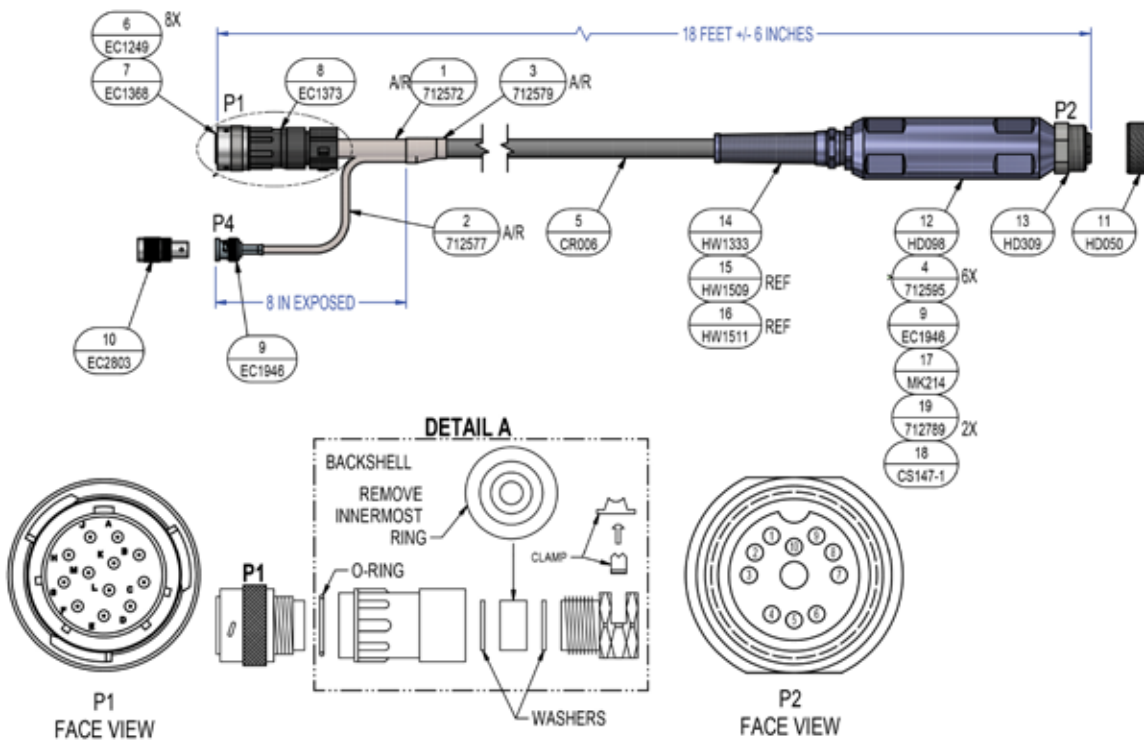


PORTABLE MINI SYSTEM CABLES - MARK III

ADAPTER, HD12 CABLE END > CUES 12 PIN, P/N HD312

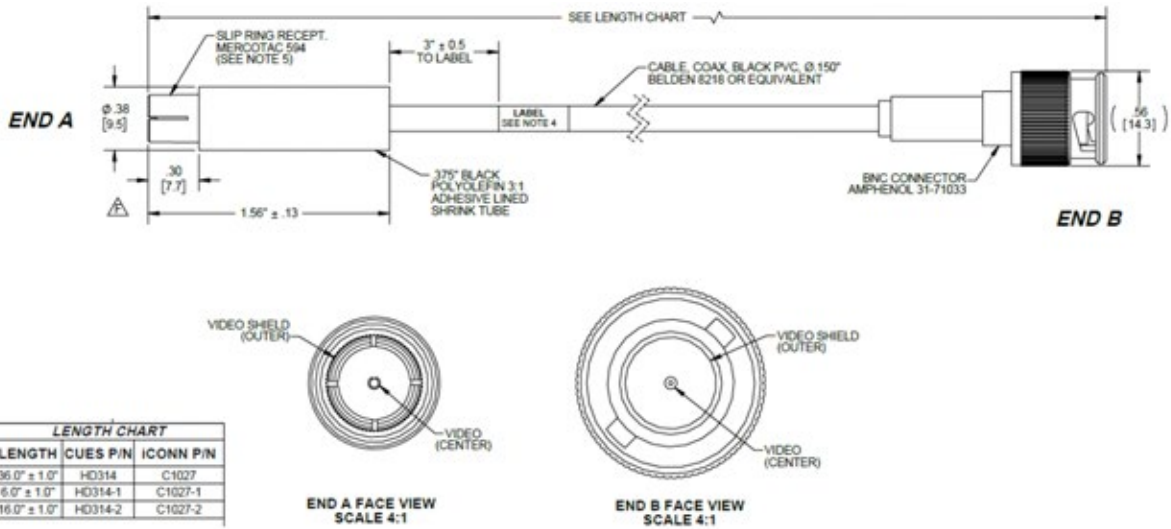


CABLE ASSY, TEST, K3 PCU, TO HD12 CONN, P/N MK673

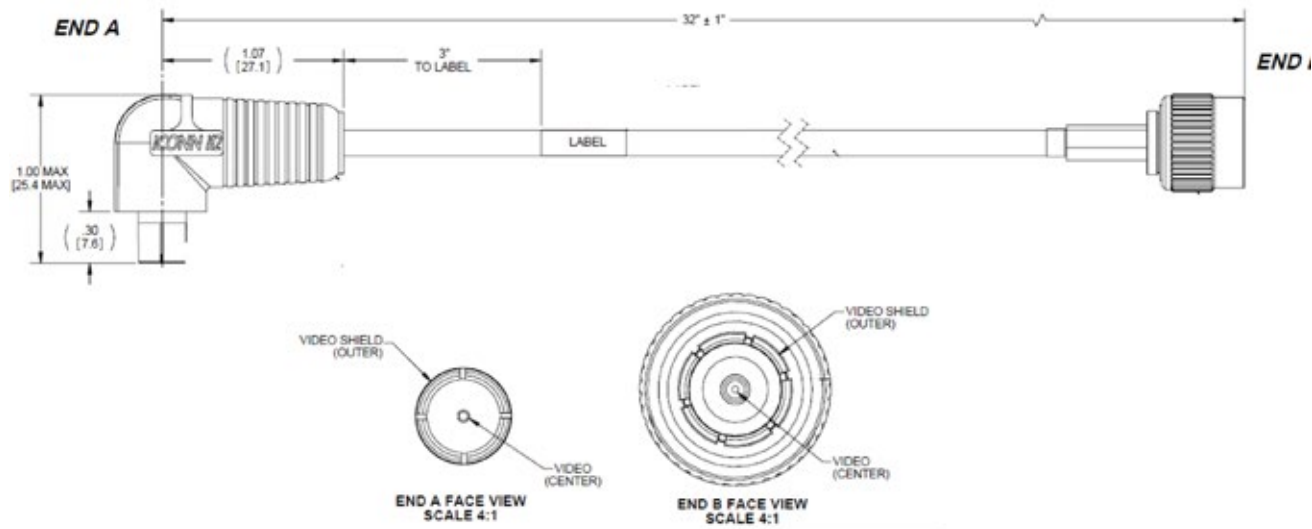


PORTABLE MINI SYSTEM CABLES - MARK III

CABLE ASSY, SLIPRING RECP TO GOLD, HD, P/N HD314-2

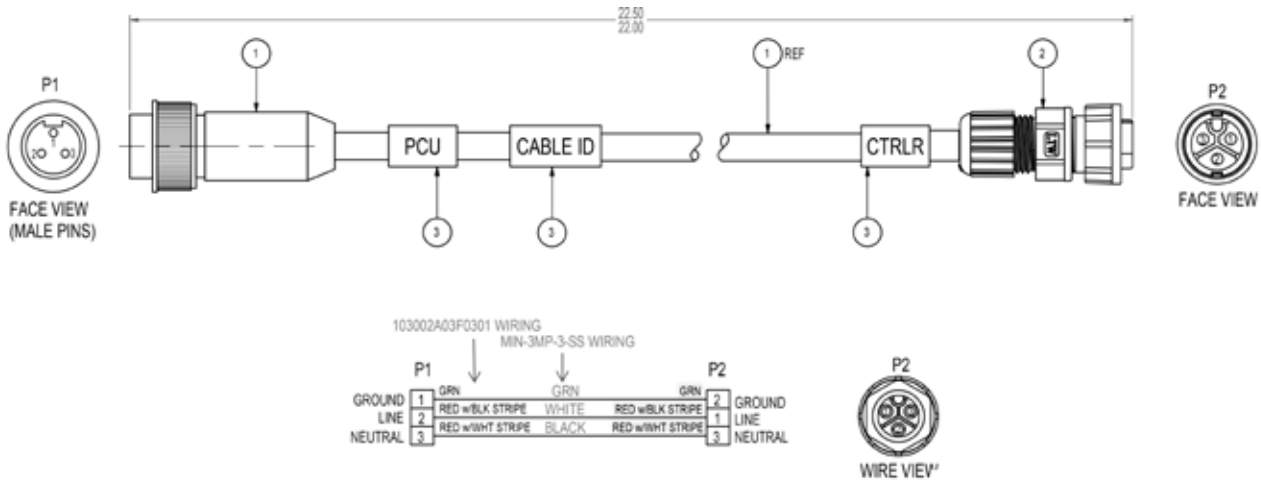


CABLE ASSY, SLIPRING TO TNC, 90°, HD P/N MK630

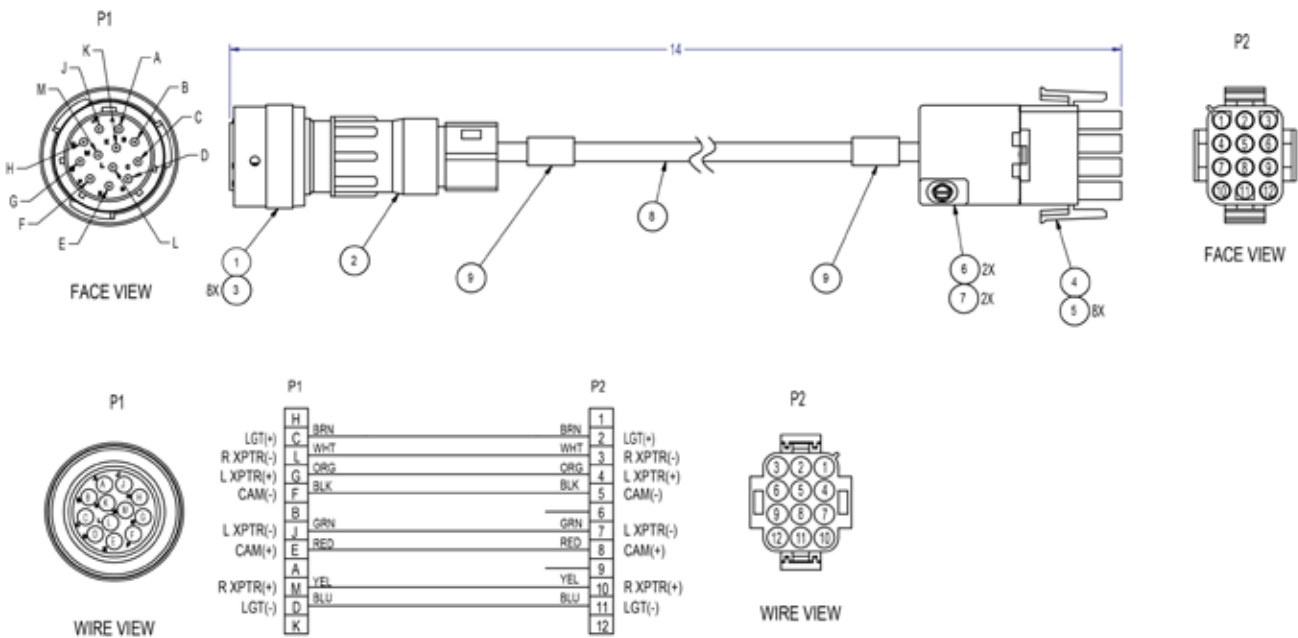


PORTABLE MINI SYSTEM CABLES - MARK III

CABLE ASSY, A/C POWER PCU TO CONTROLER, MARK3 P/N MK674

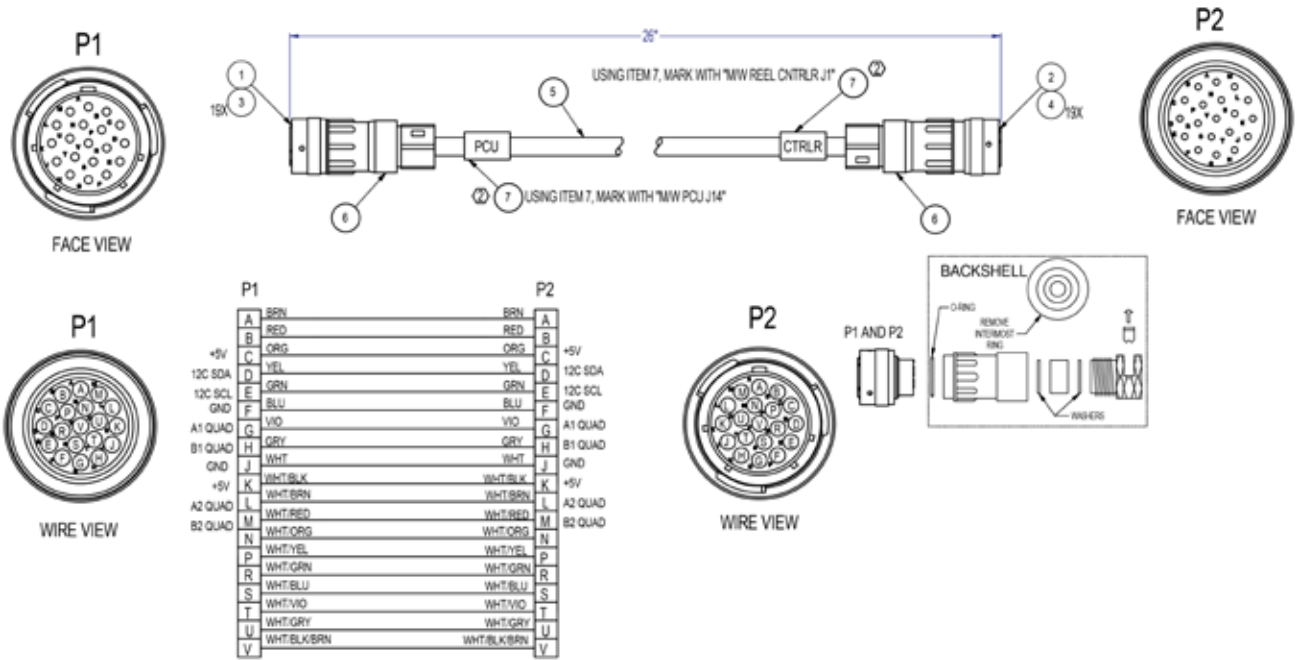


CABLE ASSY, MARK3, M/C EXTENSION P/N MK672



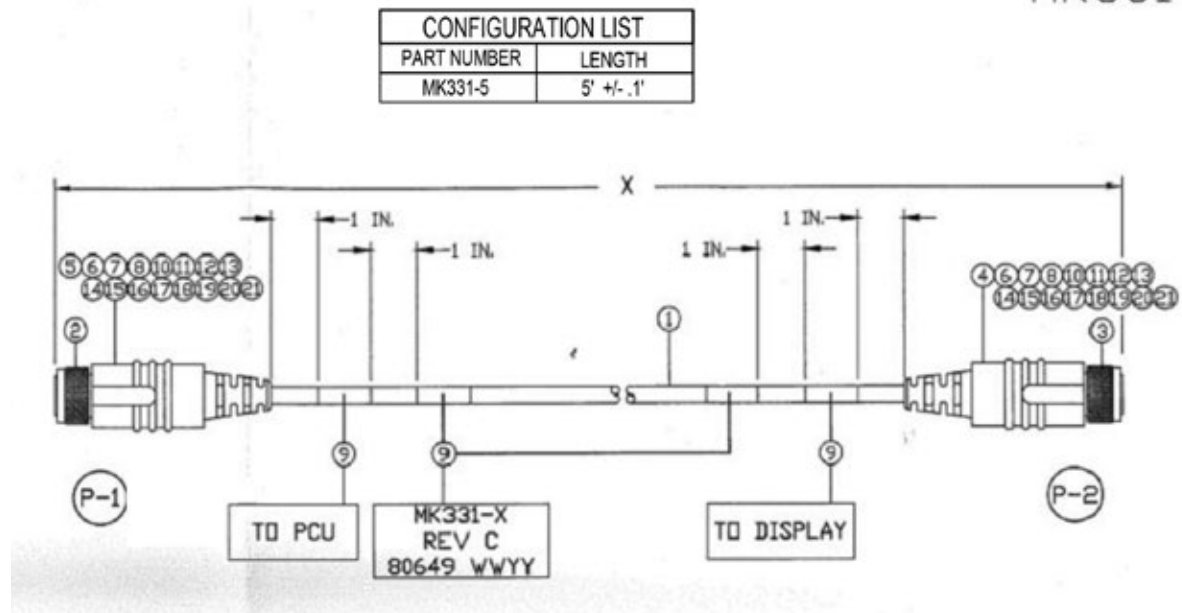
PORTABLE MINI SYSTEM CABLES - MARK III

CABLE ASSY, MARK3, FTG PCU TO REEL CONTROLER, P/N MK619



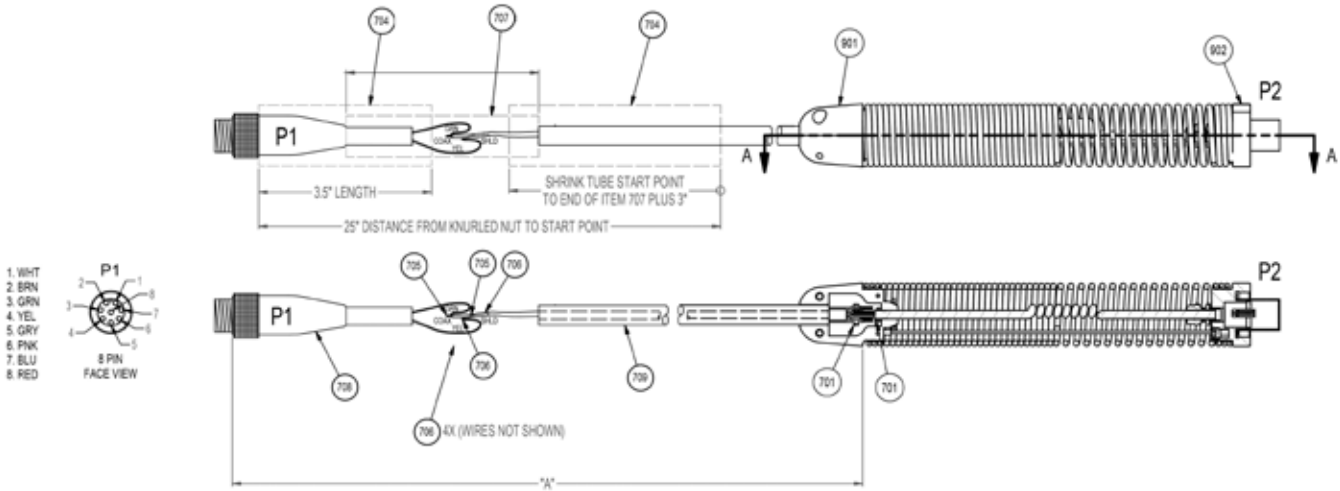
CABLE, UMBILICAL, PCU > DISPLAY P/N MK331-5

MK331-X



PORTABLE MINISYSTEM CABLES - MPLUS+

CABLE ASSY, 4 COND, BLK, PUSH,5MM ROD, MPLUS+, CH347



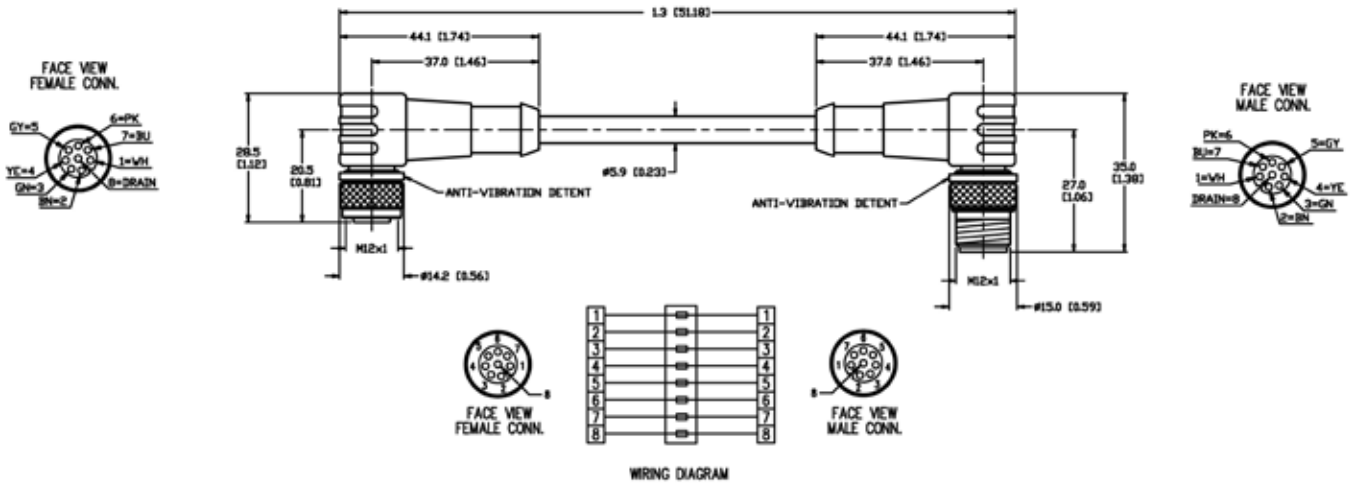
CONFIGURATION LIST	
PART NUMBER	DESCRIPTION
CH347-40PE	CABLE ASSY, PUSH, 400', 5MM, BLK, MPLUS+
CH347-35PE	CABLE ASSY, PUSH, 350', 5MM, BLK, MPLUS+
CH347-30PE	CABLE ASSY, PUSH, 300', 5MM, BLK, MPLUS+
CH347-25PE	CABLE ASSY, PUSH, 250', 5MM, BLK, MPLUS+
CH347-20PE	CABLE ASSY, PUSH, 200', 5MM, BLK, MPLUS+
CH347-15PE	CABLE ASSY, PUSH, 150', 5MM, BLK, MPLUS+
CH347-10PE	CABLE ASSY, PUSH, 100', 5MM, BLK, MPLUS+

CABLE CHART	
DASH NO	DIM "A"
EC2310-40PE	400'
EC2310-35PE	350'
EC2310-30PE	300'
EC2310-25PE	250'
EC2310-20PE	200'
EC2310-15PE	150'
EC2310-10PE	100'

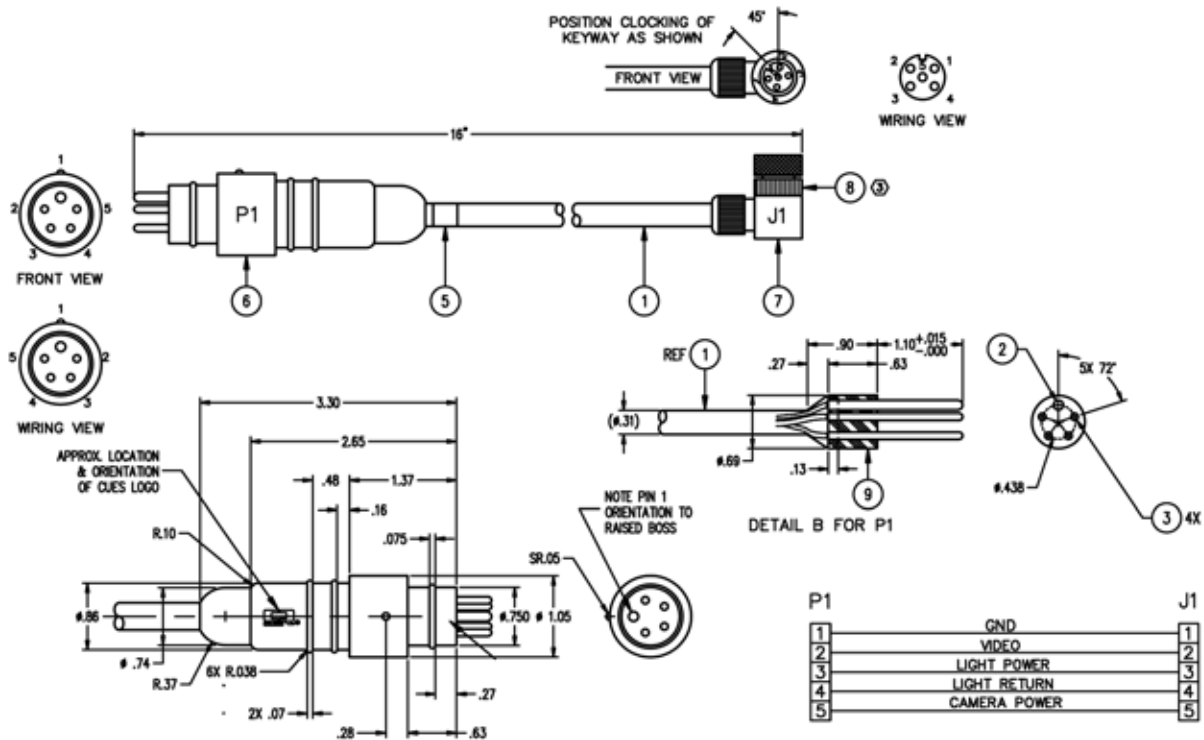


PORTABLE MINI SYSTEM CABLES - MP2020

CABLE ASSEMBLY, ELECT. PNL/LCD, MINIPUSH20/20, P/N CM017

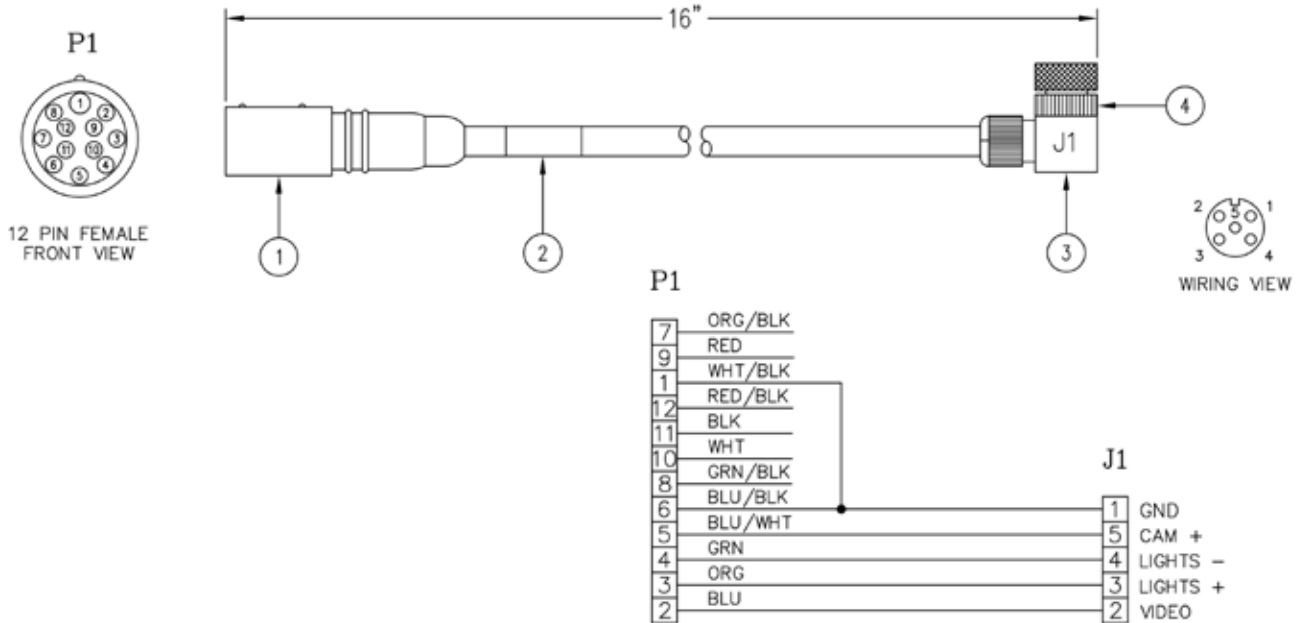


ADAPTER, MINIPUSH TO MULTI-CONDUCTOR, P/N CM024

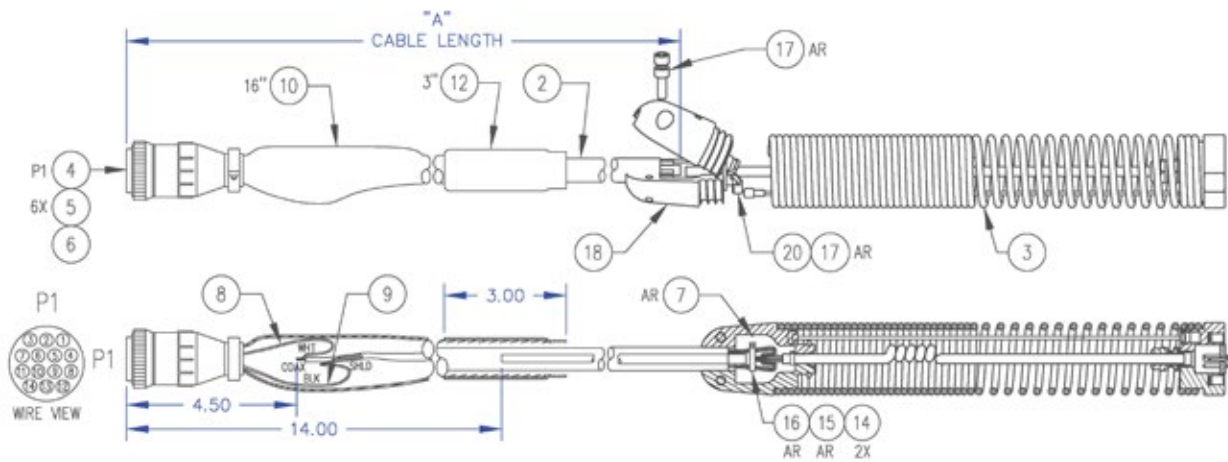


PORTABLE MINI SYSTEM CABLES - MP2020

CABLE, ADAPTER, MINIPUSH TO M/C 12P, P/N CM324



CABLE ASSY, CX1, .197 DIA PUSH CABLE P/N CR276



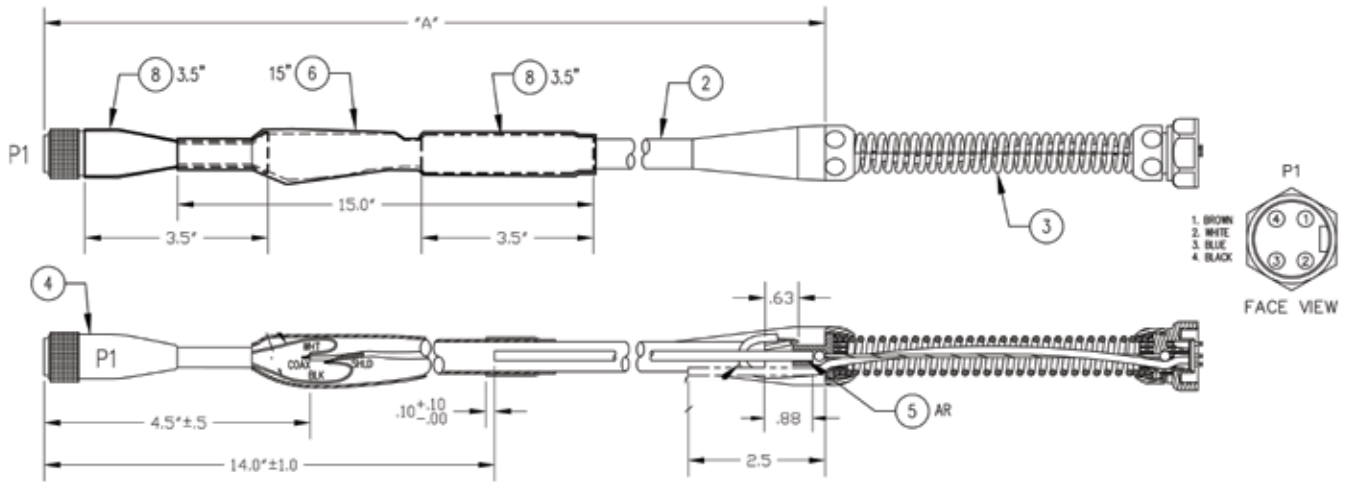
CHART

DASH NO.	DM "A"	CABLE P/N
CR276-40PE	400'	EC2310-40PE
CR276-35PE	350'	EC2310-35PE
CR276-30PE	300'	EC2310-30PE
CR276-25PE	250'	EC2310-25PE
CR276-20PE	200'	EC2310-20PE
CR276-15PE	150'	EC2310-15PE
CR276-10PE	100'	EC2310-10PE

20	1	SCREW, SET, 1/4-28 X 3/16 LONG, SST	HW105	-
19	1	WRENCH, SPANNER, SPRING, CBL END ASSY	CM106	NOT SHOWN
18	1	CLAMHELL, CBL END, CONN & SPRING ATCH	CM104	-
17	A/R	MRO-REMOVABLE LCK, ND 121200-50, BLUE	440061	-
16	2	MRO-TE, CABLE, 3/32"x4", WHT/CLR	440307	-
15	A/R	TUBE, SHRINK, BLACK 3/32"	712595	-
14	A/R	TUBE, SHRINK, BLACK 1/4" RNF	712576	-
13	A/R	TAPE, BLACK FIBER, ELECTRICAL	440351	-
12	.3'	TUBE, SHRINK, BLK 1/2" SOL	712581	-
11	.3'	TUBE, SHRINK, BLK 3/16" RNF	712577	-
10	1.5'	TUBE, SHRINK, BLK 1/2" ADH	712572	-
9	.5'	WIRE, #20 BLK	713317	-
8	.5'	WIRE, #20 WHT	713326	-
7	1	EPOXY, LOCTITE, E-OSOL HYSOL 50ML	CS599	-
6	1	STRAIN RELIEF, SHELL SZ 17	712543	-
5	6	PIN, AMP 66103-2	7132	-
4	1	CONNECTOR, 14-PIN MALE	7122	P1
3	1	CABLE END ASSY, CONNECTION & SPRING	CM340	-
2	A/R	CABLE PUSH, 6 CONDUCTOR, COAX BLACK PE	EC2310-XXPE	SEE CHART
1	-	NOT USED	-	-
ITEM	QTY	DESCRIPTION	PART NO.	SYM

PORTABLE MINI SYSTEM CABLES - MP2020

CABLE ASSEMBLY, PUSH MINIPUSH 20/20, P/N CM302

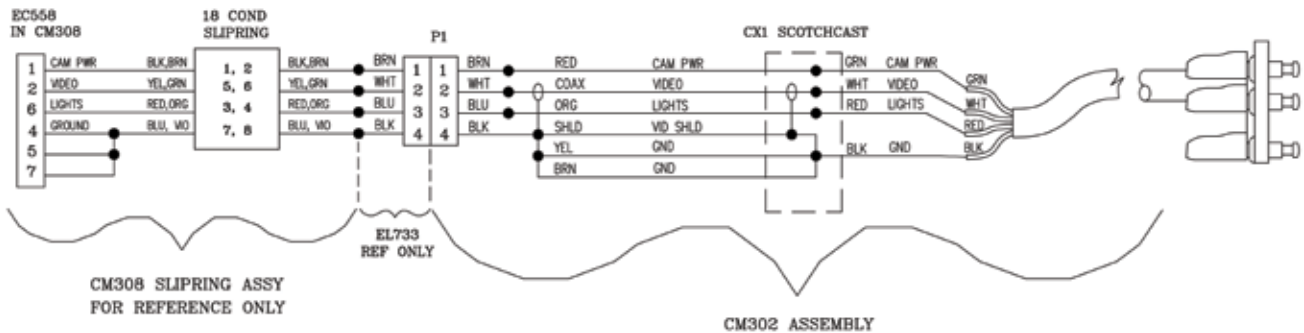
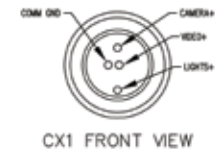
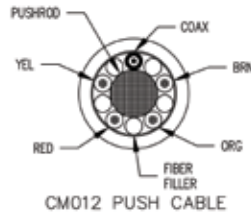


CABLE CHART

CM012-6	300'
CM012-5	270'
CM012-4	250'
CM012-3	200'
CM012-2	150'
CM012-1	100'
DASH NO	DIM "A"

CONFIGURATION TABLE

PART NO.	DESCRIPTION
CM302-5	CABLE ASSY, PUSH, 250', MINI PUSH SYS
CM302-4	CABLE ASSY, PUSH, 150', MINI PUSH SYS
CM302-3	CABLE ASSY, PUSH, 300', MINI PUSH SYS
CM302-2	CABLE ASSY, PUSH, 270', MINI PUSH SYS
CM302-1	CABLE ASSY, PUSH, 200', MINI PUSH SYS
CM302	CABLE ASSY, PUSH, 100', MINI PUSH SYS



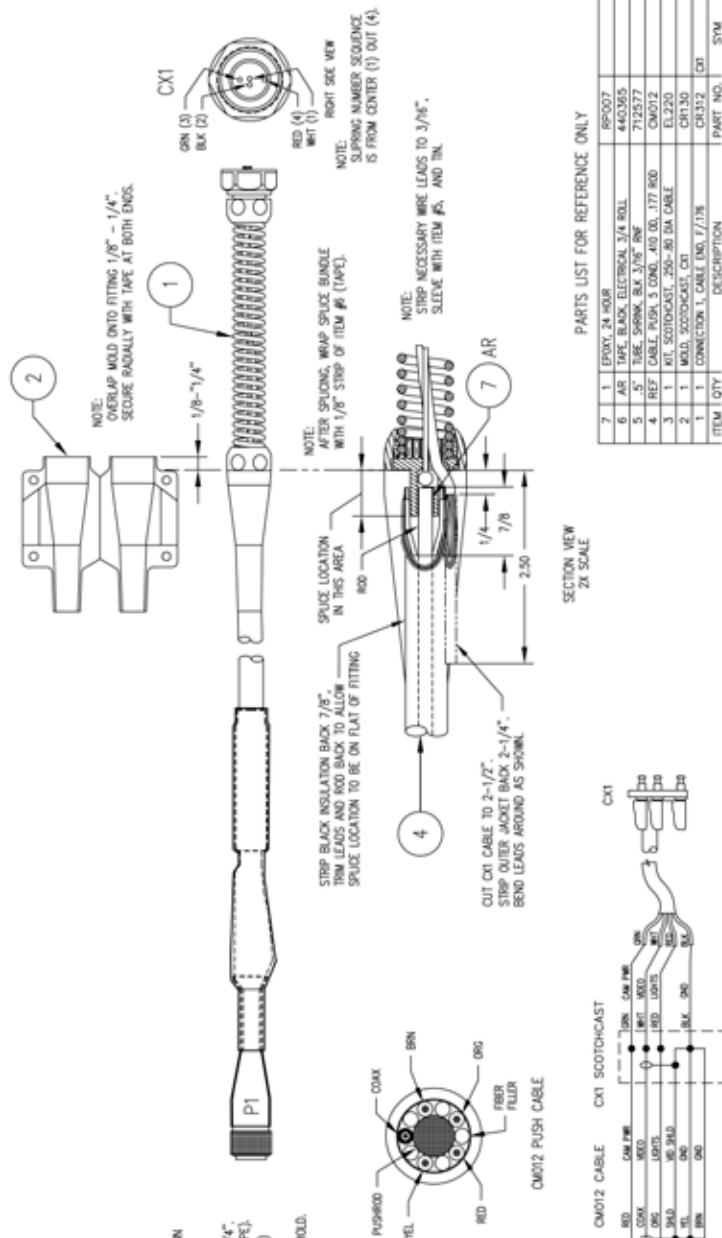
WIRING DIAGRAM

PORTABLE MINI SYSTEM CABLES - MP2020

INSTRUCTION SHEET, CABLE END, CX1, MINIPUSH 20/20, P/N CM302-INST

MP 20/20 BLUE CABLE ONLY

- NOTES: UNLESS OTHERWISE SPECIFIED
1. WIRE PER DIAGRAM BELOW.
2. ASSEMBLY INSTRUCTIONS:
• PREP CABLES TO DIMENSIONS SHOWN IN SECTION VIEWS.
• SLEEVE AND SOLDER LEADS TOGETHER USING ITEM #5 (SPRINK TUBE).
• WRAP SPLICES WITH ITEM #6 (TAPE).
• CHECK CONTINUITY OF CONNECTIONS.
• PRIOR TO POURING SCOTCHCAST:
• BOND ROD OF ITEM #4 (CABLE) TO FITTING OF ITEM #1 (CX1) AS SHOWN USING ITEM #7 (EPOXY).
• LOCATE ITEM #2 (MOLD) AS SHOWN. OVERLAPPING ONTO FITTING 1/8" - 1/4". SECURE BOTH ENDS WITH ITEM #6 (TAPE).
• FILL MOLD WITH ITEM #3 (SCOTCHCAST) PER SUPPLIED DIRECTIONS.
• AFTER SCOTCHCAST CURES, DISCARD MOLD. THEN, CHECK CONTINUITY BEFORE CONNECTING TO CAMERA.

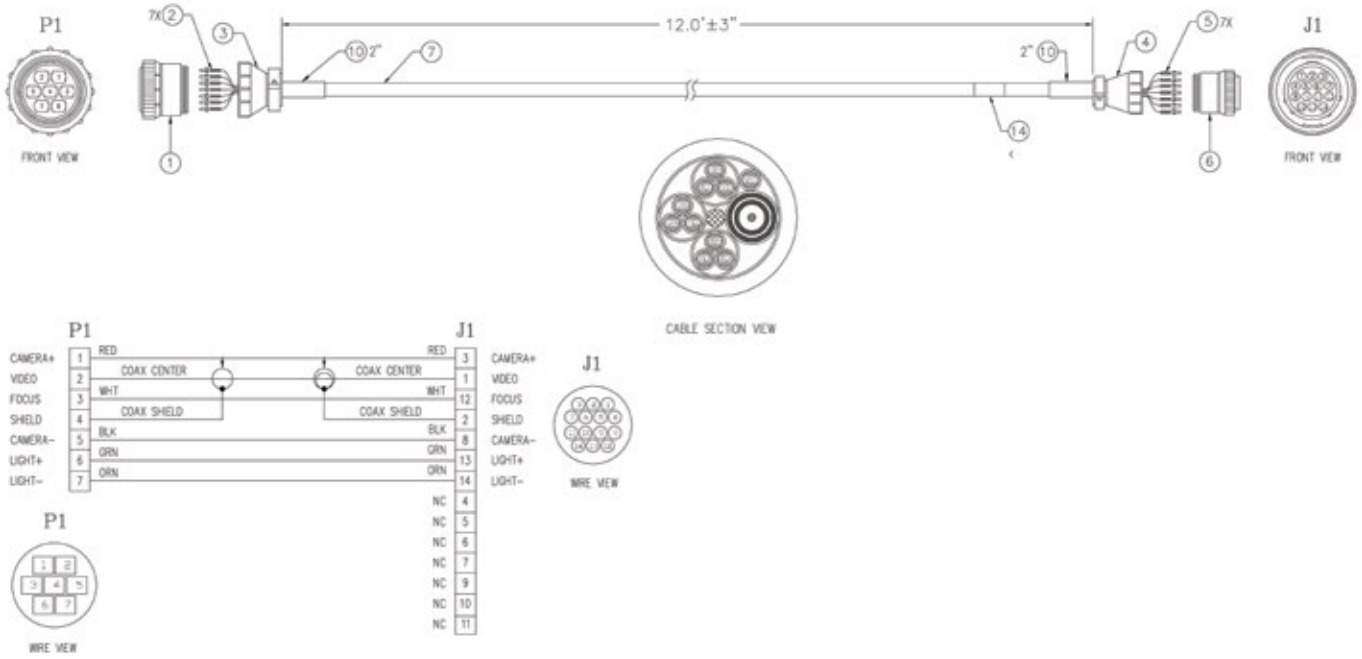


PARTS LIST FOR REFERENCE ONLY

ITEM	QTY	DESCRIPTION	PART NO.	SYM
7	1	EPOXY, 24 HOUR	RP007	
6	AR	TAPE, BLACK, ELECTRICAL, 3/4 ROLL	440365	
5	1	5' TUBE, SPRINK, BLK, 3/16" RNF	712577	
4	REF	CABLE, FIBER, 3 COND, 400 OHM COIL, 177 R60	CM012	
3	1	1 FT, SCOTCHCAST, 250-80 DIA CABLE	EL220	
2	1	MOLD, SCOTCHCAST, CX1	CM330	
1	1	CONNECTION 1, CABLE ENDS, 1/16"	CM312	CX1

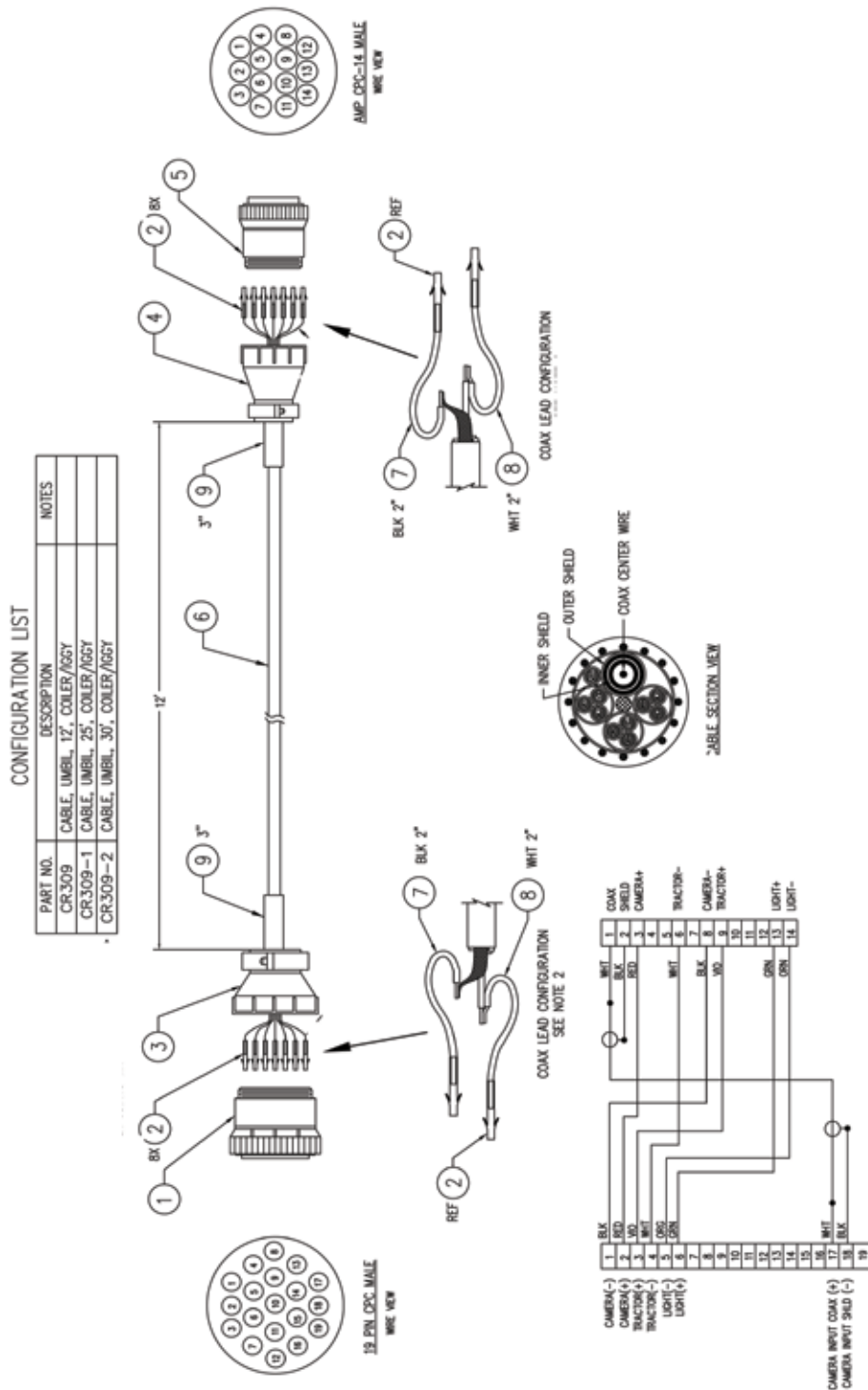
PORTABLE MINI SYSTEM CABLES - PROSCOUT

CABLE, UMBIL, 12', COILER/PROSCOUT, P/N: CR303



PORTABLE MINI SYSTEM CABLES - IGGY

CABLE, UMBIL, 12', COILER/IGGY, P/N: CR309

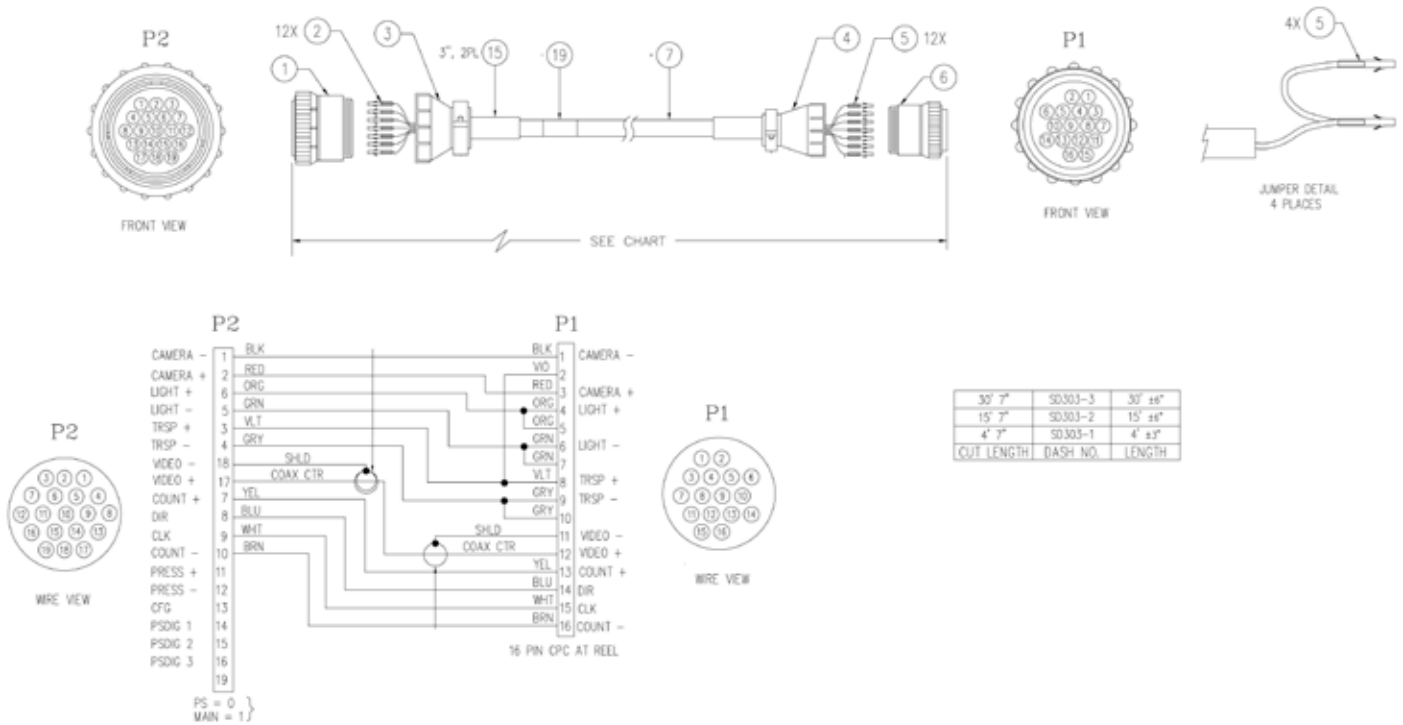


PORTABLE MINI SYSTEM CABLES - IGGY

CABLE, UMBILICAL, 4', DOLLY, IGGY, P/N: SD303-1

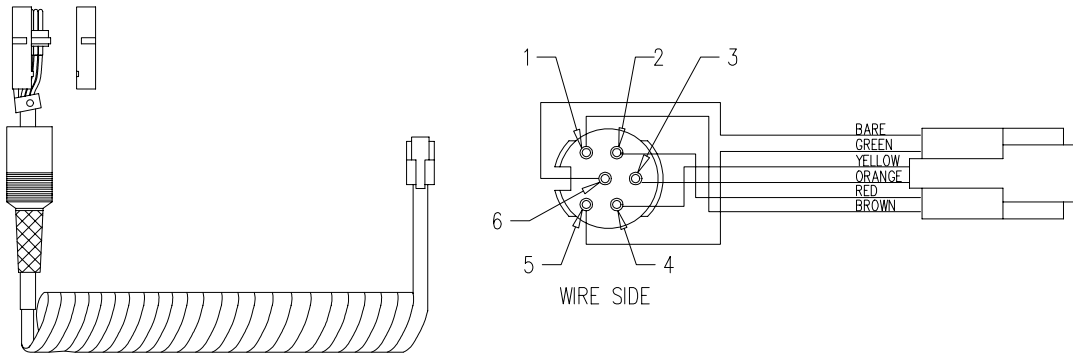
CABLE, UMBILICAL, 15', DOLLY, IGGY, P/N: SD303-2

CABLE, UMBILICAL, 30', DOLLY, IGGY, P/N: SD303-3

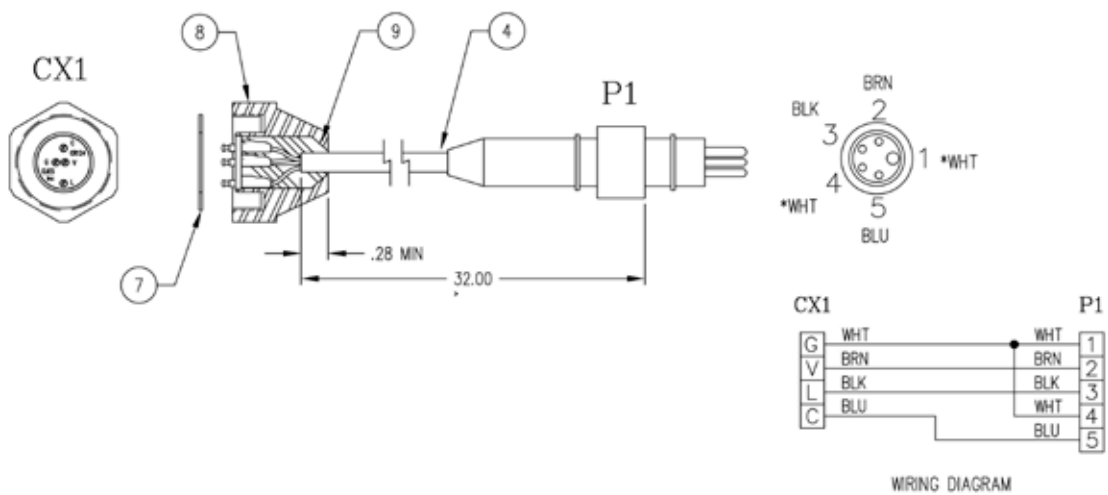


PORTABLE MINI SYSTEM CABLES - IGGY

CABLE ASSY, HAND COMMAND, IGGY, P/N: SM337



CABLE ASSY, F/CX1-PS2, BLK 5PIN, P/N: TK302



TV CABLES - GOLD MAINLINE TRUCK REEL

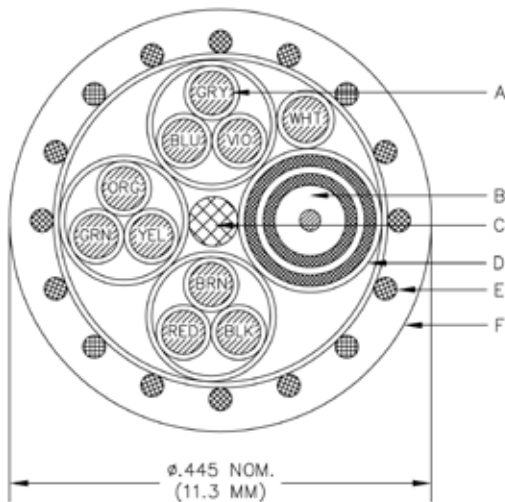
CUES GOLD TV CABLE, EL115

CUES Gold Cable is the most durable Multi Conductor TV cable available from any manufacturer. The cable is covered by a Kevlar armor impregnated Rilsan Nylon-11 composite jacket (Rilsan). The jacket offers a lower coefficient of friction than other jacket coverings, such as polyurethane, thereby reducing drag and further increasing its resistance to wear.

Internally, all of the conductors, including the coax, spiral in a serpentine pattern for the length of the cable. This means that the coax is the same length as the other conductors in the cable and will not break as the cable is placed under load. In other TV cables, the coax runs down the center of the cable, making it the shortest conductor and the first to break when the cable is stretched.

The cable also includes two (2) wire mesh coverings around the coax; one to act as a return ground and one to act as a true shield wire. Because all TV cables act as antennas, this shield wire is necessary to protect the video signal from outside RF noise sources and reduces “crosstalk” between the coax and outer conductors by 40db, providing a clearer signal.

For more information or to receive a cable sample, contact Cues Sales at 1-800-327-7791.



TECHNICAL DATA:

- | | |
|---------------------------------------|--|
| 1. OPERATING VOLTAGE: | 600V |
| 2. TEST VOLTAGE CONDUCTOR/ CONDUCTOR: | 3000V/DC |
| 3. TEST VOLTAGE CONDUCTOR/SHIELD: | 2000V/DC |
| 4. OPERATING TEMPERATURE: | -50°C TO +125°C [-58F TO+257F] (3000 HRS.)
-50°C TO +90°C [-58F TO+194F] (20000 HRS.) |
| 5. WEIGHT: | 160 G/M = 107.5 LB/1000 FT. |
| 6. WORKING STRENGTH: | 500 LBS. |

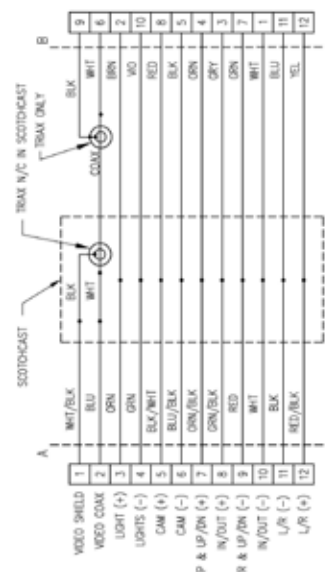
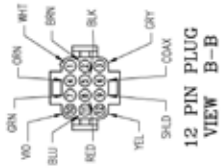
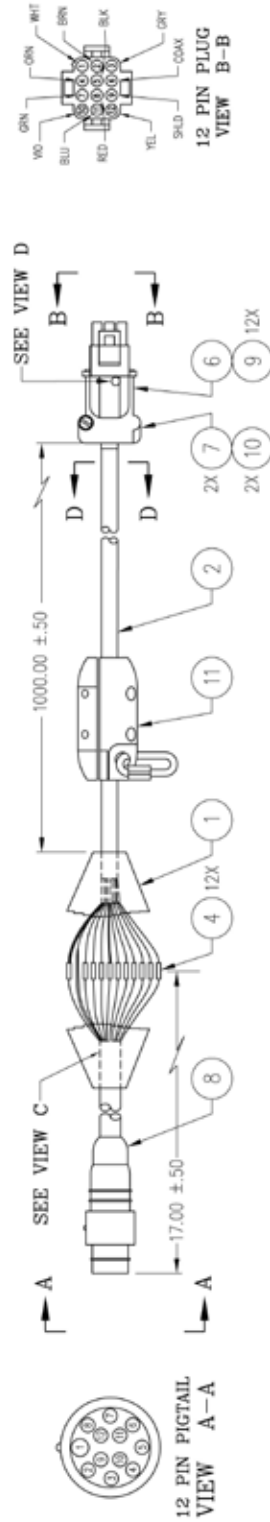
TV CABLES - GOLD MAINLINE TRUCK REEL

GOLD TV CABLE, M/C, WITH 12-PIN, P/N: 0305490-10H

CONFIGURATION LIST

PART NO.	DESCRIPTION	NOTES
0305490	CABLE ASSY, M/C GOLD 1300', W 12PN	
0305490-1	CABLE ASSY, M/C GOLD 1300', W 12PN	
0305490-2	CABLE ASSY, M/C GOLD 1300', W 12PN	
0305490-3	CABLE ASSY, M/C GOLD 1300', W 12PN	
0305490-4	CABLE ASSY, M/C GOLD 1300', W 12PN	
0305490-5	CABLE ASSY, M/C GOLD 1300', W 12PN	
0305490-6	CABLE ASSY, M/C GOLD 500', W 12PN	

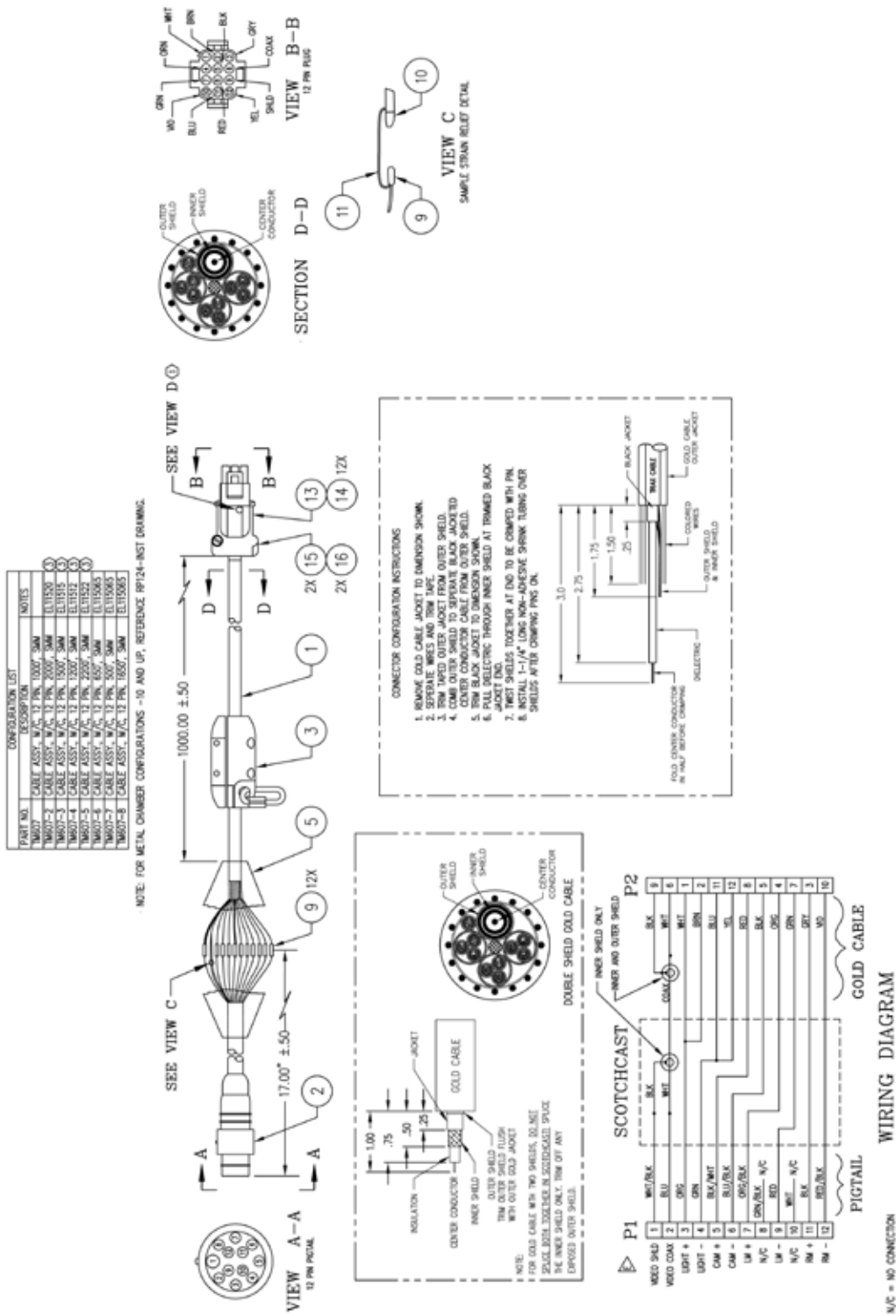
NOTE: FOR METAL CHAMBER CONFIGURATIONS, -10 AND UP, REFERENCE 8P123-INST DRAWING.



WIRING DIAGRAM

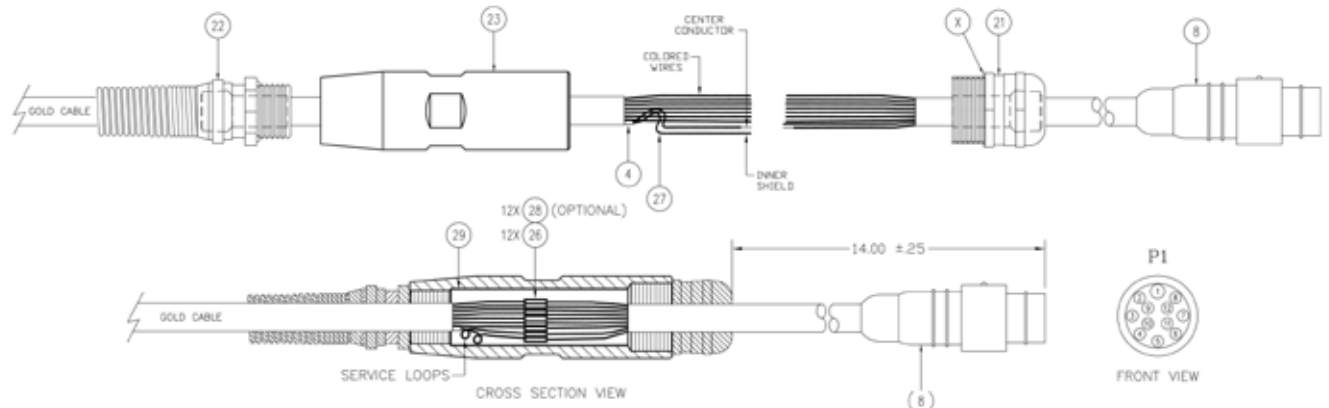
TV CABLES - GOLD MAINLINE TRUCK REEL

GOLD TV CABLE, M/C, 12PIN, 1000', SMM, P/N: TM607-10H



TV CABLES - GOLD MAINLINE TRUCK REEL

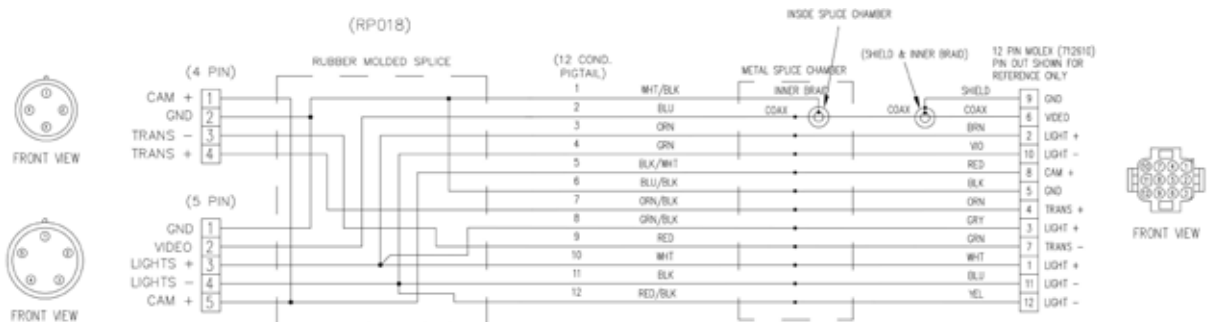
CABLE ASSY, M/C GLD W/5+4, 1000', MTL, P/N: 0305496-10H



-10,-10H,-11,-12,-13,-13H,-17,-18 CONFIGS

CONFIGURATION LIST

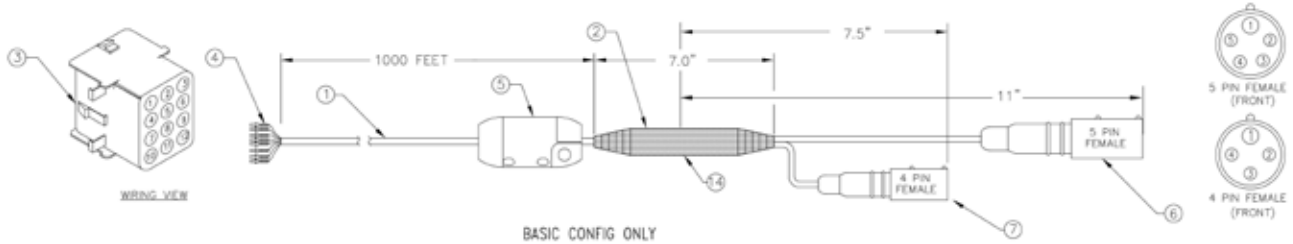
PART NO.	DESCRIPTION	NOTES
0305490	CABLE ASSY, M/C GOLD 1000', W 12PIN	
0305490-1	CABLE ASSY, M/C GOLD 1200', W 12PIN	
0305490-2	CABLE ASSY, M/C GOLD 1300', W 12PIN	
0305490-3	CABLE ASSY, M/C GOLD 1500', W 12PIN	
0305490-4	CABLE ASSY, M/C GOLD 1800', W 12PIN	
0305490-5	CABLE ASSY, M/C GOLD 2000', W 12PIN	
0305490-6	CABLE ASSY, M/C GOLD 500', W 12PIN	
0305490-10	CABLE ASSY, M/C GLD 1000', W/12P, MTL	
0305490-10H	CABLE ASSY, M/C GLD 1000', W/12P, MTL	
0305490-11	CABLE ASSY, M/C GLD 1200', W/12P, MTL	
0305490-12	CABLE ASSY, M/C GLD 1300', W/12P, MTL	
0305490-13	CABLE ASSY, M/C GLD 1300', W/12P, MTL	
0305490-13H	CABLE ASSY, M/C GLD 1500', W/12P, MTL	
0305490-17	CABLE ASSY, M/C GOLD 600, W/12PIN, MTL	
0305490-18	CABLE ASSY, M/C GOLD 500, W/12PIN, MTL	



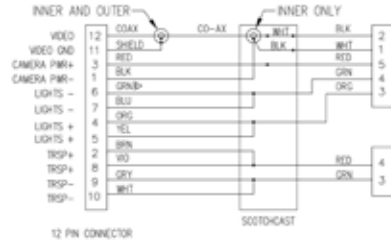
-10 CONFIG ONLY

TV CABLES - GOLD INSPECTOR GENERAL DOLLY MAINLINE

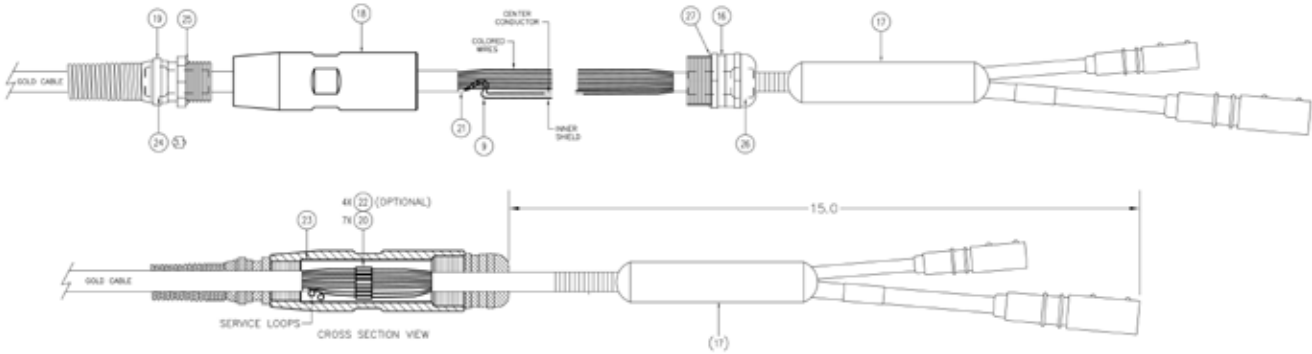
CABLE ASSY, IGGY, 1000'W/5+4P, MTL, HY, P/N: SM201-10H



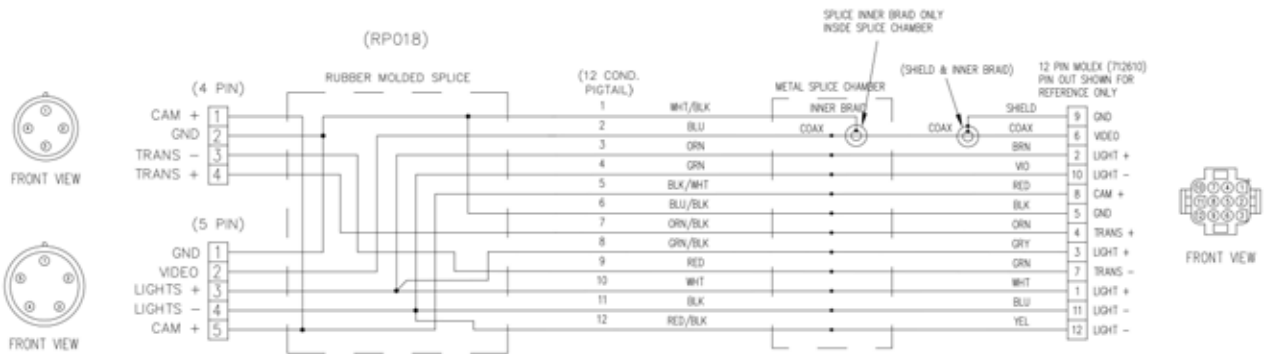
CONFIGURATION LIST	
PART NO.	DESCRIPTION
SM201	CABLE ASSY,IGGY, 1K' W/ 5+4 PIN
SM201-10	CABLE ASSY,IGGY,1000'W/5+4P,METAL



STANDARD TRUCK MOUNTED 5 AND 4 PIN CONFIGURATIONS ONLY. NOT COMPATIBLE WITH INSPECTOR GENERAL.



-10 CONFIG ONLY



-10 CONFIG ONLY

TV CABLES - GOLD INSPECTOR GENERAL DOLLY MAINLINE

CABLE ASSY, IGGY, 1000'W/5+4P, MTL, HY, P/N: SM201-10H CONTINUED

FIGURE 1
Strip length shown. Strip length shown. Strip length shown.

FIGURE 2
Strip length shown. Strip length shown. Strip length shown.

FIGURE 3
Strip length shown. Strip length shown. Strip length shown.

FIGURE 4
Strip length shown. Strip length shown. Strip length shown.

FIGURE 5
Strip length shown. Strip length shown. Strip length shown.

FIGURE 6
Strip length shown. Strip length shown. Strip length shown.

FIGURE 7
Strip length shown. Strip length shown. Strip length shown.

FIGURE 8
Strip length shown. Strip length shown. Strip length shown.

FIGURE 9
Strip length shown. Strip length shown. Strip length shown.

FIGURE 10
Strip length shown. Strip length shown. Strip length shown.

FIGURE 11
Strip length shown. Strip length shown. Strip length shown.

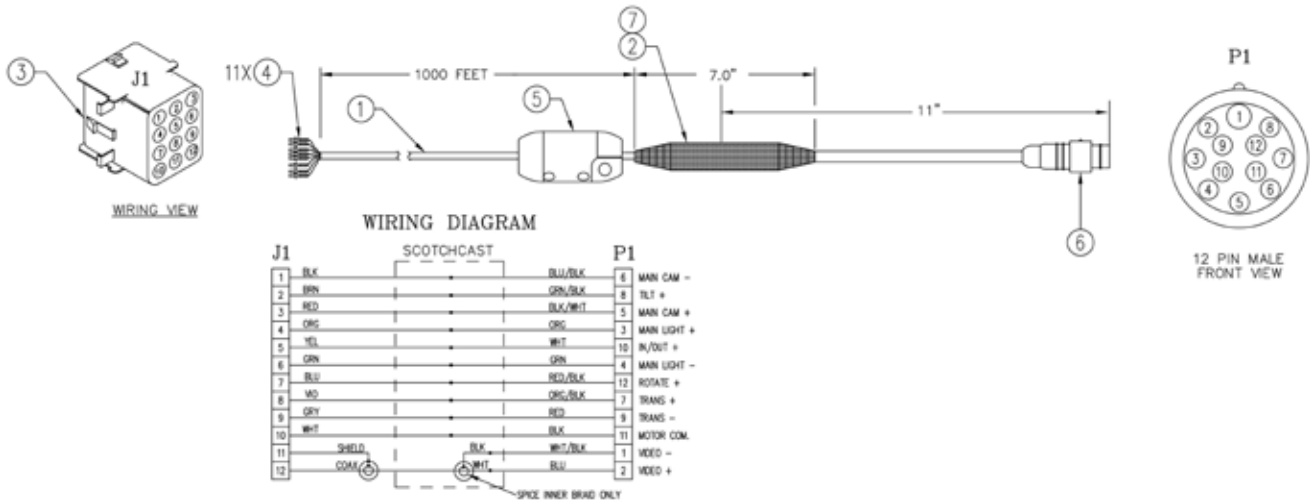
FIGURE 12
Strip length shown. Strip length shown. Strip length shown.

FIGURE 13
Strip length shown. Strip length shown. Strip length shown.

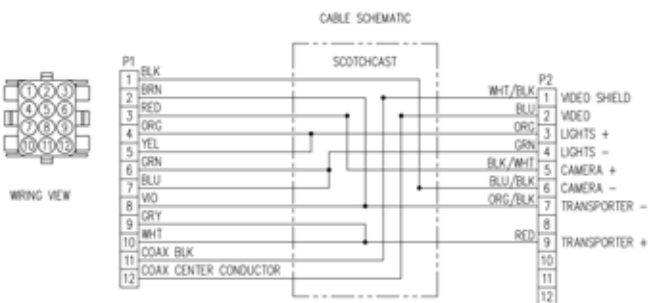
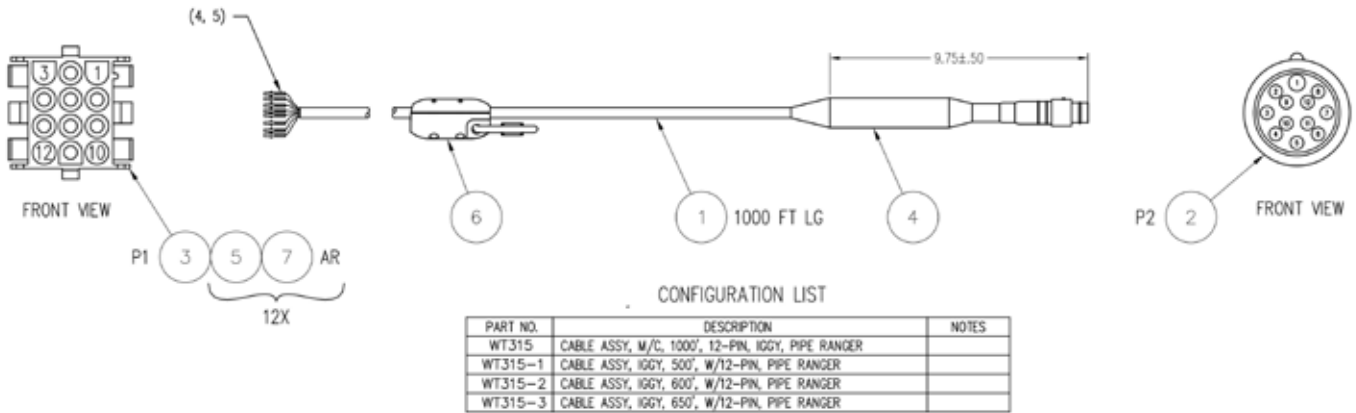
FIGURE 14
Strip length shown. Strip length shown. Strip length shown.

TV CABLES - GOLD INSPECTOR GENERAL DOLLY MAINLINE

CABLE ASSY, IGGY, 1K' W/12P, LMP, MTL, P/N: LT379-10



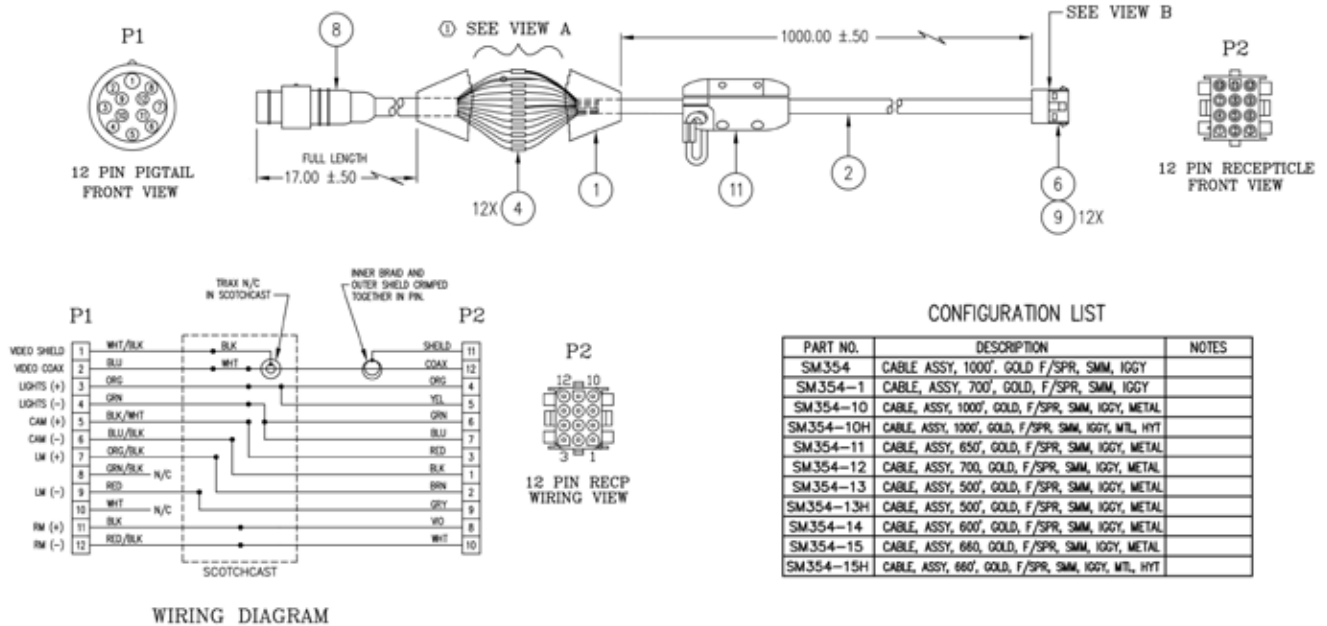
CABLE ASSY, M/C, 1000', 12P, IGY, PR, MTL, P/N: WT315-10



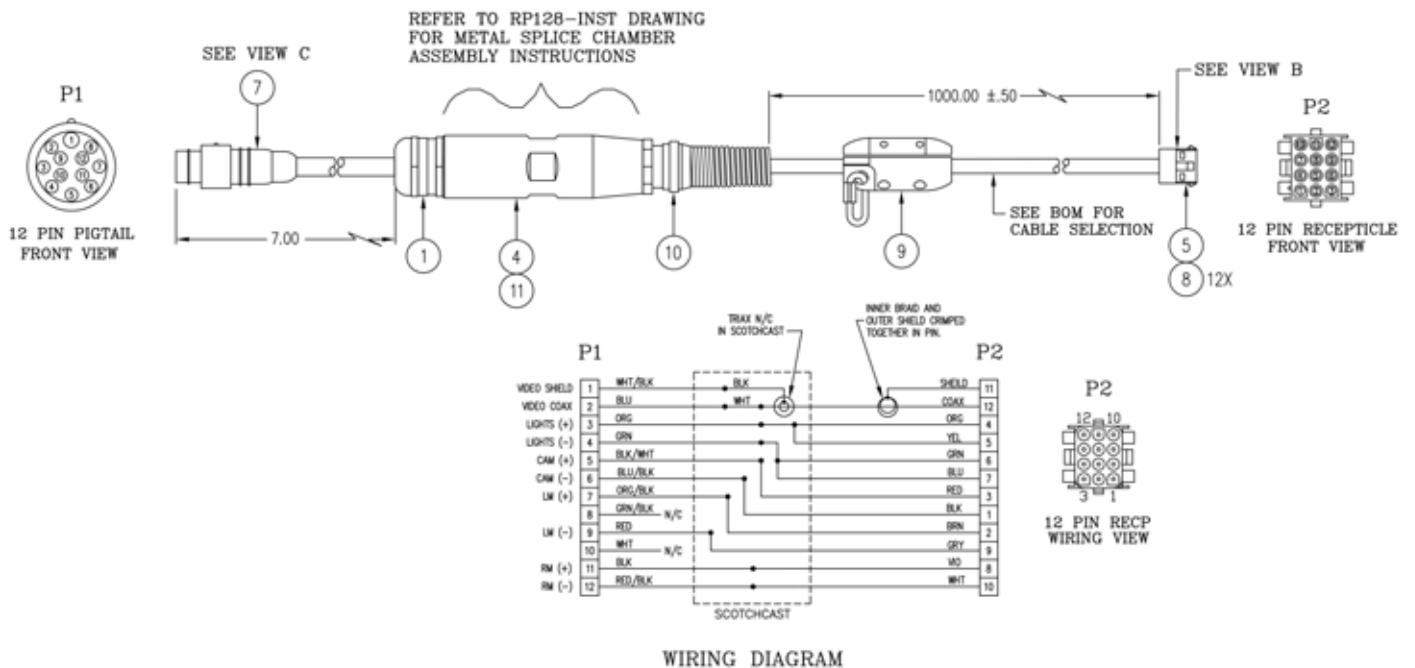
TV CABLES - GOLD INSPECTOR GENERAL DOLLY MAINLINE

CABLE ASSY, 1000' GLD, F/SPR, SMM, IGGY, P/N: SM354

FOR SCOTCHCAST CONFIGURATIONS



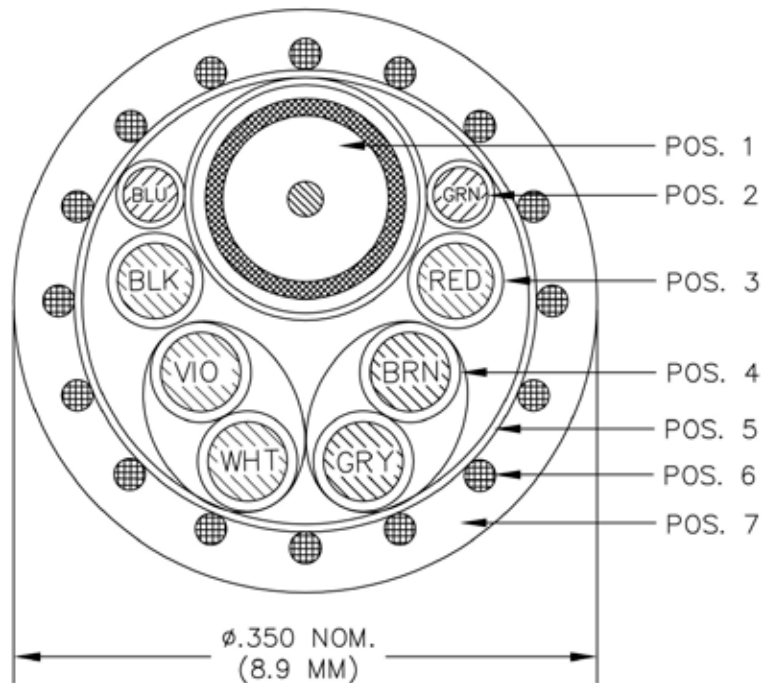
FOR METAL SPLICE CHAMBER CONFIGURATIONS



PLATINUM CABLE

PLATINUM CABLES

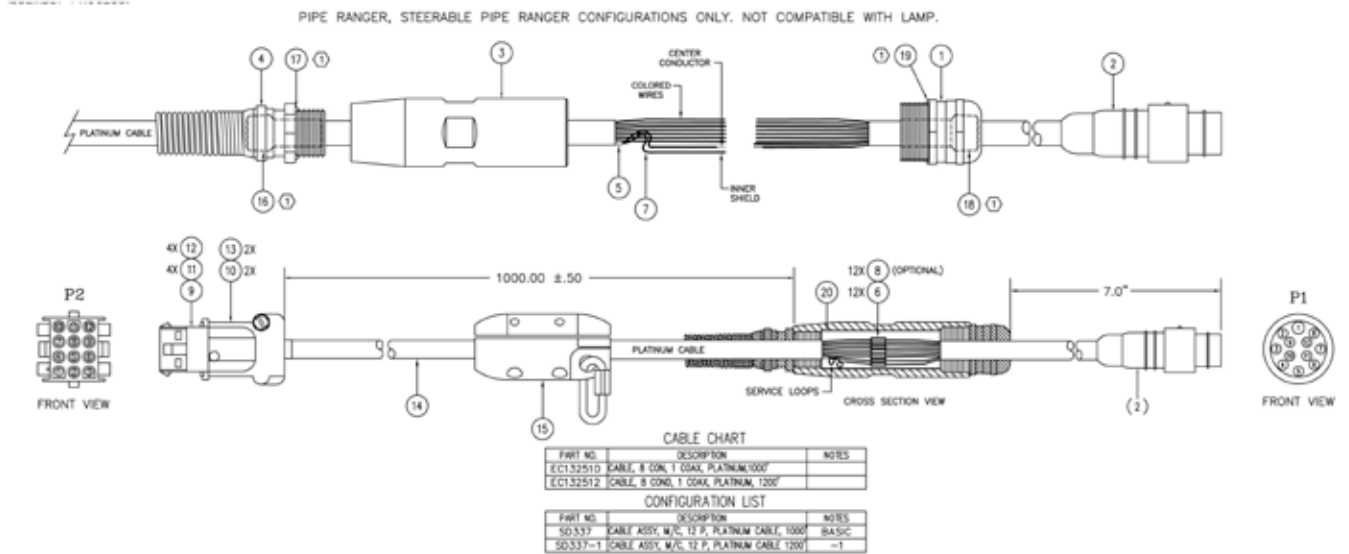
DESCRIPTION	P/N
CABLE,8COND,1 COAX,PLATIUM	EC1325
CABLE,8 CON,1 COAX,PLATINUM,500'	EC132505
CABLE,8 CON,1 COAX,PLATINUM,1000'	EC132510
CABLE,8 COND,1 COAX,PLATINUM,1200'	EC132512



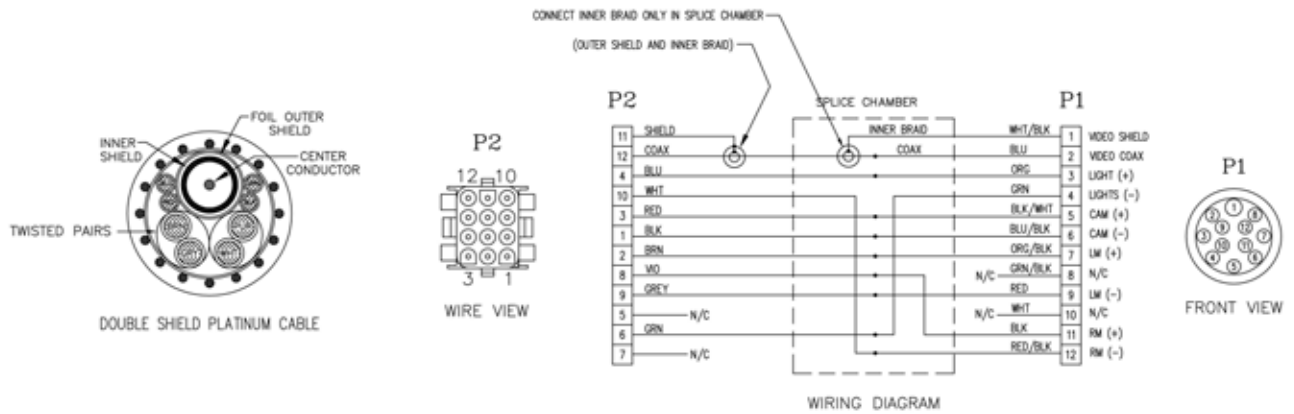
Platinum TV Cable, 8 Conductor, 1 Coax, P/N: EC1325

PLATINUM CABLE

CABLE ASSY, M/C, 12P, IGGY, PLTNM, 1000', P/N SD337-H

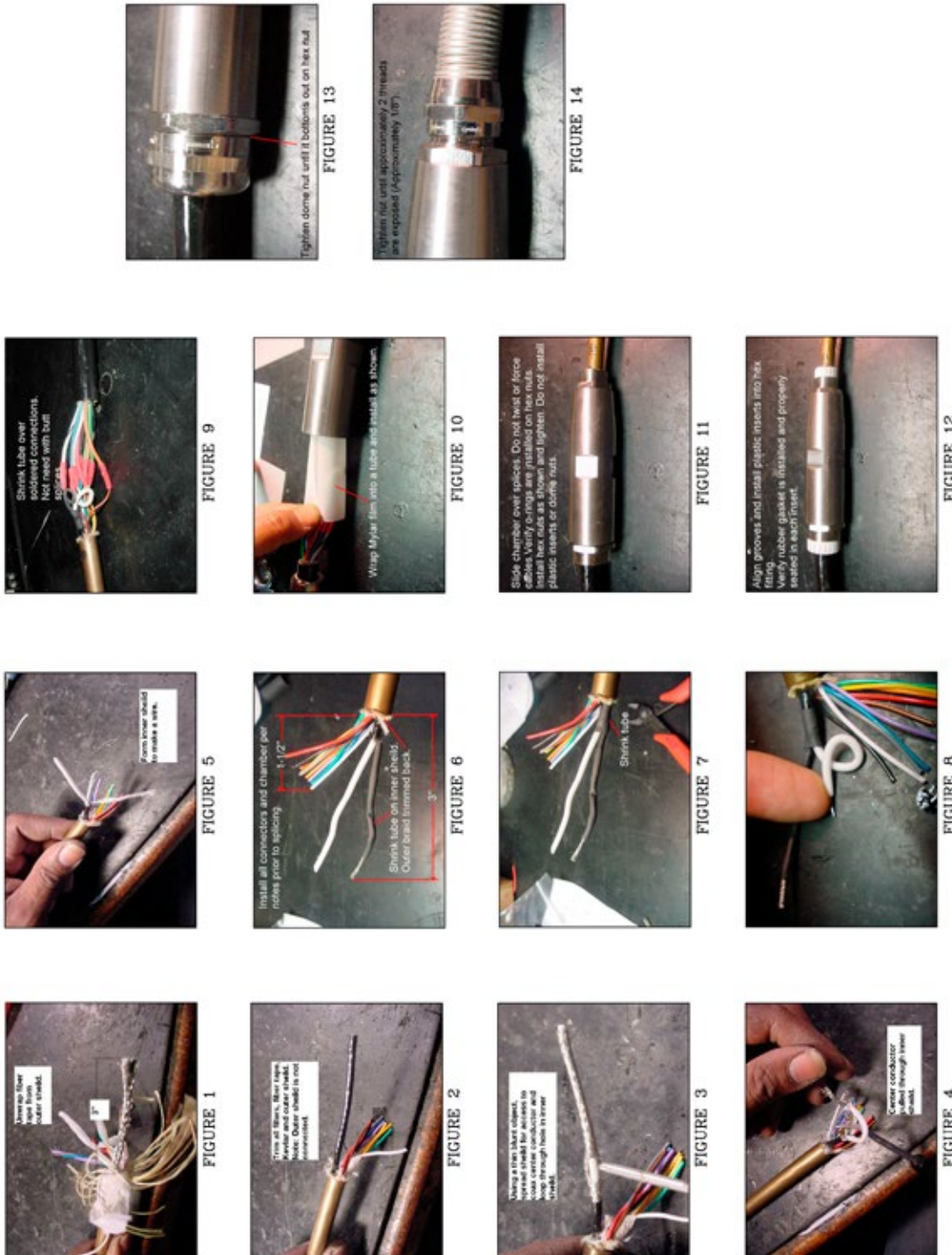


PIPE RANGER, STEERABLE PIPE RANGER CONFIGURATIONS ONLY. NOT COMPATIBLE WITH LAMP.



PLATINUM CABLE

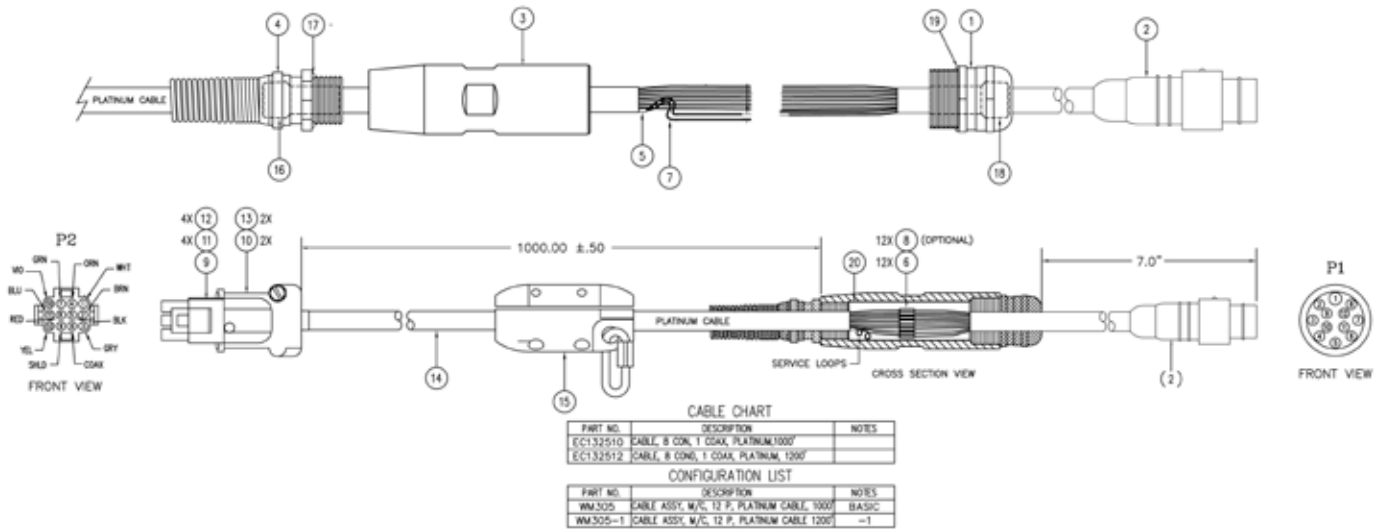
CABLE ASSY, M/C, 12P, IGGY, PLTNM, 1000', P/N SD337-H CONTINUED



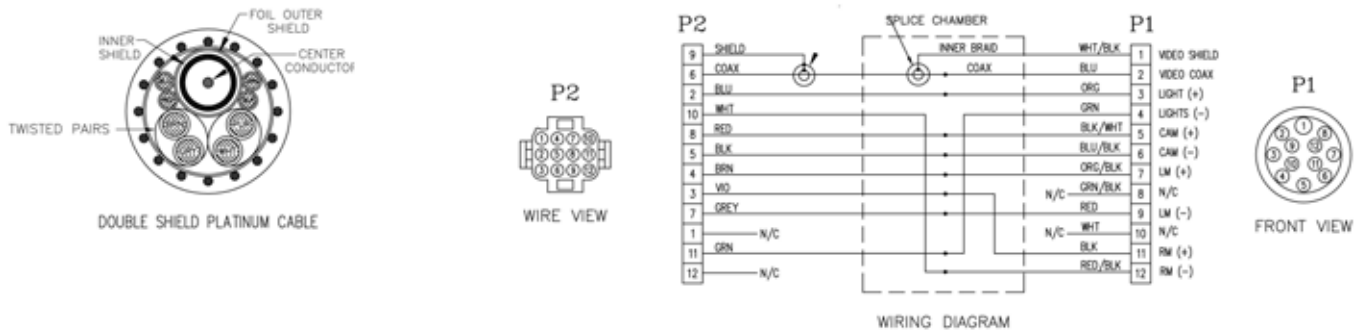
PLATINUM CABLE

CABLE ASSY, M/C 12P, PLT, 1K', MTL, HYT, P/N WM305-H

TRUCK MOUNTED PIPE RANGER, STEERABLE PIPE RANGER OR STEERABLE MUDMASTER CONFIGURATIONS ONLY. NOT COMPATIBLE WITH LAMP.

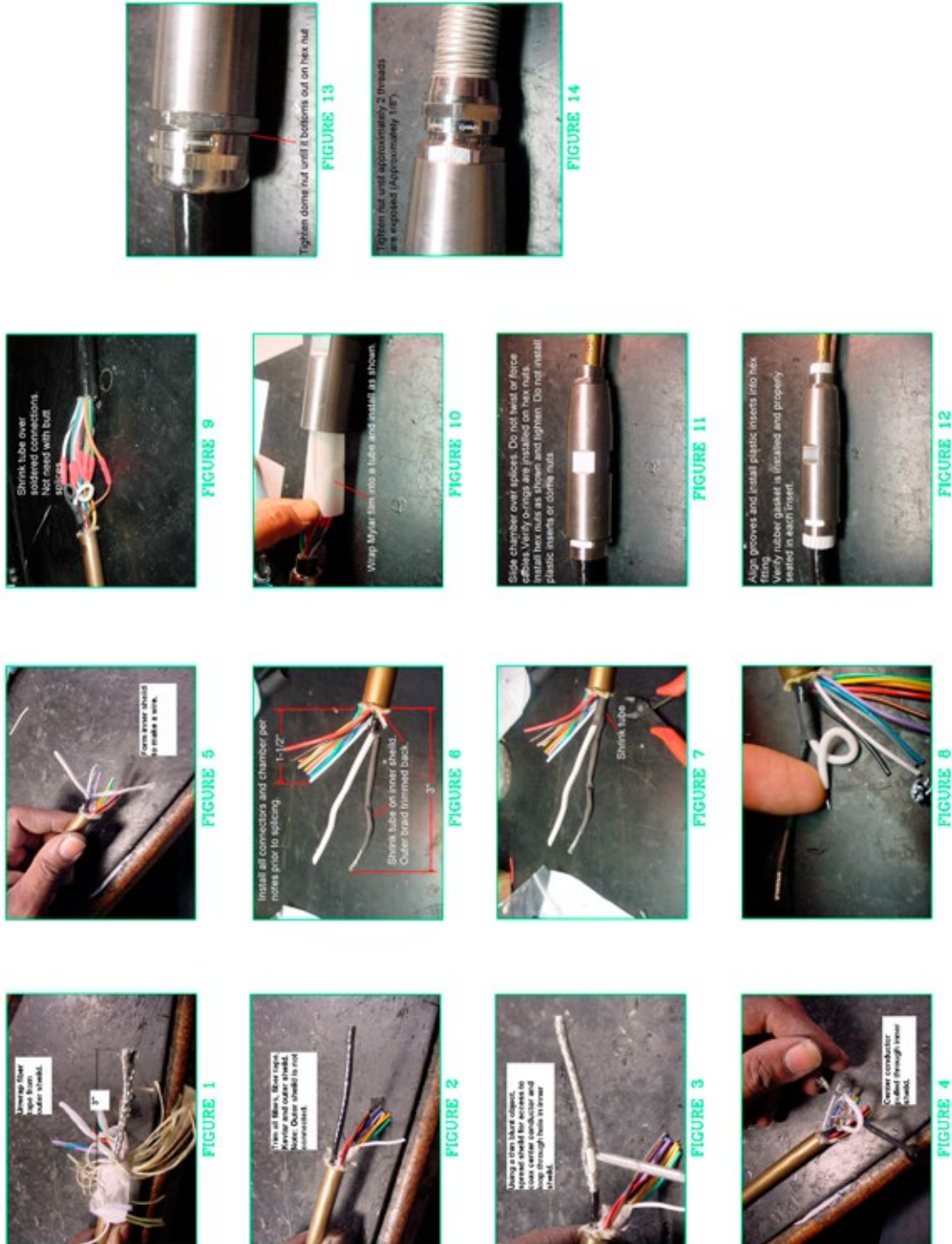


TRUCK MOUNTED PIPE RANGER, STEERABLE PIPE RANGER OR STEERABLE MUDMASTER CONFIGURATIONS ONLY. NOT COMPATIBLE WITH LAMP.



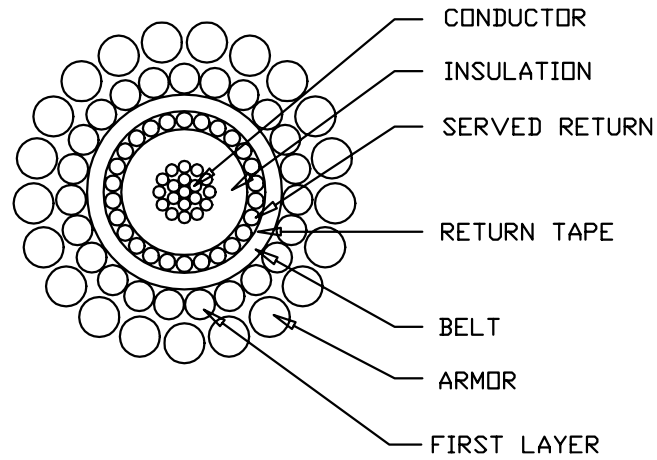
PLATINUM CABLE

CABLE ASSY, M/C 12P, PLT, 1K', MTL, HYT, P/N WM305-H CONTINUED

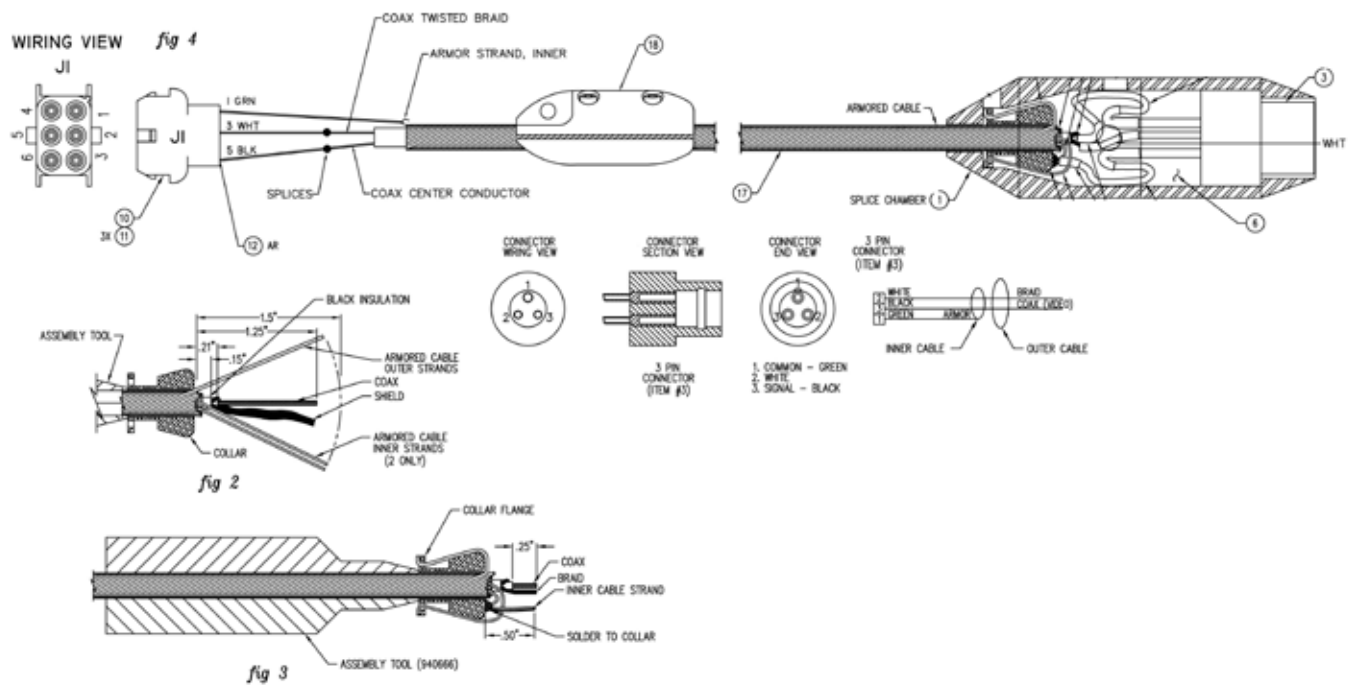


SINGLE-CONDUCTOR .250 CABLE

SINGLE-CONDUCTOR, .25" DIAMETER, P/N: 030577

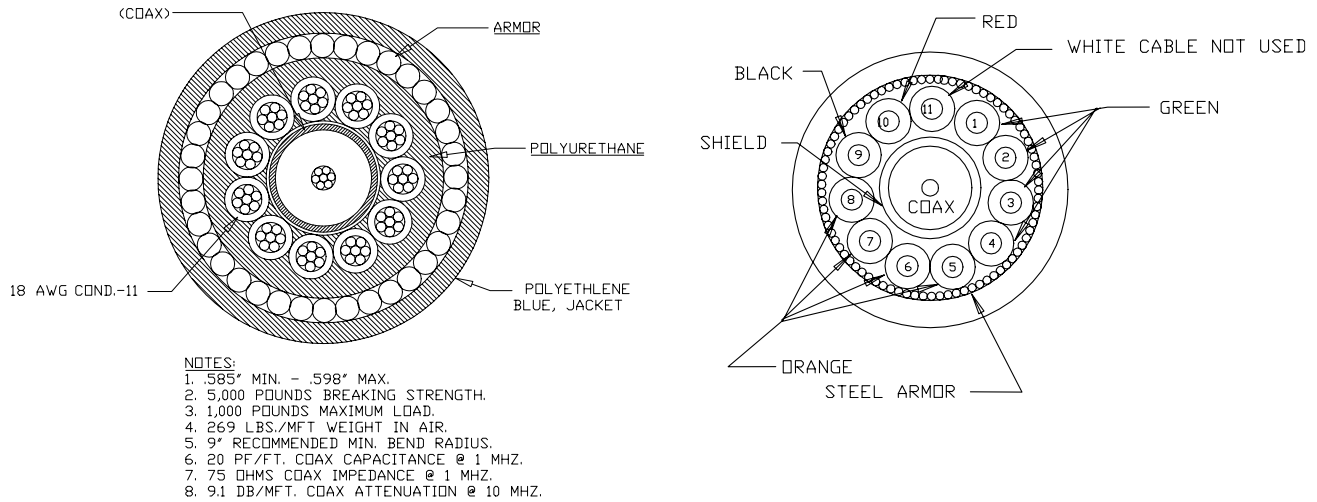


CABLE ASSY, S/C SHORTY, 2000', P/N: TR547

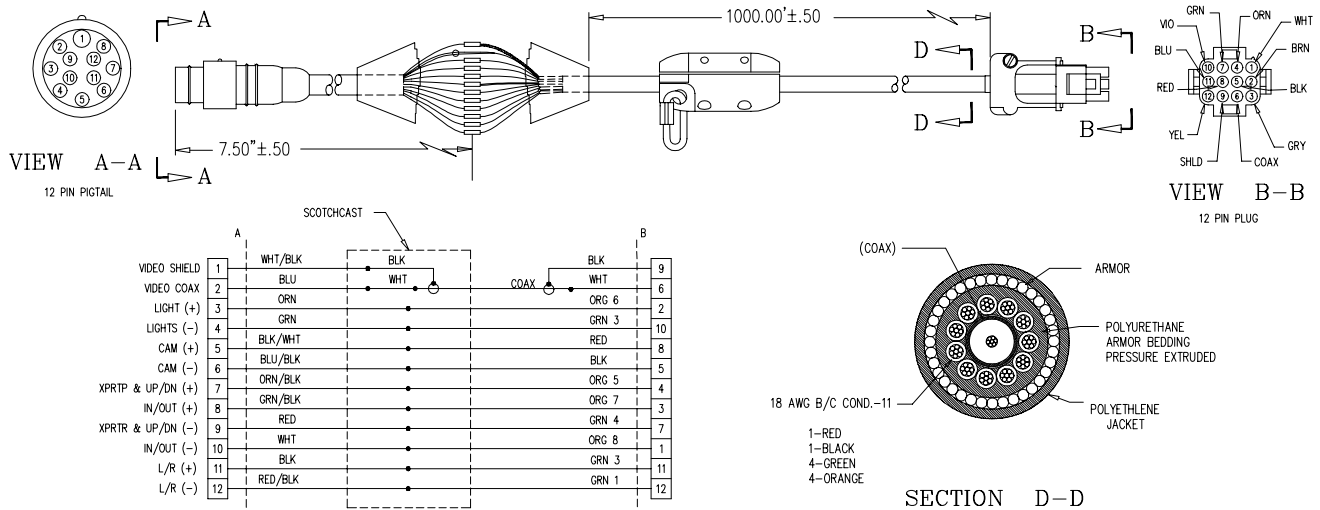


BLUE STEEL-ARMORED CABLE

MULTI-CONDUCTOR, BLUE STEEL ARMOR, P/N: 030554



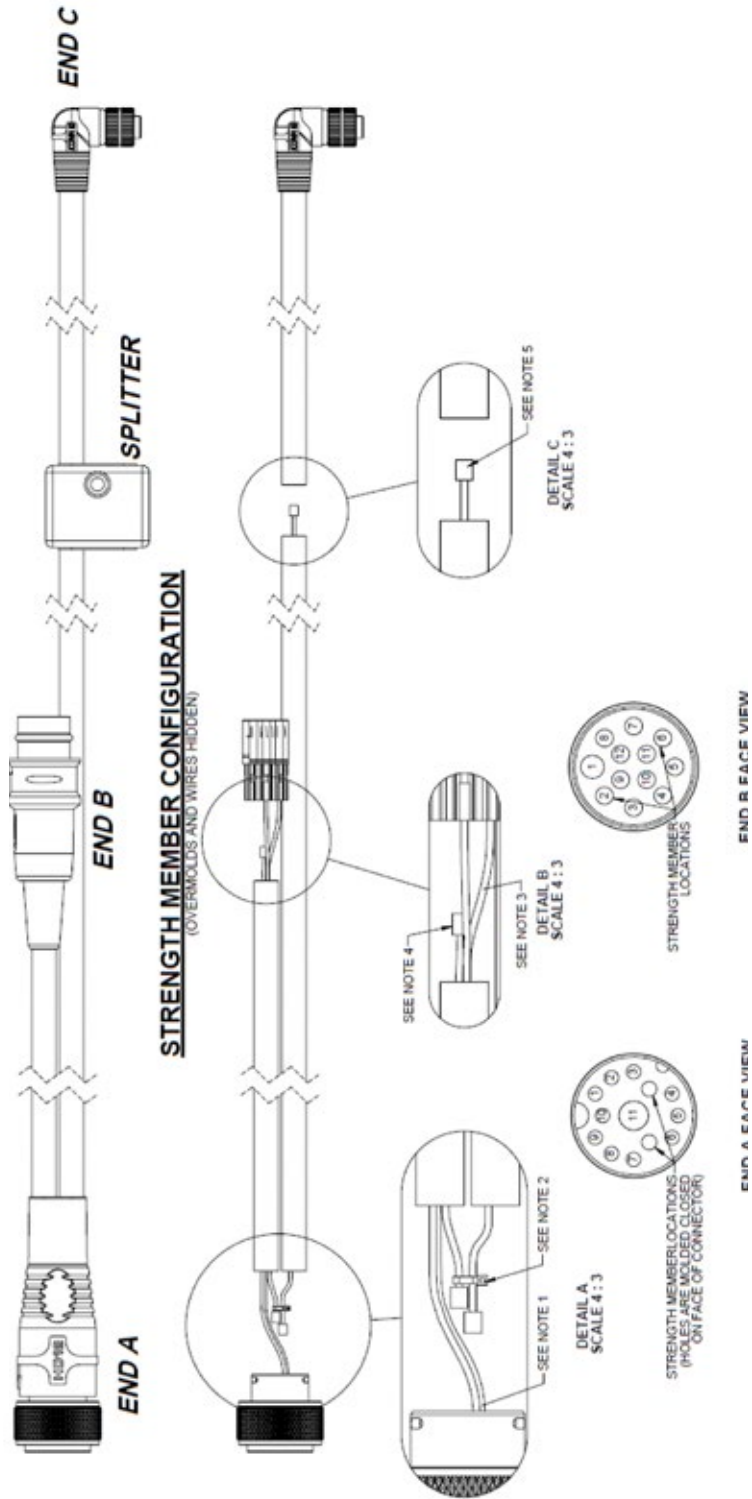
CABLE ASSY, STEEL ARMORED, M/C, 1000', W/12-PIN, P/N: 030551



HD ADAPTER CABLES

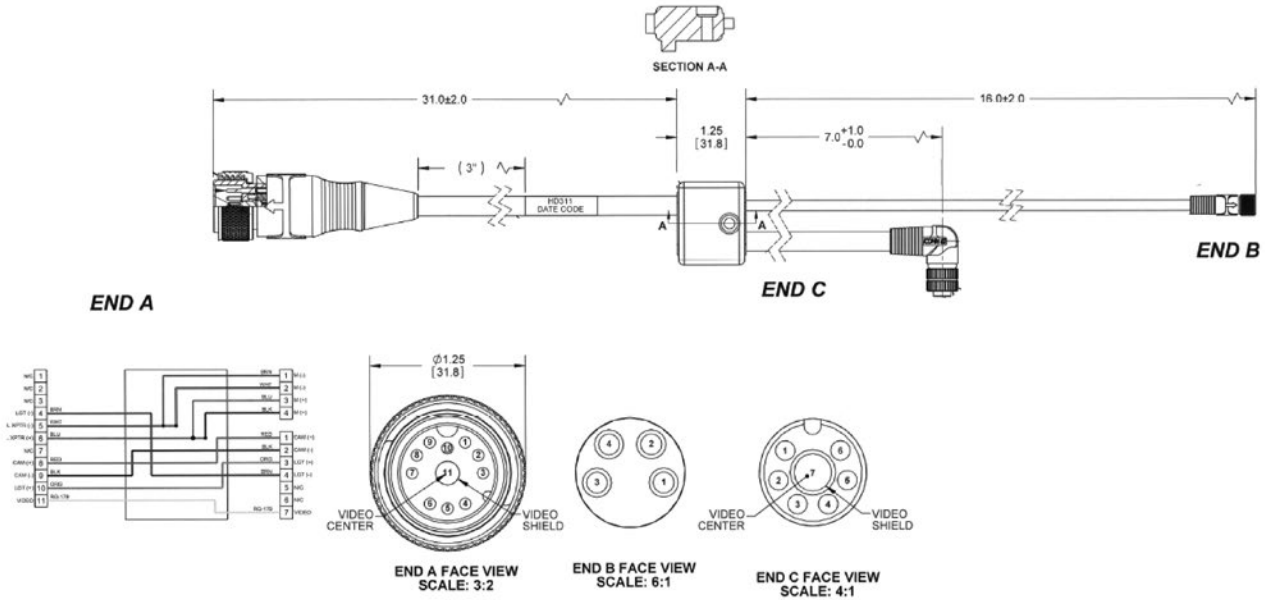
ADAPTER,CABLE,DUC,HD12>PR/SPR/SMM, P/N HD308

CONFIGURATION LIST	
PART NUMBER	DESCRIPTION
HD308	ADAPTER,CABLE,DUC,HD12>PR/SPR/SMM, 32"
HD308-1	ADAPTER,CABLE,DUC,HD12>PR/SPR,W/LIFT, 40"
HD308-2	ADAPTER,CABLE,DUC,HD12>SMM,52"

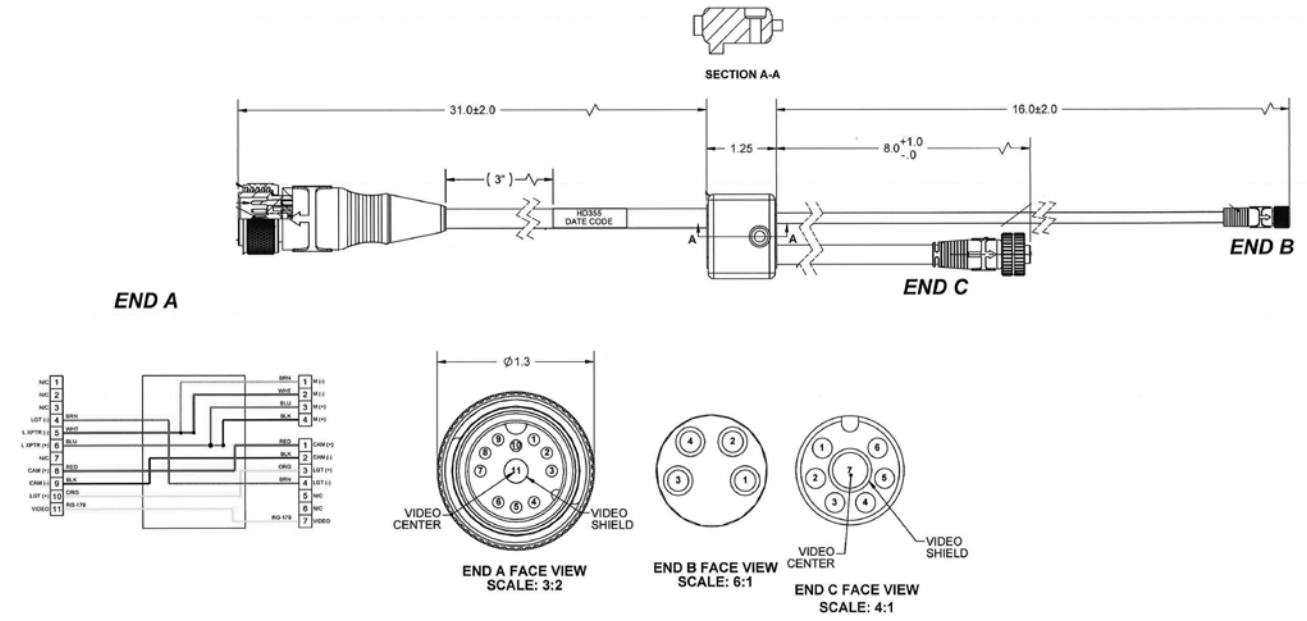


HD ADAPTER CABLES

CABLE ASSY, HD12>US21 W/ HD CAM, P/N HD311

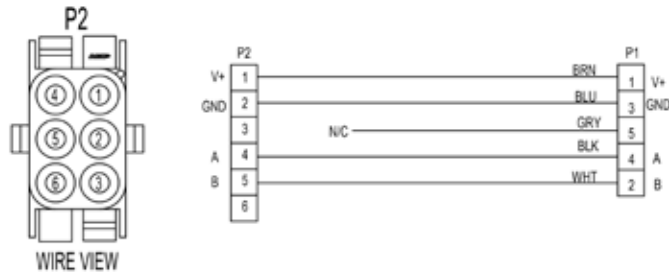
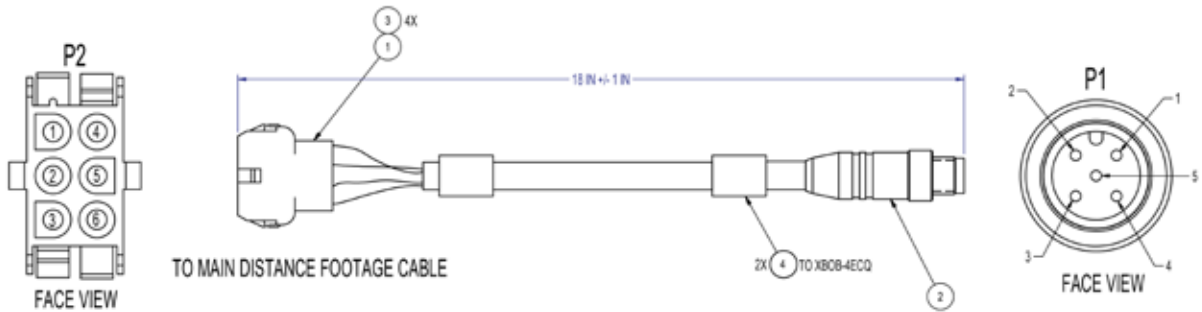


CABLE ASSY, HD12>US21 W/ HD CAM, P/N HD355

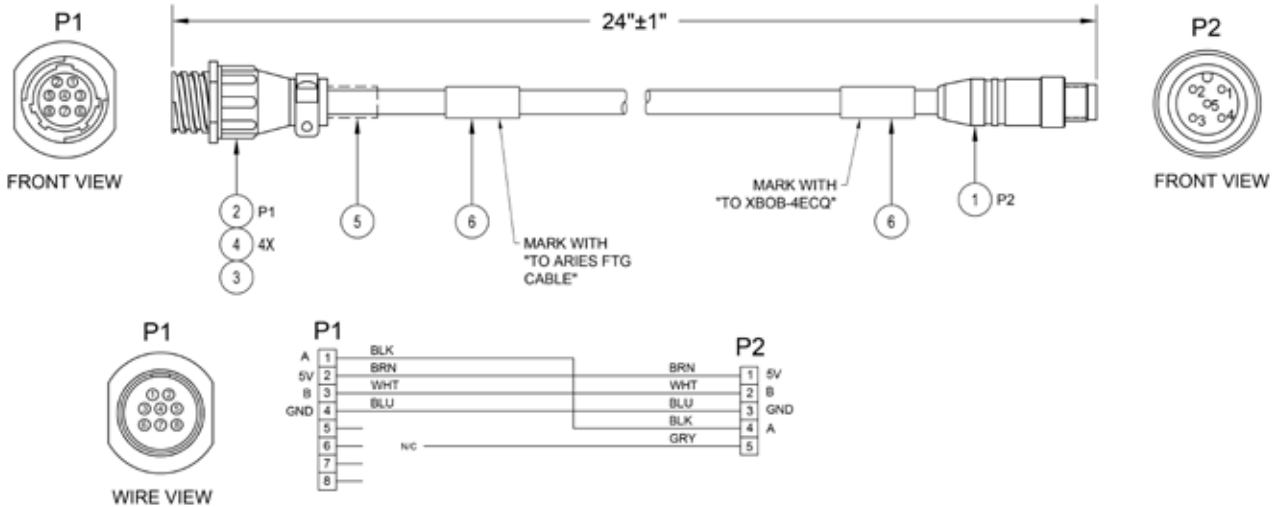


XBOB ADAPTER CABLES

CONNECTOR, RECEPTACLE, W/6-PINS, P/N MS370

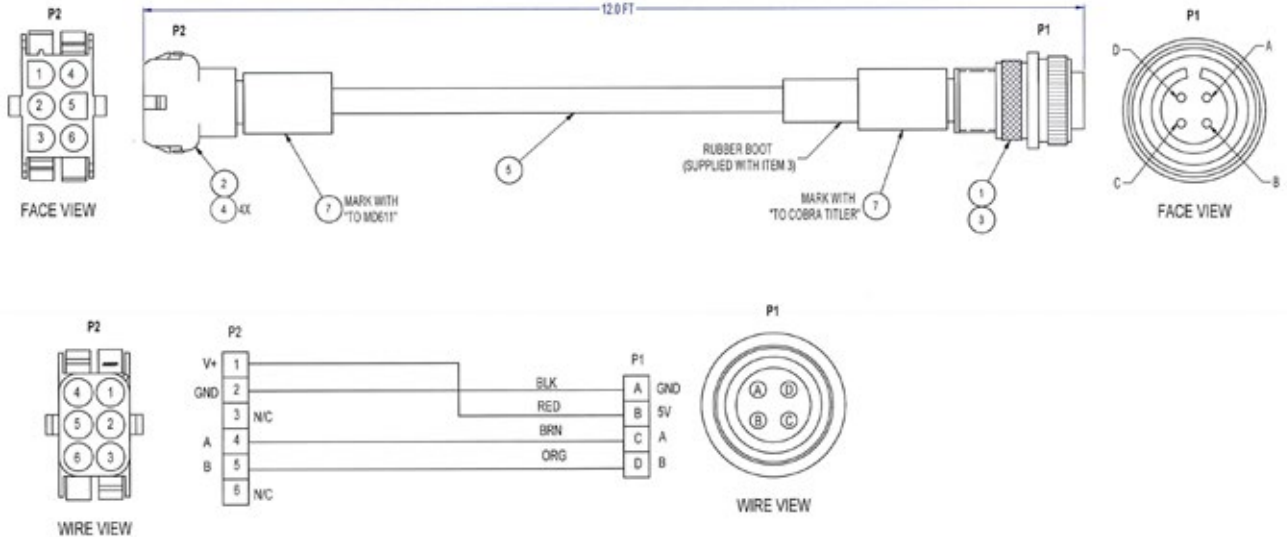


CABLE ASSY, XBOB4-ECQ TO ARIES TRUCK, P/N MS371

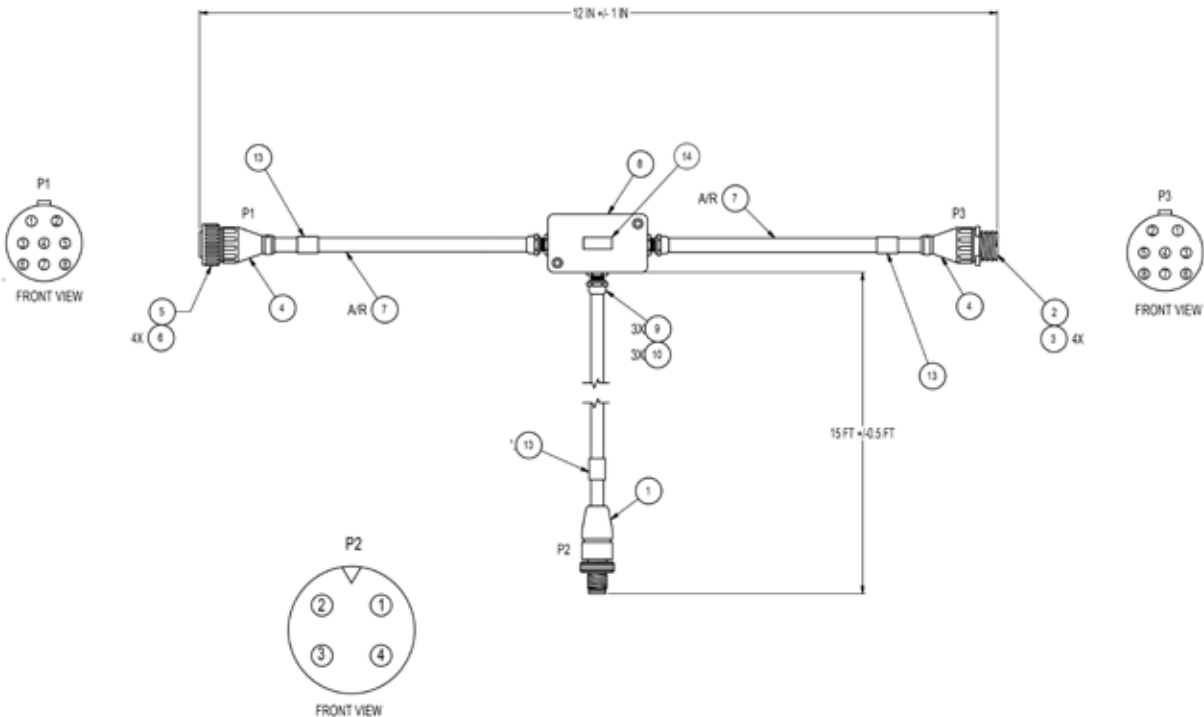


XBOB ADAPTER CABLES

CABLE ASSY, COBRA TITLER TO MD611, P/N MS373

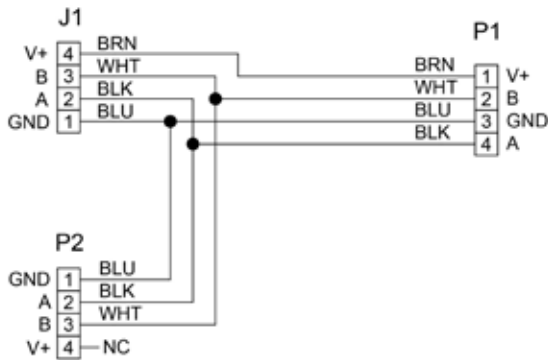
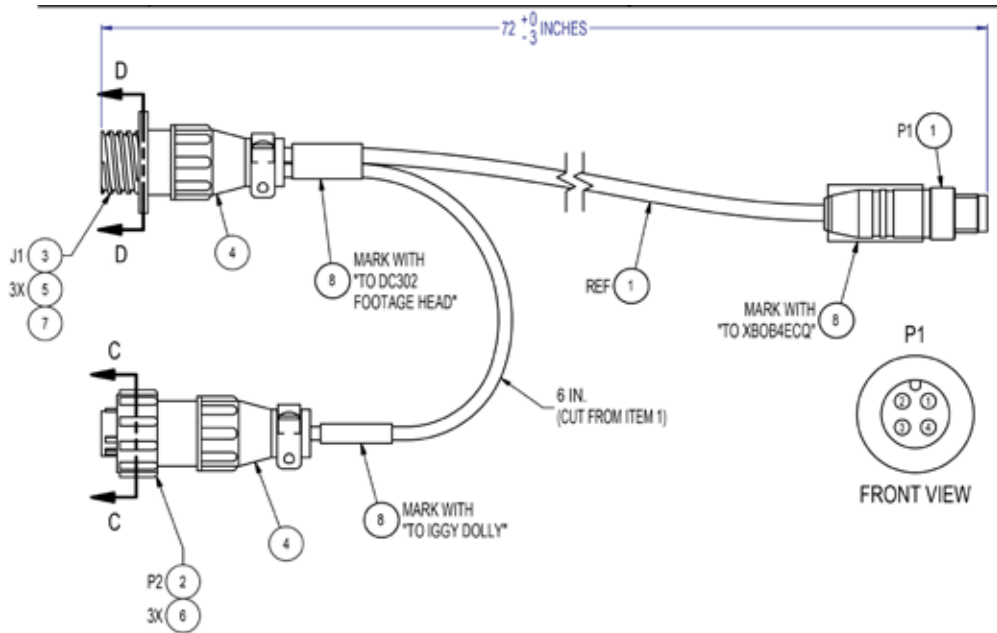
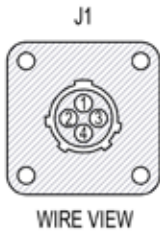


CABLE ASSY, XBOB4ECQ>ARIES PORT REEL, 5V, P/N MS374



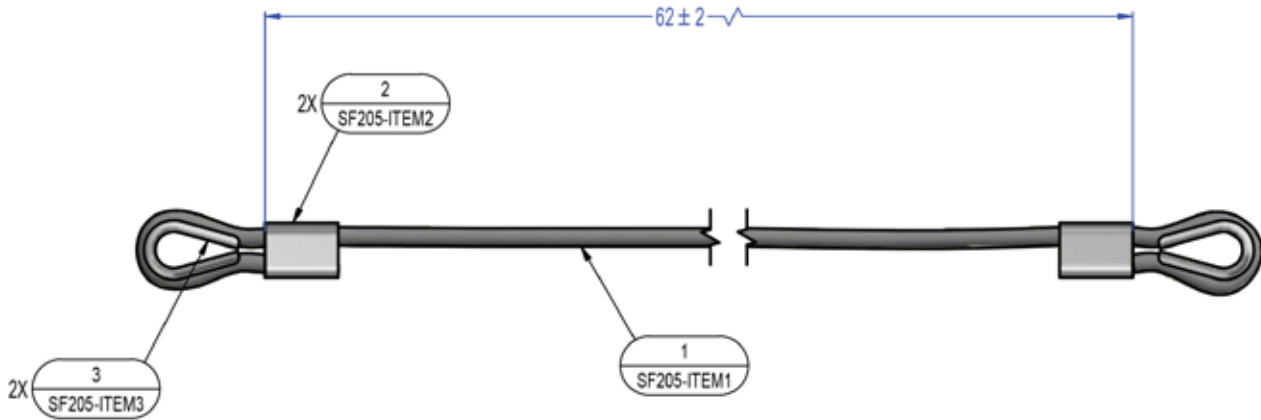
XBOB ADAPTER CABLES

CABLE ASSY, XBOB 4 ECQ TO IGGY+ DOLLY, P/N MS372

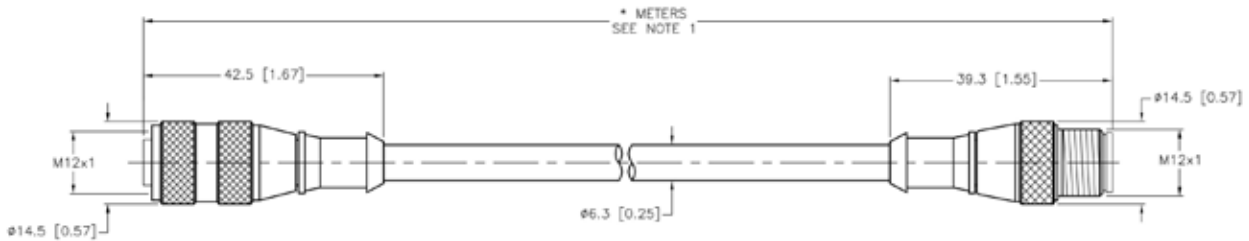


MULTI-SENSOR SYSTEMS - SOLID FX

CABLE, TOW, 1/4, 65", NYLON JKT, ST P/N SF205



CABLE, TURCK, SOLID FX, CAMERA, .5M P/N SF393

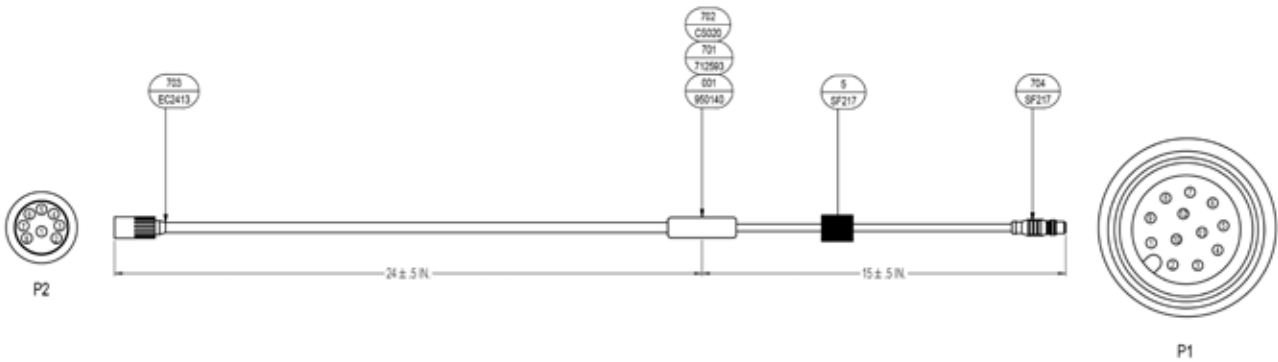


CABLE LENGTH	TOLERANCE*
ALL LENGTHS	+ 4% (OR 50mm) OF LENGTH - 0% (OR 0mm) OF LENGTH WHICHEVER IS GREATER
STRIP LENGTH	TOLERANCE*
0-7mm	±0.5mm
8-29mm	±1.0mm
30-49mm	±2.0mm
50-69mm	±3.0mm
70-100mm	±4.0mm
OVER 100mm	±5.0mm

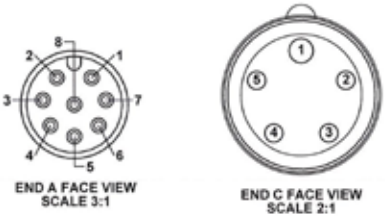
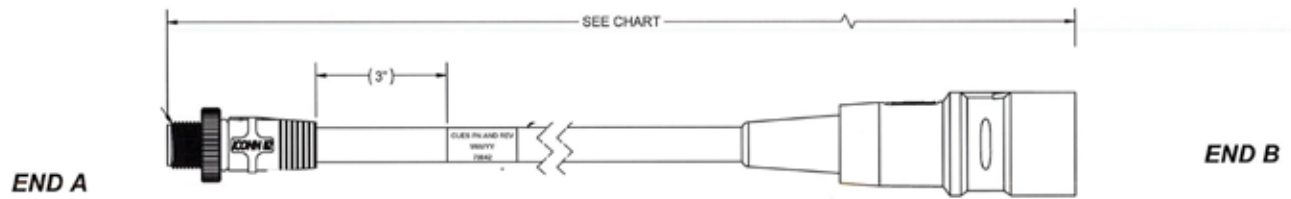
* UNLESS OTHERWISE SPECIFIED

MULTI-SENSOR SYSTEMS - SOLID FX

CABLE ASSY, SONAR, SOLID FX, IMAGENEX P/N SF369



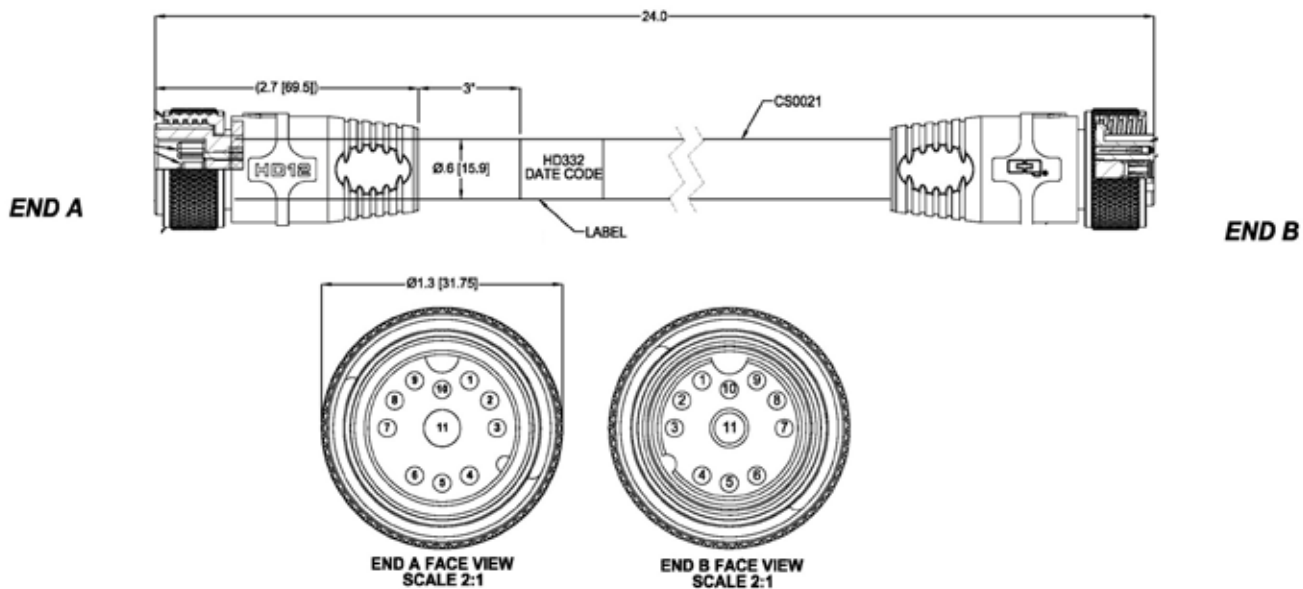
CABLE, OZ2,SOLIDFX P/N SF615



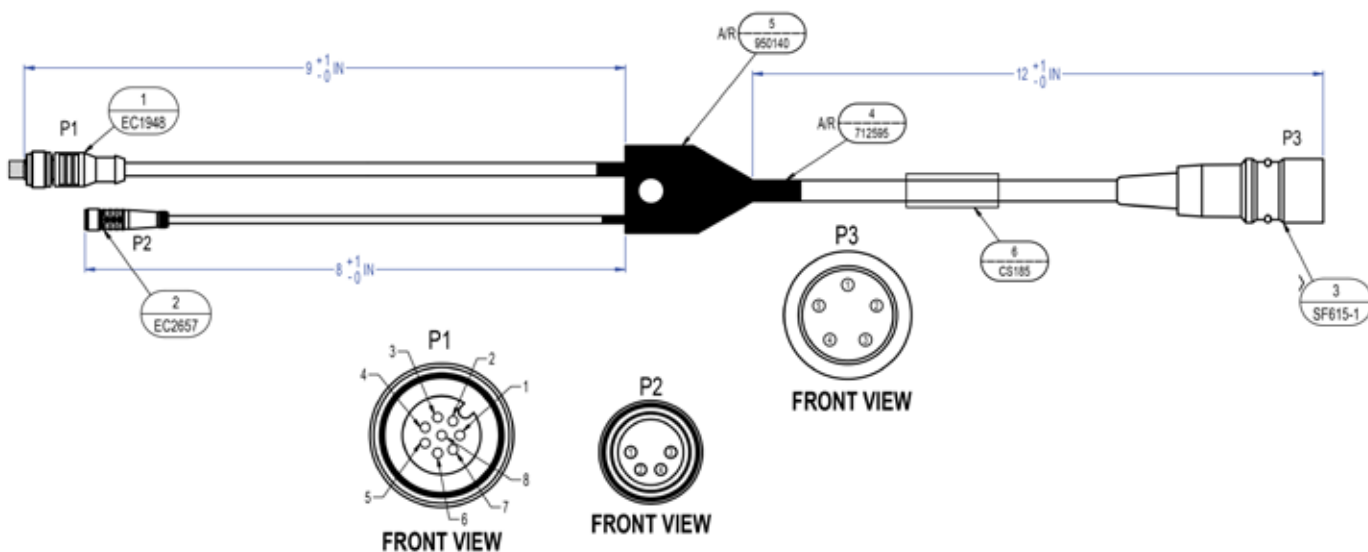
CONFIGURATION LIST	
PART NUMBER	DESCRIPTION
SF615	CABLE, 22 IN, OZ2, SOLIDFX
SF615-1	CABLE, 55 IN, OZ2, SOLIDFX, SMM

MULTI-SENSOR SYSTEMS - SOLID FX

CABLE ASSY, HD12 MALE > HD12, FEM & COAX P/N HD332

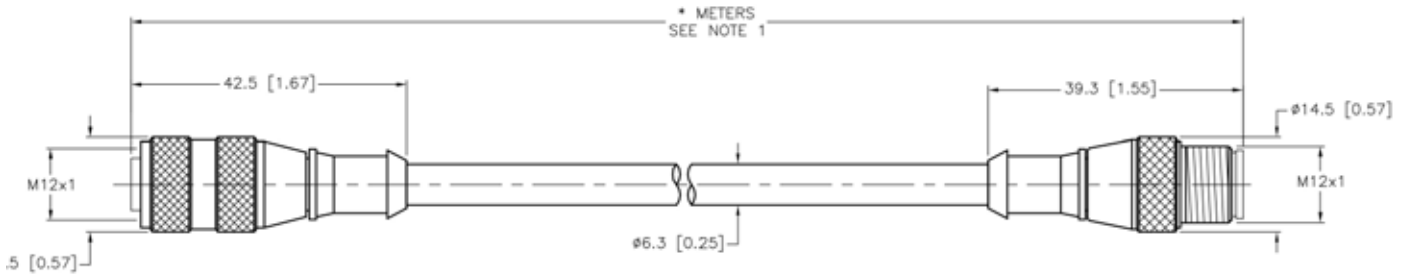


CABLE,SOLIDFX,OZ2+REAR CAMERA P/N SF618



MULTI-SENSOR SYSTEMS - SOLID FX

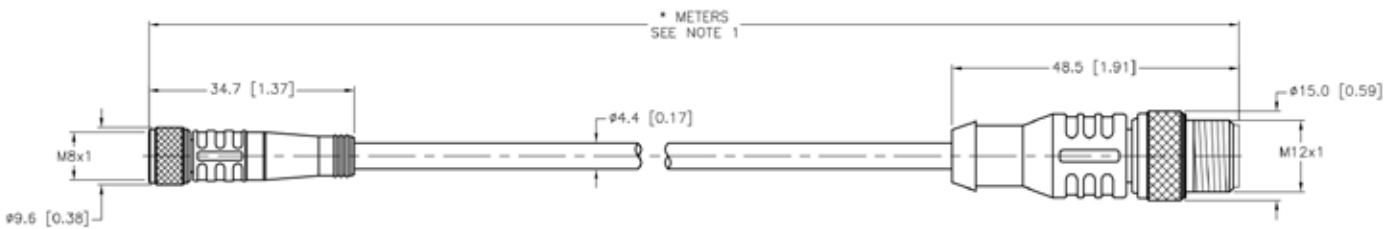
CABLE, TURCK, SOLID FX,CAMERA,1.8M P/N SF394



CABLE LENGTH	TOLERANCE *
ALL LENGTHS	+ 4% (OR 50mm) OF LENGTH - 0% (OR 0mm) OF LENGTH WHICHEVER IS GREATER
STRIP LENGTH	TOLERANCE *
0-7mm	±0.5mm
8-20mm	±1.0mm
30-40mm	±2.0mm
50-60mm	±3.0mm
70-100mm	±4.0mm
OVER 100mm	±5.0mm

* UNLESS OTHERWISE SPECIFIED

CABLE, SFX, REAR VIEW CAM P/N SF603



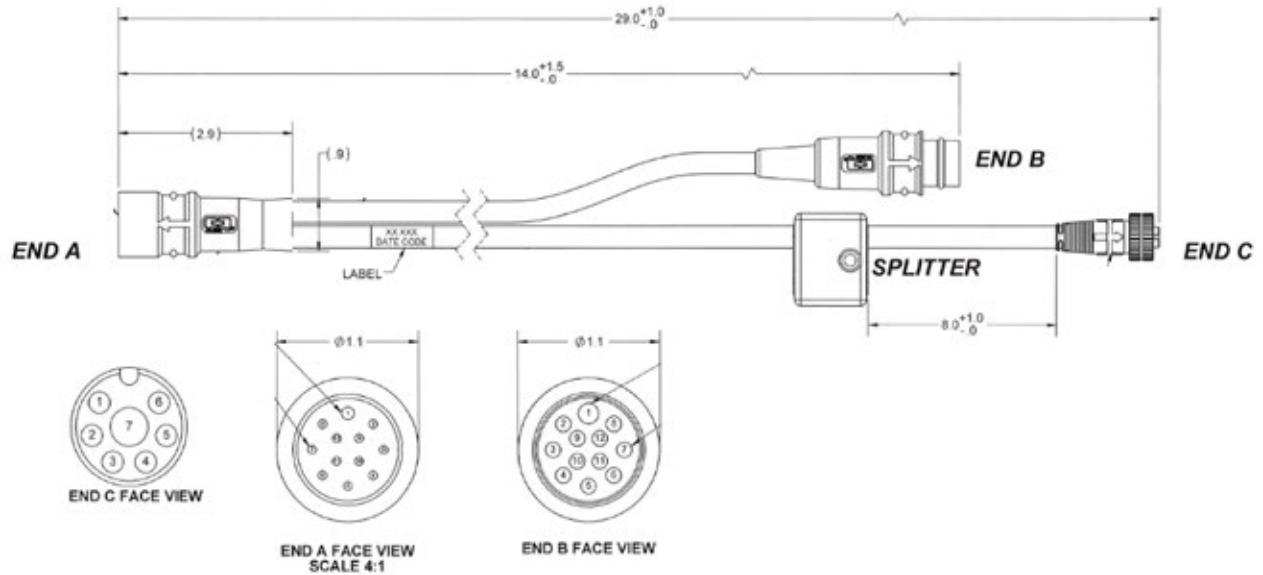
CABLE LENGTH	TOLERANCE *
ALL LENGTHS	+ 4% (OR 50mm) OF LENGTH - 0% (OR 0mm) OF LENGTH WHICHEVER IS GREATER
STRIP LENGTH	TOLERANCE *
0-7mm	±0.5mm
8-20mm	±1.0mm
30-40mm	±2.0mm
50-60mm	±3.0mm
70-100mm	±4.0mm
OVER 100mm	±5.0mm

* UNLESS OTHERWISE SPECIFIED

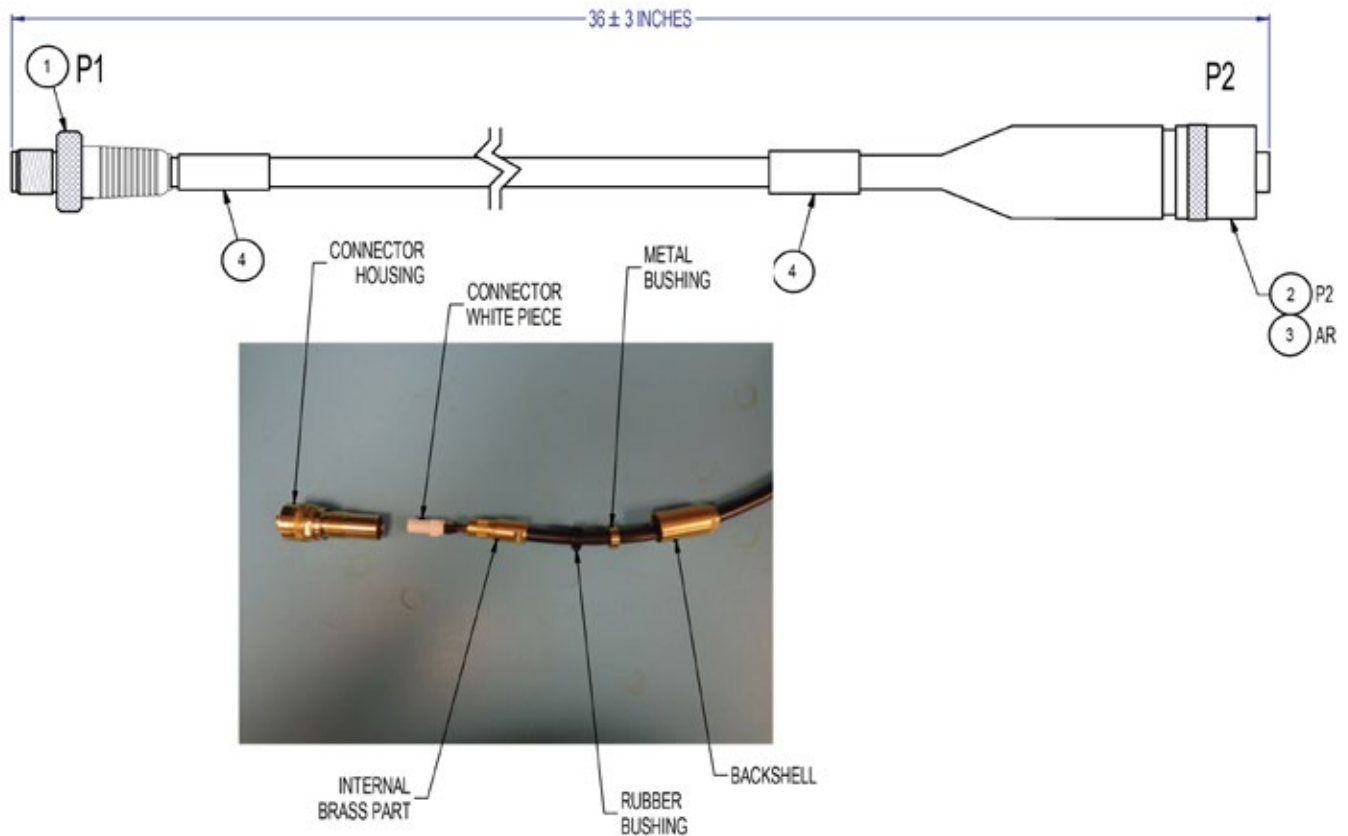
CONFIGURATION TABLE		
PART NO	DESCRIPTIONS	TURCK P/N
SF603	CABLE, SFX, REAR VIEW CAM, 2M	PKG 4M-0.2 RSC 6TCS15380
SF603-1	CABLE, SFX, REAR VIEW CAM, 1.8M	PKG 4M-1.8 RSC 6TCS15380

MULTI-SENSOR SYSTEMS - CATVS

ADAPTER, CATVS, LEGACY 12 PIN > SPR, 29", P/N HD352

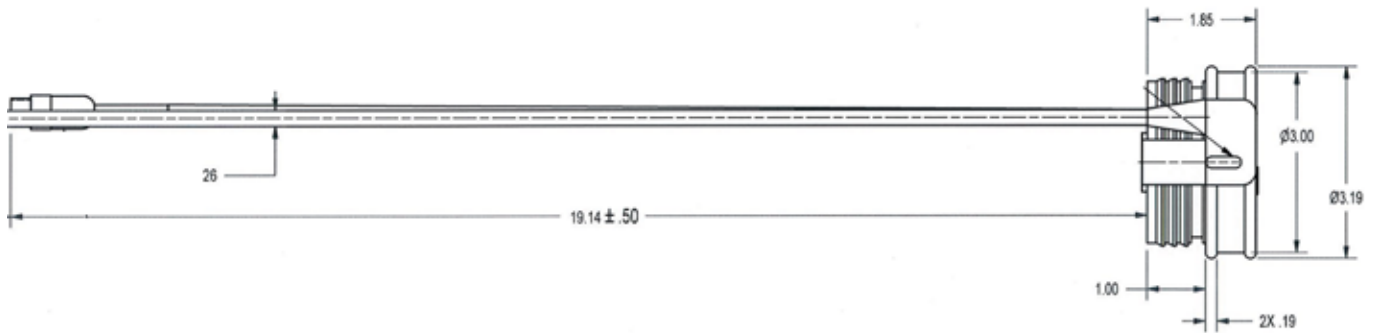


CABLE ASSY, CATVS, TX TO M.E. SONAR, P/N SF342

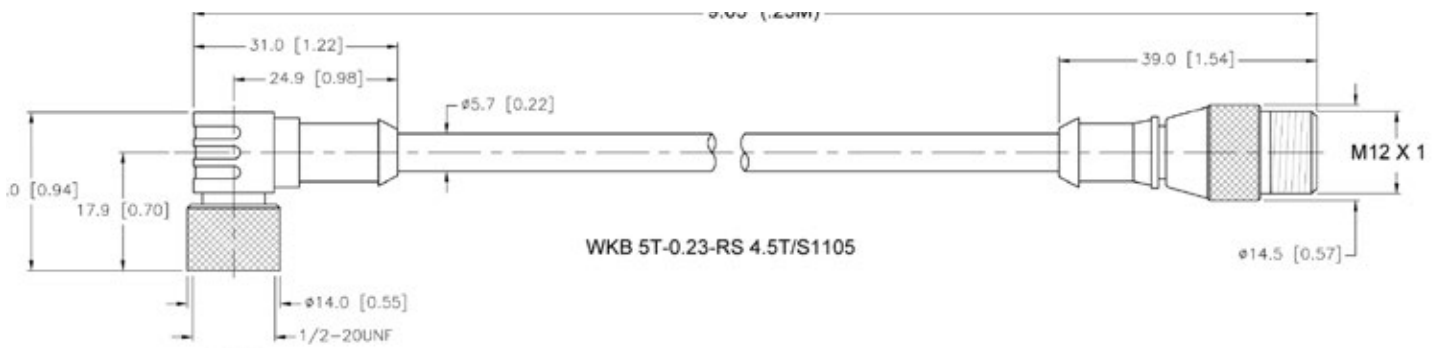


MULTI-SENSOR SYSTEMS - CATVS

Y-ELIMINATOR, 90 DEGREE, W/TAP, LONG CABLE, P/N WS123



CABLE ASSY, PR/SPR > PWR LIFT F/ HD CAM, P/N HD313



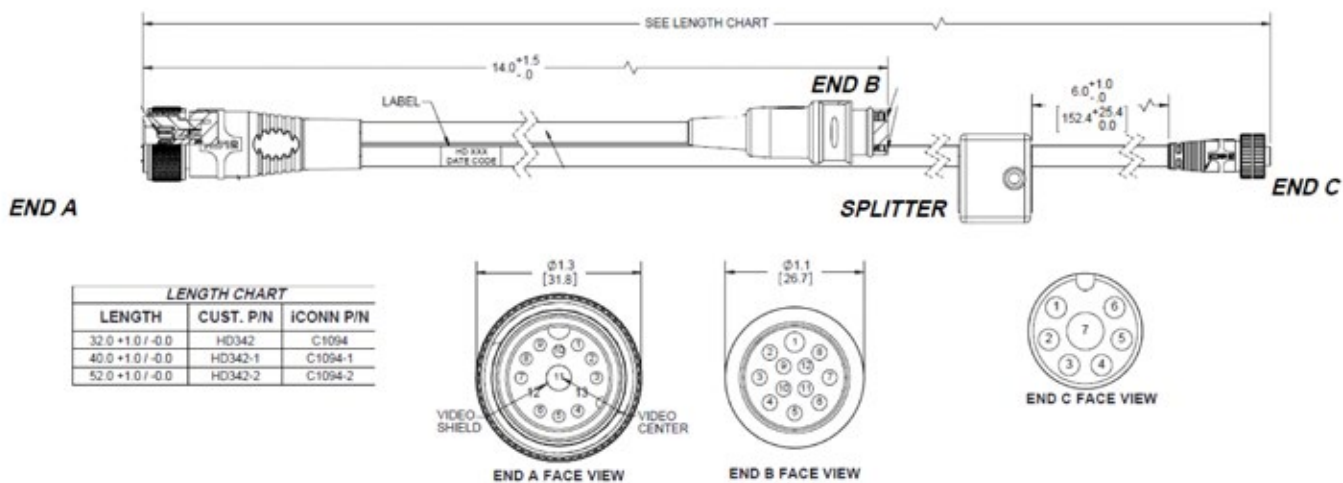
WKB 5T-0.23-RS 4.5T/S1105

CONFIGURATION TABLE		
PART NO	DESCRIPTIONS	TURCK PN
SF803	CABLE, SFX, REAR VIEW CAM, 2M	PKG 4M-0.2 RSC 8TCS15380
SF803-1	CABLE, SFX, REAR VIEW CAM, 1.9M	PKG 4M-1.9 RSC 8TCS15380

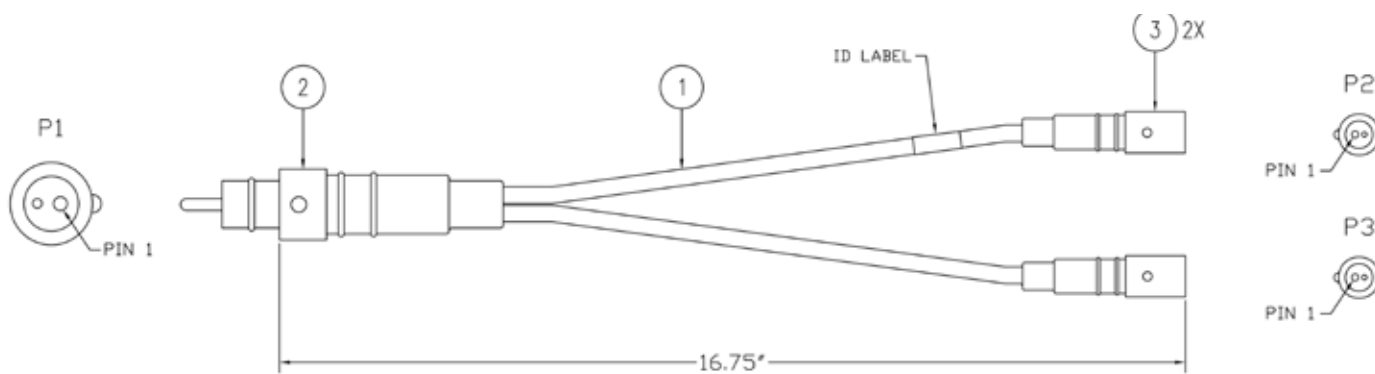
CABLE LENGTH	TOLERANCE
ALL LENGTHS	+ 4% (OR 50mm) OF LENGTH - .05% (OR 6mm) OF LENGTH WHICHEVER IS GREATER
STRIP LENGTH	TOLERANCE
0-7mm	±0.5mm
8-29mm	±1.0mm
30-49mm	±2.5mm
50-69mm	±3.0mm
70-100mm	±4.0mm
OVER 100mm	±5.0mm

MULTI-SENSOR SYSTEMS - CATVS

ADAPTER, HD12>CATVS, STRAIGHT, 32", P/N HD342-2

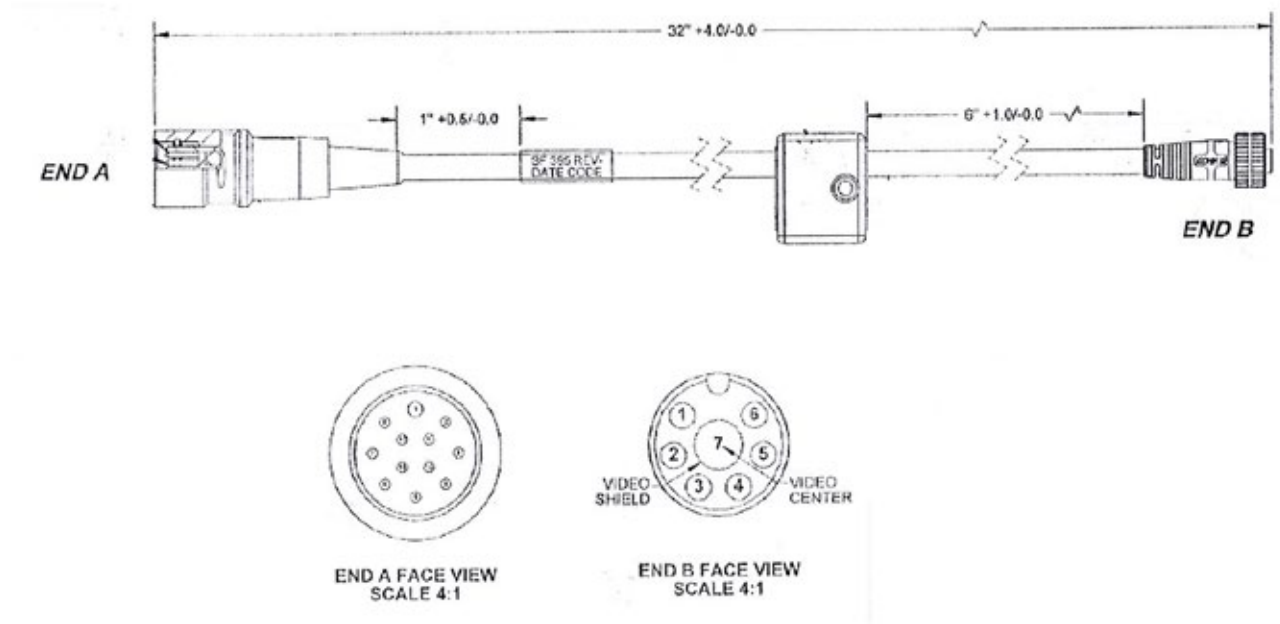


CABLE, LIGHTHEAD, HPL 10+, P/N 160627



MULTI-SENSOR SYSTEMS - CATVS

CABLE, CUSTOM 12 POSITION MALE, TO I12 8 POSITION MALE, P/N SF395



2P MALE TO 12P FEMALE / 12P MALE TO 7P FEM I12, P/N HD347

